



KT-LED18T8-48P-835-D-VDIM

DIMMABLE T8 LED LAMP

DESCRIPTION

0–10V Dimmable DirectDrive T8 LED Tube | 3500K | >80 CRI | 120–277V Input



LAMP TYPE: Linear
BULB TYPE: T8 LED
BASE TYPE: G13 (Medium Bi-Pin)
WATTAGE: 18W
COLOR TEMPERATURE: 3500K
DIMMING TYPE: 0–10V
WARRANTY: 5 Years



PRODUCT FEATURES

- Dimmable via 0–10V dimming controls, dim-to-off below 5%
- Replacement for conventional fluorescent lamp
- 50,000+ hour lifetime
- Approximately 40% more energy efficient than standard F32T8 lamps
- Environmentally friendly: No mercury used
- Instant start up
- Frosted lens eliminates pixelation
- UL classified
- Operating temperature: –20°C/–4°F to 55°C/131°F
- Integral driver (non-isolated), eliminates the need for external driver or ballast
- 100+ lumens per watt
- Plastic/Aluminum construction

OPERATING SPECIFICATIONS

ELECTRICAL CHARACTERISTICS

Input Voltage	Power Consumption	Power Factor	Input Current
120–277Vac	18W	>0.9	0.15A @ 120V 0.07A @ 277V

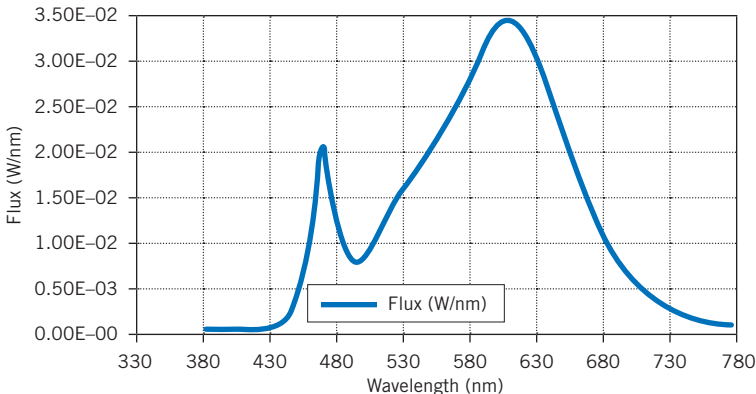
PHOTOMETRIC CHARACTERISTICS

Color Temperature (CCT)	3500K
Luminous Flux	1950 lm
Color Rendering Index (CRI)	>80
Efficacy	108 lm/W
Beam Angle	120°

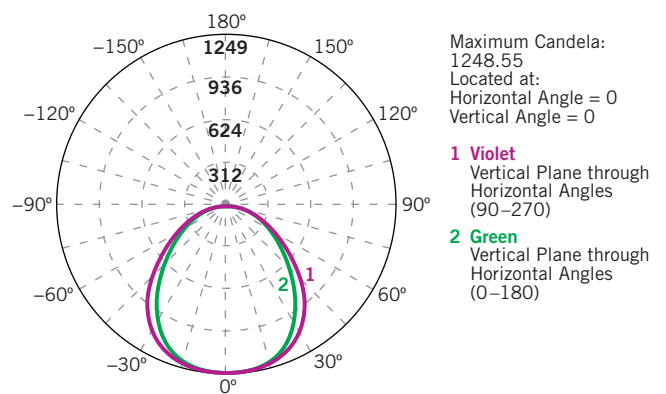
RATED LIFE

L70 (Hours)	50,000
-------------	--------

SPECTRAL DISTRIBUTION



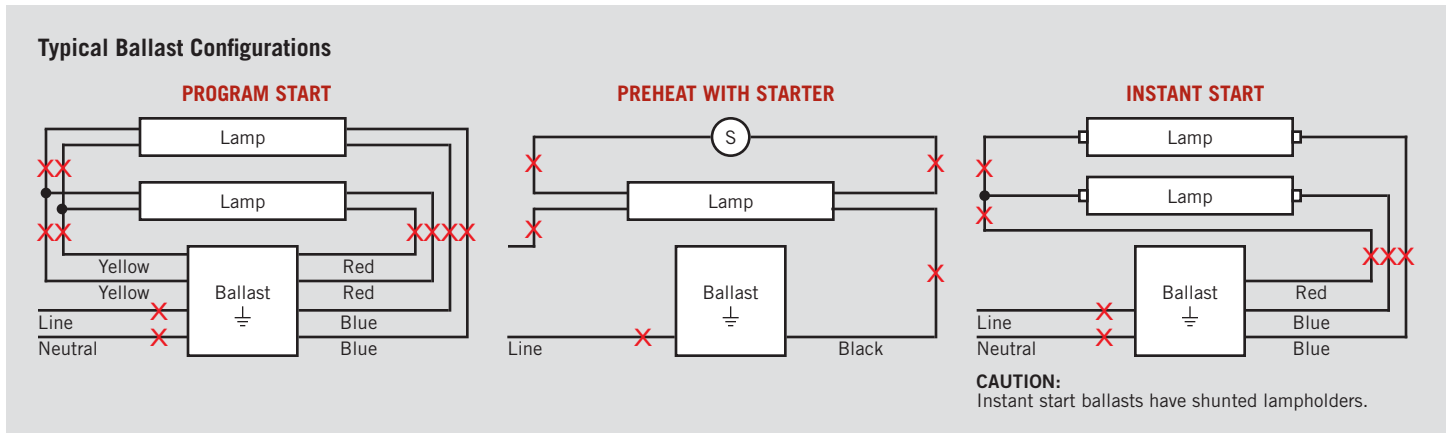
POLAR CANDELA DISTRIBUTION



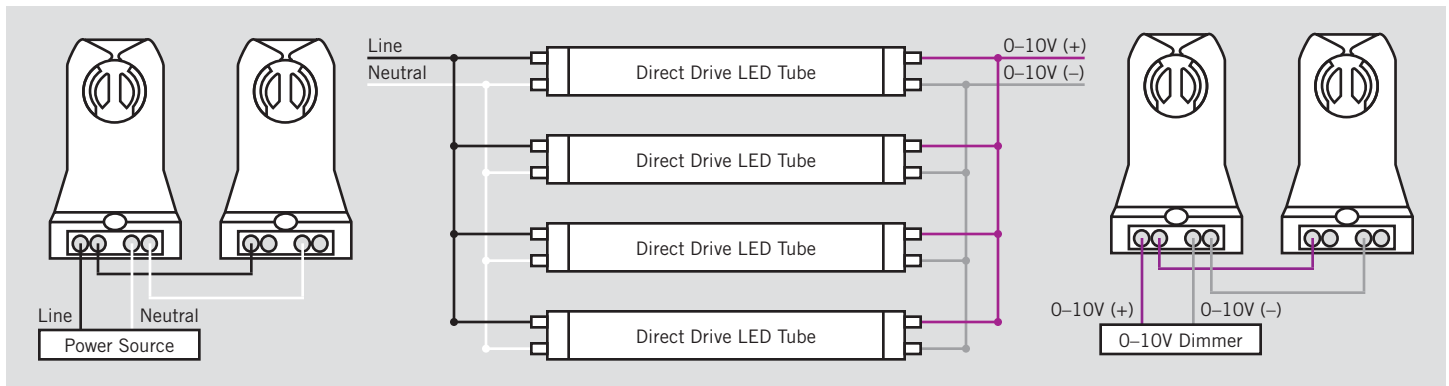
KT-LED18T8-48P-835-D-VDIM
DIMMABLE T8 LED LAMP

WIRING INSTRUCTIONS

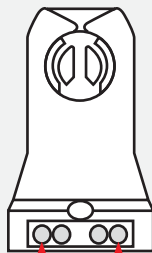
1. Cut all existing connections to ballast as shown below and remove ballast.



2. Rewire fixture as shown below.



TYPICAL NON-SHUNTED LAMPHOLDER



Connect wires directly to these terminals

CAUTION: USE ONLY NON-SHUNTED LAMP HOLDERS.

Do not install product in a fixture with shunted lampholders (found in all fixtures using instant start ballasts). If the current lampholders are shunted, remove them and replace them with non-shunted lampholders. Make new connections directly to terminals as indicated to the left.

Keystone can provide any style replacement lampholders.

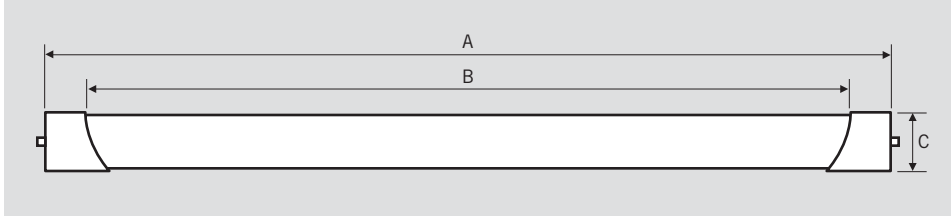
Call us at 800-464-2680.



KT-LED18T8-48P-835-D-VDIM

DIMMABLE T8 LED LAMP

PHYSICAL CHARACTERISTICS



LAMP DIMENSIONS

A (Body Length)	47.15"
B (Illuminated Length)	45.70"
C (Cross-section: Width x Height)	1.08" x 1.25"

NOMINAL LENGTH: 48"

BASE TYPE: G13 (Medium Bi-Pin)

ORDERING INFORMATION

ORDER CODE	PACK QTY.	ITEM STATUS
KT-LED18T8-48P-835-D-VDIM	20	Quick Ship

CATALOG NUMBER BREAKDOWN

KT-LED18T8-48P-835-D-VDIM

1 2 3 4 5 6 7 8 9 10

- 1 Keystone Technologies
- 2 LED Lamp
- 3 Wattage
- 4 Lamp Type
- 5 Nominal Length (Inches)
- 6 Plastic/Aluminum Case
- 7 800 Series
- 8 Color Temperature
- 9 DirectDrive Series
- 10 0-10V Dimming