



DIRECT DRIVE LED

LINE VOLTAGE T5 TUBES

KT-LED16T5HO-36GC-830-D

T5 LED LAMP

DESCRIPTION

16W T5 LED | 3000K | >80 CRI | High-Output



LAMP TYPE: Linear
BULB TYPE: T5 LED
BASE TYPE: G5 (Miniature Bi-Pin)
WATTAGE: 16W
COLOR TEMPERATURE: 3000K
COLOR RENDERING INDEX (CRI): >80
WARRANTY: 5 Years



PRODUCT FEATURES

- Replacement for conventional fluorescent lamp
- 50,000+ hour lifetime
- Environmentally friendly: No mercury used
- Instant startup
- Direct replacement for F39T5/HO fluorescent lamp
- Frosted lens eliminates pixelation
- UL Classified
- Operating temperature: -20°C/-4°F to 45°C/113°F
- Integral driver (isolated) eliminates the need for external driver or ballast
- 110+ Lumens per Watt
- Improved lamp durability with shatterproof coated glass
- ETL Sanitation listed NSF/ANSI Standard 2—Food Equipment

OPERATING SPECIFICATIONS

ELECTRICAL CHARACTERISTICS

Input Voltage	Power Consumption	Power Factor	Input Current
120-277Vac	16W	>0.9	0.13A @ 120V 0.06A @ 277V

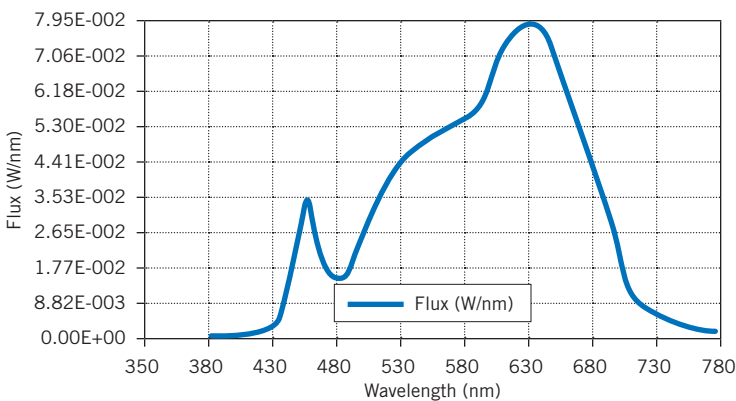
PHOTOMETRIC CHARACTERISTICS

Color Temperature (CCT)	3000K
Luminous Flux	1800 lm
Color Rendering Index (CRI)	>80
Efficacy	113 lm/W
Beam Angle	240°
Visible Light Area	325°

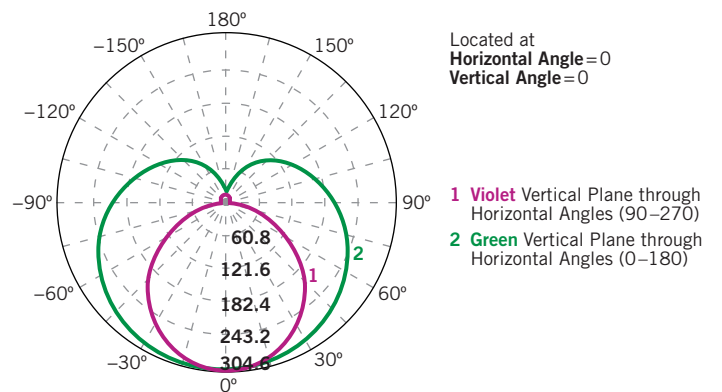
RATED LIFE

L70 (Hours)	50,000
-------------	--------

SPECTRAL DISTRIBUTION



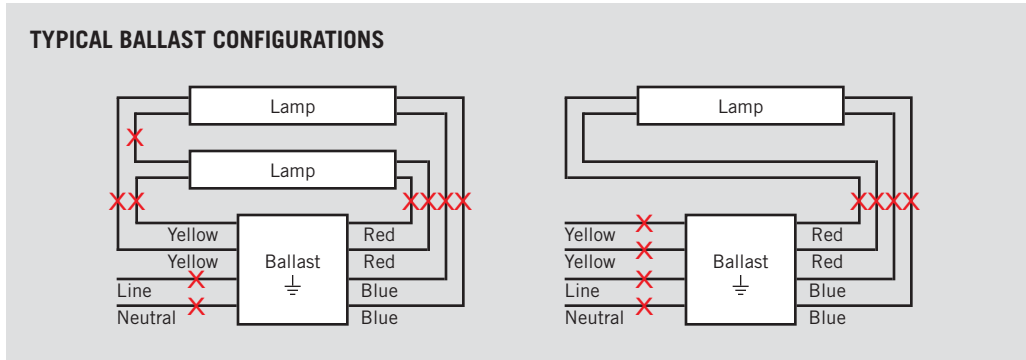
POLAR CANDELA DISTRIBUTION



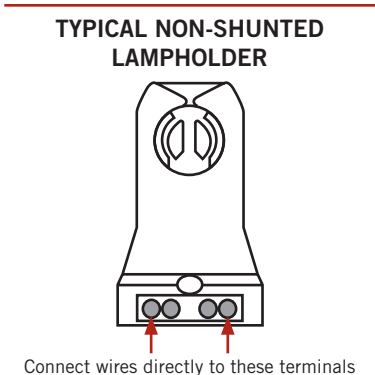
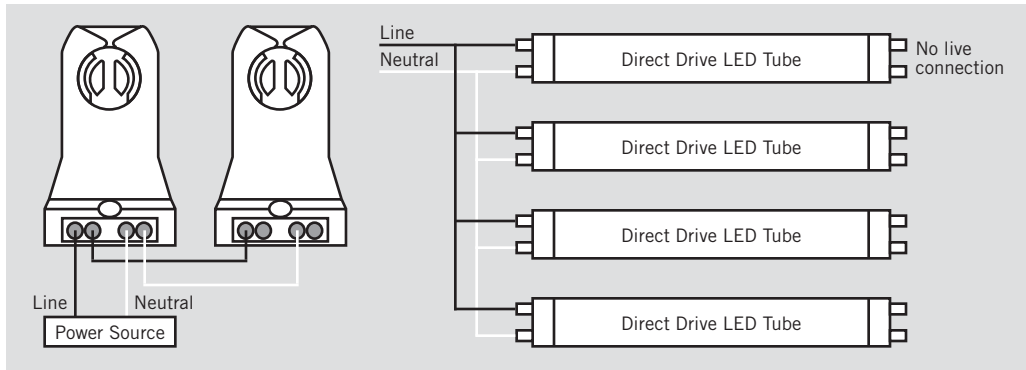
KT-LED16T5HO-36GC-830-D
T5 LED LAMP

WIRING DIAGRAM

1. Cut all existing connections to ballast as shown below and remove ballast.



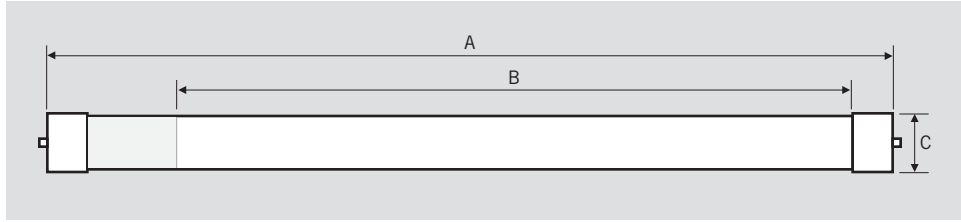
2. Rewire fixture as shown below.



CAUTION: USE ONLY NON-SHUNTED LAMPHOLDERS.

Do not install product in a fixture with shunted lampholders (found in all fixtures using instant start ballasts). If the current lampholders are shunted, remove them and replace them with non-shunted lampholders. Make new connections directly to terminals as indicated above. Keystone can provide any style replacement lampholders. Call us at 800-464-2680.

PHYSICAL CHARACTERISTICS



LAMP DIMENSIONS

A (Body Length)	33.38"
B (Illuminated Length)	29.56"
C (Diameter)*	0.82"

NOMINAL LENGTH: 36"

BASE TYPE: G5 (Miniature Bi-Pin)

**Though nominally referred to as a T5, this lamp has a T6 diameter.*



KT-LED16T5HO-36GC-830-D

T5 LED LAMP

ORDERING INFORMATION

ORDER CODE	PACK QTY.	ITEM STATUS
KT-LED16T5HO-36GC-830-D	25	Quick Ship

CATALOG NUMBER BREAKDOWN

KT-LED16T5HO-36GC-830-D

1 2 3 4 5 6 7 8 9

- 1 Keystone Technologies
- 2 LED Lamp
- 3 Wattage
- 4 Lamp Type
- 5 Nominal Length (Inches)
- 6 Shatter-Proof Coated Glass
- 7 800 Series
- 8 Color Temperature
- 9 Direct Drive Series