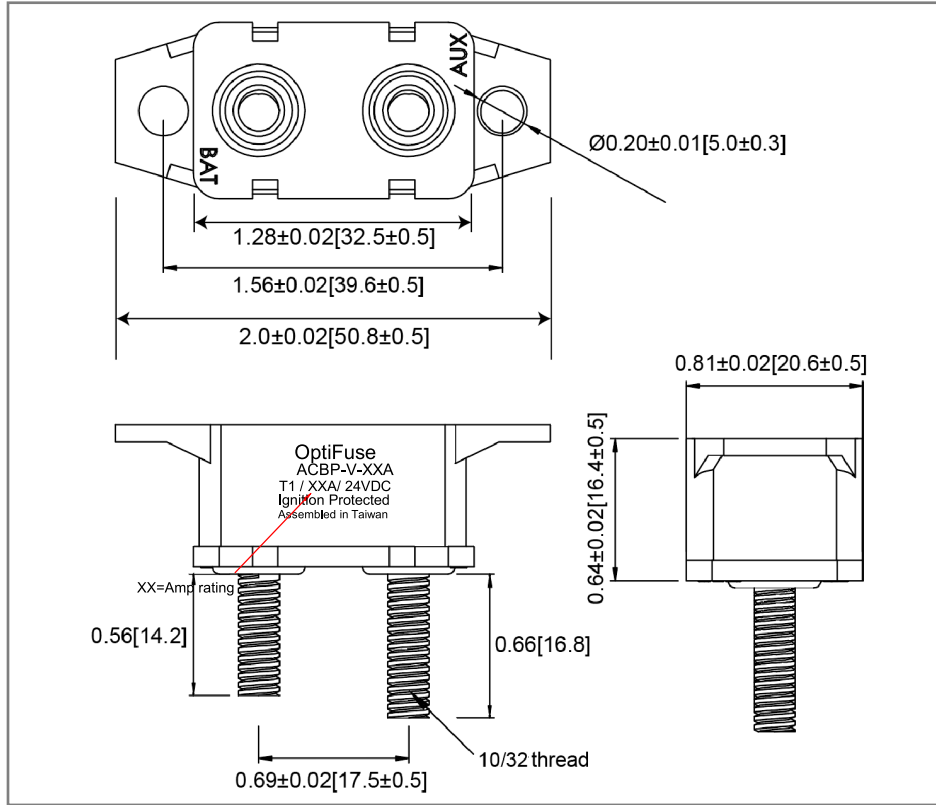


10-32 Stud (Shortstop Style) Circuit Breaker

ACBP-V
Gray Body



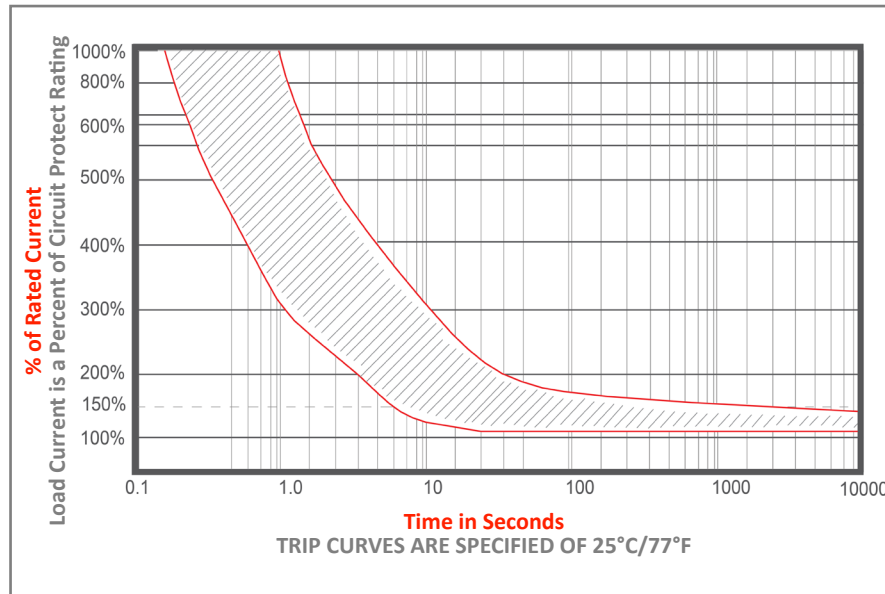
Mechanical Dimensions: Inches [mm]



Part Numbers Information

Amperage	Optifuse P/N
4A	ACBP-V-4A
5A	ACBP-V-5A
6A	ACBP-V-6A
8A	ACBP-V-8A
10A	ACBP-V-10A
15A	ACBP-V-15A
20A	ACBP-V-20A
25A	ACBP-V-25A
30A	ACBP-V-30A
40A	ACBP-V-40A
50A	ACBP-V-50A

Time vs. Percent of Rated Current



% of Rated Current	Min Trip Time	Max Trip Time
100%	Hold	No Trip
150%		Trip in 1 hr
200%	4.0s	40.0s
300%	1.2s	12.0s
400%	0.6s	5.0s
500%	0.4s	2.8s
600%	0.3s	1.8s

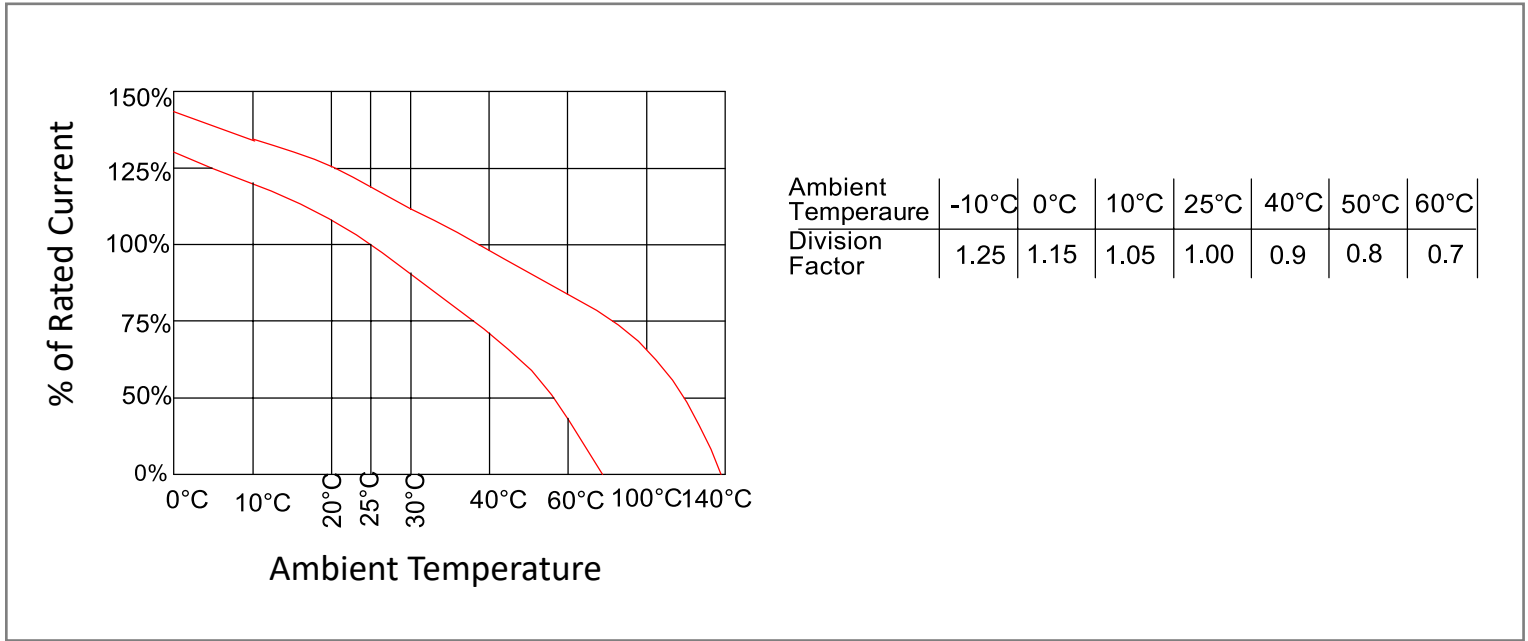
Electrical Specifications

Voltage Rating	12/24/32VDC
Reset Type	Type I - Auto Reset
Interrupting Rating	4 Times Rated Current
Operation Temperature	-10°C ~ 60°C
Testing	SAE J553

Material Specifications

Body Material	Thermoplastic (UL94V-0)
Terminals Material	Battery – Copper Plated, Auxiliary – Zinc Plated
Terminals Configuration	#10-32 stud
Studs Torque	3.0 ± 0.3 N.m
Mounting Torque	1.0 ± 0.1 N.m
Ignition Protection	SAE J1171 Ingress Protection IP63

Temperature Derating Curve



Rev	Date of issue	Revision Notes	Designed	Approved
H	05-02-2025	Updated Part Number Information	RC	OF