

Flood Light Installation Instructions

CLF14-150S-UNV-8SC1-T3-XX-BZ-BPC
CLF14-300S-UNV-8SC1-T3-XX-BZ-BPC



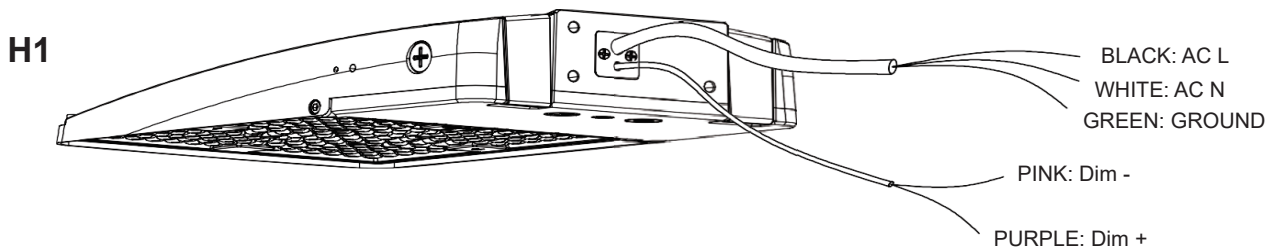
WARNING!

Risk of fire or electric shock. To reduce risk of electrical shock, turn off power supply before installation or servicing.

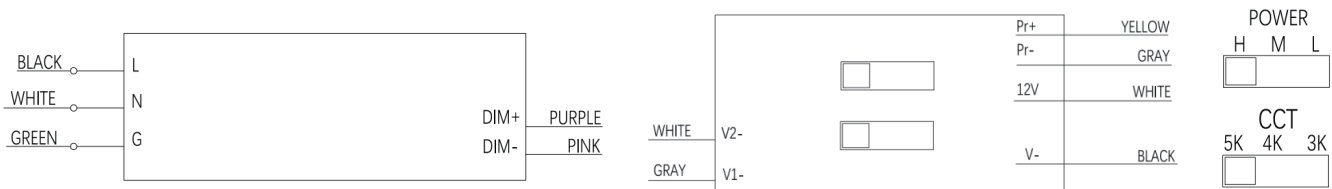
1. Field installers are responsible for recognizing specific site requirements and making adjustment to assure a complete, functional installation.
2. Electrical connections must be made by a qualified electrician and in accordance with NEC and local codes.
3. Make all power connections using UL listed components.
4. Make sure the supply voltage is the same as the rated voltage of the luminaire.
5. Do not install in a hazardous atmosphere.
6. Proper grounding is required to ensure safety.
7. Please wear gloves to avoid injury before installation.
8. Check if there is any damage during shipping. If so, contact manufacturer immediately .
9. Read the installation instruction carefully to check whether all the accessories are included. After confirmation, then install the fixture according to installation steps.
10. Appropriate safety equipment needed during installation, to be determined by installer and per applicable safety standards and precautions.

Wiring Instructions

1. Turn off power supply before installation. Review product label for voltage and amperage load per fixture.
2. Make all electrical connections per NEC and local codes (and reference Fig. H1 & H2). Cap each dimming wires separately if not used.
3. Restore power to fixture



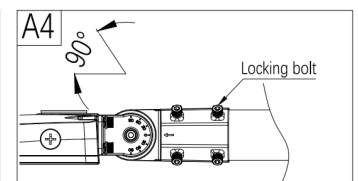
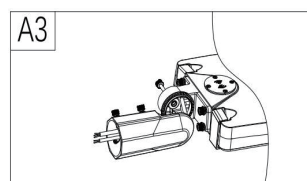
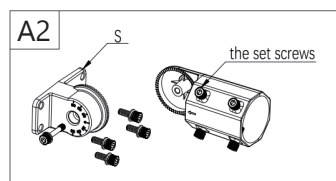
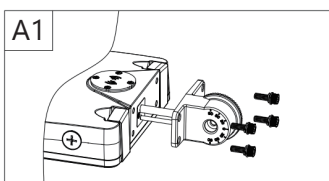
H2



► Slip Fitter Mount Installation

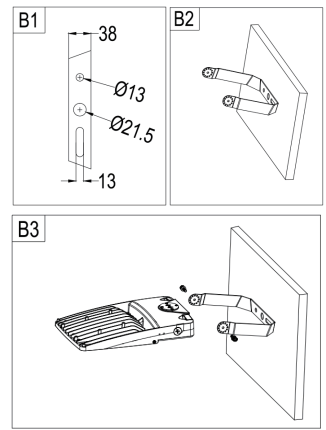
Note: This slipfitter can adapt to 2 3/8" tenon

1. Assemble slip fitter bracket onto fixture using the M8 bolts (4 bolts provided). Torque each bolt to 70 in-lb. (See A1)
2. Remove the set screws (4 screws provided). (See A2)
3. Make electrical connections inside the pole per NEC and local codes and reference wiring instructions.
4. Adjust arm to desired angle and torque M8 bolt to 70 in-lb). (See A3)
5. Route power supply cable inside pole and slide fixture assembly in place.
6. Insert the M8 set screws and torque each to 70 in-lb. (See A4)



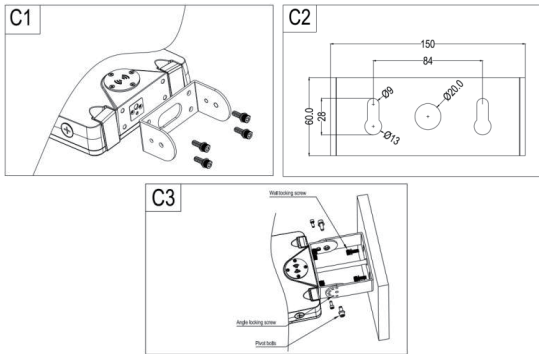
► Yoke Mount Installation

1. Mark drilling locations on mounting surface and pre-drill the mounting holes. (See B1)
2. Install proper anchor for fixture weight (anchor not provided) in the pre-drilled holes.
3. Align the yoke bracket of the fixture. Secure and adjust in place using the (2) M6 bolts. (See B2)
4. Install yoke onto surface using proper hardware (not provided).
5. Route power supply cable in a junction box and make electrical connections inside the pole per NEC and local codes and reference wiring instructions.
6. Adjust fixture aiming angle and tighten M4 bolts, torque each bolt to 70 in-lb. (See B3)



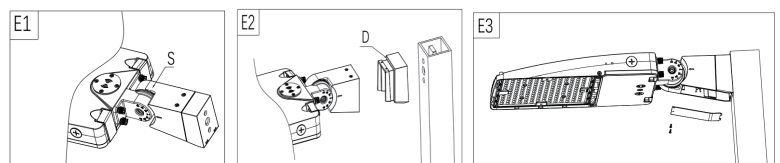
► Trunnion Mount Installation

1. Trunnion bracket to 4 holes on fixture. Tighten bracket in place using the M8 bolts (4 bolts provided). Torque each bolt to 70 in-lb. (See C1)
2. Mark drilling locations on mounting surface and drill the pre-drill mounting holes. (See C2)
3. Install proper anchor for fixture weight (anchor not provided) in the pre-drilled holes.
4. Install fixture onto surface using proper hardware (not provided).
5. Loosen angle adjustment set screw. Align to desired position. Tighten set screw. (See C3)
6. Route power supply cable in a junction box and make electrical connections inside the pole per NEC and local codes and reference wiring instructions.



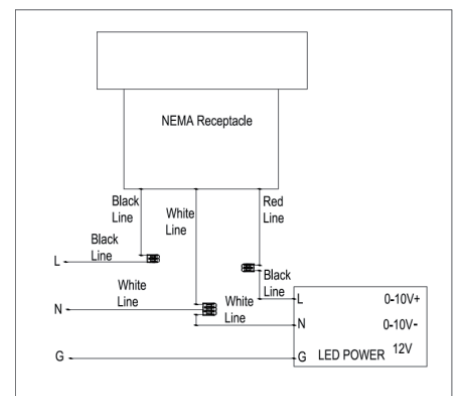
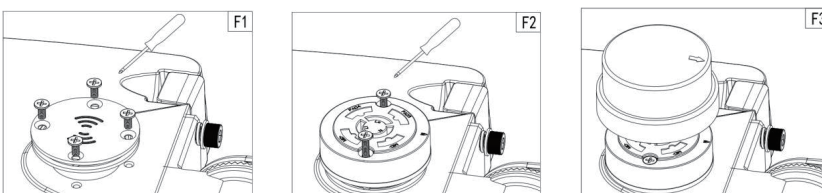
► Quick Adjust Direct Mount Installation

1. Trunnion bracket to 4 holes on fixture. Tighten bracket in place using the M8 bolts (4 bolts provided). Torque each bolt to 70 in-lb. (See E1)
2. Mark drilling locations on mounting surface and drill the pre-drill mounting holes. (See E2)
3. Install proper anchor for fixture weight (anchor not provided) in the pre-drilled holes.
4. Install fixture onto surface using proper hardware (not provided).
5. Loosen angle adjustment set screw. Align to desired position. Tighten set screw. (See E3)
6. Route power supply cable in a junction box and make electrical connections inside the pole per NEC and local codes and reference wiring instructions.



► If Installing NEMA Receptacle and Photocell

1. Unscrew and remove the cover. (See F1)
2. Mount the NEMA Receptacle, tighten bracket in place using the M4 bolts (2 bolts provided). (See F2)
3. Install the photocell and tighten. (See F3)
4. The NEMA Receptacle connection refer to the wiring diagram. (See Wiring Diagram)



Wiring Diagram