

35x35mm



280x210mm

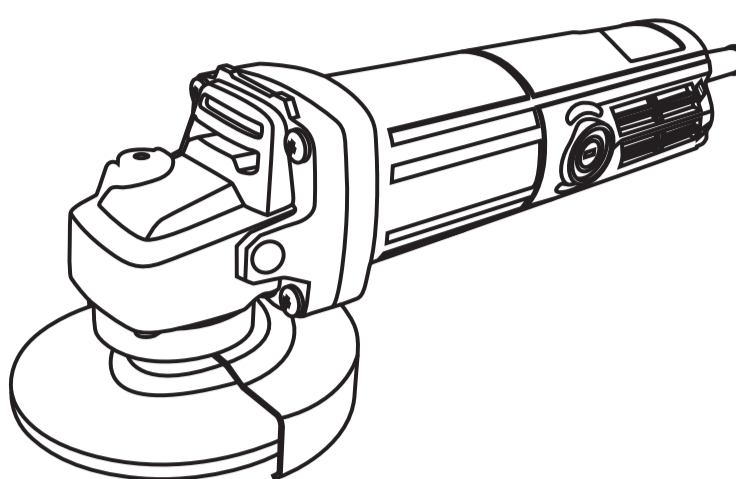


Professional Series
For Industrial Use Only



OPERATING MANUAL

ANGLE GRINDER



NBT-AG-E9913-115

SPECIFICATIONS

Rated Voltage	110-127V
Rated Frequency	50/60Hz
Rated Input Power	850W
No-load Speed	10000r/min
Blade capacity	115mm

MADE IN CHINA



Read through carefully and understand these instructions before use.

WARRANTY POLICY

CONGRATULATIONS for becoming a proud owner of NEWBEAT power tool(s). It is warranted to be free of defects from workmanship and materials for the period of SIX MONTHS from the date of original purchase.
This warranty covers the normal operation of the products and excludes damage caused by:
A. Accident, negligence, abuse and improper use.
B. fire, flood and natural calamities;
C. unauthorized repairs and alterations;
D. wrong voltage/wild voltage fluctuation;
E. entry into machine of water, slurry, dust, etc.;
F. normal wear and tear;
G. seal, carbon brush and other spare parts that easy to be worn and broken;
H. rough transportation after sale.
I. improper or lack of maintenance as indicated in the Operation Instructions;
J. not using our company original spare parts & accessories as stipulated.
WARRANTY STRICTLY FOR ARMATURE AND FIELD COIL ONLY.
To ensure the effectiveness of this warranty, the following particulars must be entered on the Warranty Card on the date of purchase: Dealer's stamp, the date of purchase, the particular of buyer.
PLEASE KEEP THIS WARRANTY CARD SAFE WITH YOU. WARRANTY WILL NOT BE PROVIDED WITHOUT THIS WARRANTY CARD. This warranty is neither Assignable nor Transferable. Should any trouble develop during this six months period, return the COMPLETE tool, together with the warranty card and purchase bill of the related machine, to where it was bought for repair.
Note: The contents of this warranty card may be changed without prior notice and we reserves the authority for final interpretation.



WARRANTY CARD



MADE IN CHINA

WARNING

Read and understand all instructions. Failure to follow all instructions listed below, may result in electric shock, fire and/or serious personal injury.

SAVE THESE INSTRUCTIONS

Power Tool Safety Rules

Work Area

Keep your work area clean and well lit. Cluttered benches and dark areas invite accidents. Do not operate power tools in explosive atmospheres, such as in the presence of flammable liquids, gases, or dust+. Power tools create sparks which may ignite the dust or fumes.
Keep by-standers, children, and visitors away while operating a power tool. Distractions can cause you to lose control.

Electrical Safety

Before plugging in the tool, be certain the outlet voltage supplied is within the voltage marked on the nameplate. Do not use "AC only" rated tools with a DC power supply.
Avoid body contact with grounded surfaces such as pipes, radiators, ranges and refrigerators. There is an increased risk of electric shock if your body is grounded. If operating the power tool in damp locations is unavoidable, a Ground Fault Circuit Interrupter must be used to supply the power to your tool. Electrician's rubber gloves and footwear will further enhance your personal safety.
Don't expose power tools to rain or wet conditions. Water entering a power tool will increase the risk of electric shock.
Do not abuse the cord. Never use the cord to carry the tools or pull the plug from an outlet. Keep cord away from heat, oil, sharp edges or moving parts. Replace damaged cords immediately. Damaged cords increase the risk of electric shock.
When operating a power tool outside, use an outdoor extension cord marked "W-A" or "W." These cords are rated for outdoor use and reduce the risk of electric shock. Refer to "Recommended sizes of Extension Cords" in the Accessory section of this manual.

Personal Safety

Stay alert, watch what you are doing and use common sense when operating a power tool. Do not use tool while tired or under the influence of drugs, alcohol, or medication. A moment of inattention while operating power tools may result in serious personal injury. Dress properly. Do not wear loose clothing or jewelry. Contain long hair. Keep your hair, clothing, and gloves away from moving parts. Loose clothes, jewelry, or long hair can be caught in moving parts. Keep handles dry, clean and free from oil and grease.
Avoid accidental starting. Be sure switch is "OFF" before plugging in. Carrying tools with your finger on the switch or plugging in tools that have the switch "ON" invites accidents.
Remove adjusting keys or wrenches before turning the tool "ON". A wrench or a key that is left attached to a rotating part of the tool may result in personal injury.
Do not overreach. Keep proper footing and balance at all times. Proper footing and balance enables better control of the tool in unexpected situations.
Use safety equipment. Always wear eye protection. Dust mask, non-skid safety shoes, hard hat, or hearing protection must be used for appropriate conditions.
If the devices which connect chip removal device or dust collection equipment are

provided, please make sure they are well connected and used properly. Using these devices can reduce the danger caused by chippings.

Tool Use and Care

Use clamps or other practical way to secure and support the workpiece to a stable platform. Holding the work by hand or against your body is unstable and may lead to loss of control.

Do not force tool. Use the correct tool for your application. The correct tool will do the job better and safer at the rate for which it is designed.

Do not use tool if switch does not turn it "ON" or "OFF". Any tool that cannot be controlled with the switch is dangerous and must be repaired.

Disconnect the plug from the power source before making any adjustments, changing accessories, or storing the tool. Such preventive safety measures reduce the risk of starting the tool accidentally.

Store idle tools out of reach of children and other untrained persons. Tools are dangerous in the hands of untrained users.

Maintain tools with care. Keep cutting tools sharp and clean. Properly maintained tools, with sharp cutting edges are less likely to bind and are easier to control. Any alteration or modification is a misuse and may result in a dangerous condition.

Check for misalignment or binding of moving parts, breakage of parts, and any other condition that may affect the operation. If damaged, have the tool serviced before using. Many accidents are caused by poorly maintained tools. Develop a periodic maintenance schedule for your tool.

Use only accessories that are recommended by the manufacturer for your model. Accessories that may be suitable for one tool, may become hazardous when used on another tool.

Service

Tool service must be performed only by qualified repair personnel. Service or maintenance performed by unqualified personnel could result in a risk of injury. For example: internal wires may be misplaced or pinched, safety guard return springs may be improperly mounted.

When servicing a tool, use only identical replacement parts. Follow instructions in the Maintenance section of this manual. Use of unauthorized parts or failure to follow Maintenance Instructions may create a risk of electric shock or injury. Certain cleaning agents such as gasoline, carbon tetra-chloride, ammonia, etc. may damage plastic parts.

General safety warning

This tool is using as grinding. Please read all the attached safety warning, introduction, figure display with the tool. The disunderstanding of introductions may cause shark, fire or serious injury.

No recommend of sanding, brushing, polishing cutting or etc of angle grinder. The disobe of the setting functions of tools may cause danger and personal injury.

No use of the accessories that are not from manufacture or special designed. Or the safety can not be guaranteed.

The rated speed of accessories must less than the marked max speed of the tool. Or it may cause the burst or splash.

The outer diameter and thickness must in the range of the capacity of tool. The incorrect



Return receipt

WARRANTY CARD

DEALER'S NAME AND ADDRESS: _____

Please fill all the details and return the warranty registration card within 7 days from the date of purchase to the Dealer's address mentioned above. Unregistered warranty card is not applicable for any warranty service.

MODEL NO.: _____ SERIAL NO.: _____

NAME: _____ DATE OF PURCHASE: _____

ADDRESS: _____



Customer copy

WARRANTY CARD

MODEL NO.: _____ SERIAL NO.: _____

NAME: _____

ADDRESS: _____

DATE OF PURCHASE: _____

DEALER'S STAMP & SIGNATURE: _____

No.	Name	QTY/PC
1	pressing plate	1
2	disc	1
3	pressing plate	1
4	wheel guard	1
5	output shaft	1
6	dust proof cap	1
7	screw	4
8	front cap	1
9	bearing	1
10	collar	1
11	gear	1
12	needle bearing	1
13	gear box	1
14	screw	4
15	self lock pin	1
16	self lock spring	1
17	self lock cap	1
18	screw	1
19	pinion	1
20	bearing	1
21	middle cap	1
22	armature	1
23	wind shield	1
24	screw	2
25	stator	1
26	tension spring	2
27	creepage circle	1
28	bearing	1
29	bearing sleeve	1
30	housing	1
31	brush holder	2
32	brush	2
33	brush cap	2
34	switch	1
35	cable plate	1
36	screw	2
37	back cap	1
38	screw	1
39	sleeve	1
40	dustproof slice	1
41	dustproof slice	1
42	cable	1
43	spanner	1

6

accessories can not be controlled or protected adequately.

The shaft hole size of the grinding wheel, flange, back pad or any other accessories must be fitted to the spindle of the electric tool. The unfit may cause instability, excessive vibration and lose the control.

No use of damaged grinding wheel. Check the wheel whether there is damage, crack or over used. If the tool or wheel is dropped, please check the tool or wheel is good or not. While operating, please keep away from the plane of rotating wheel, and keep one minute to operate it with the max No-loading speed, the damaged wheel may crack while operating.

Please wear protective equipment. Please wear the protective mask, safety glasses. Please use the dust mask, hearing protectors, gloves and working debris that can block the small working pieces. The eye protectors must block various clips. The dust mask must filter all kinds of particles. The long explode in high noise surrounding may cause the hearing loss.

Keep the spectators from the working area. Anyone who in the working area must wear protective equipment. Debris from the workpiece or damaged wheel may fly out and cause damage to the bystander. The rotation of the electric grinding head touches the charged wire will make the metal parts exposed with electricity and cause the shark of user.

While operating the tool that in the surrounding that the wheel may touch the self-wire, please hold the tool with insulation holder. Once the rotating wheel touches one electric wire, the exposed metal parts may be charged and user may be shocked.

Keep the cord away from rotating wheel. The cord may be grinding or winding if the operation is improper, and your hand or arm may touch the rotating wheel, you may get harmed.

Do not lay down the tool until the wheel is stopped completely. Rotating wheel may grasp the surface and pull the tool, make you lose the control of the tool.

Do not use the tool while carrying it. The wheel may accidentally touched and rotated and wind your clothes, cause harm to you.

Clean the wind vent normally. The dust may be breathed in shell, over metal powder may cause the electric danger.

Do not operate the tool beside the flammable materials. The spark may cause the fire.

Do not use the cooled accessories. Water or other cool liquid may cause the electric shock.

Safety instructions

Hold the tool tightly, make your body and arms in the right position to resist rebound. Hold the control of the tool when the tool starts. If the right measures are adapted, operator can hold the tool.

Keep hands away from rotating parts, or the parts may hurt the hands.

Do not in the place that may suffer the rebound of the tool. The rebound may make the tool moving in the opposite direction.

Be careful of the sharp angle and sharp edge while operating. Avoid the jumping and twisting of rotating parts. Sharp angle, sharp edge and jumping may have the trend to twist the rotating parts and arise the loss of control.

Do not set up the chain, carved wooden blade or toothed blade. These blades may cause frequent rebound and lose of control.

Additional safety instructions

Only use the grinder wheel recommended. The grinder wheel which is not designed for electric tools can not be used, it is dangerous.

Protective equipment must be fixed in the tool tightly, and put it at the safest position, only the smallest part of wheel can be exposed. Protective equipment protect the operator from the debris of wheel and accidental touch with wheel.

Choose the well, suitable grade grinder wheel flange. Suitable flange can reduce the crack rate of wheel.

Do not use the left bigger scale wheel from tools. The bigger wheel is not suitable for small scale, the high speed working situation may cause the wheel crack.

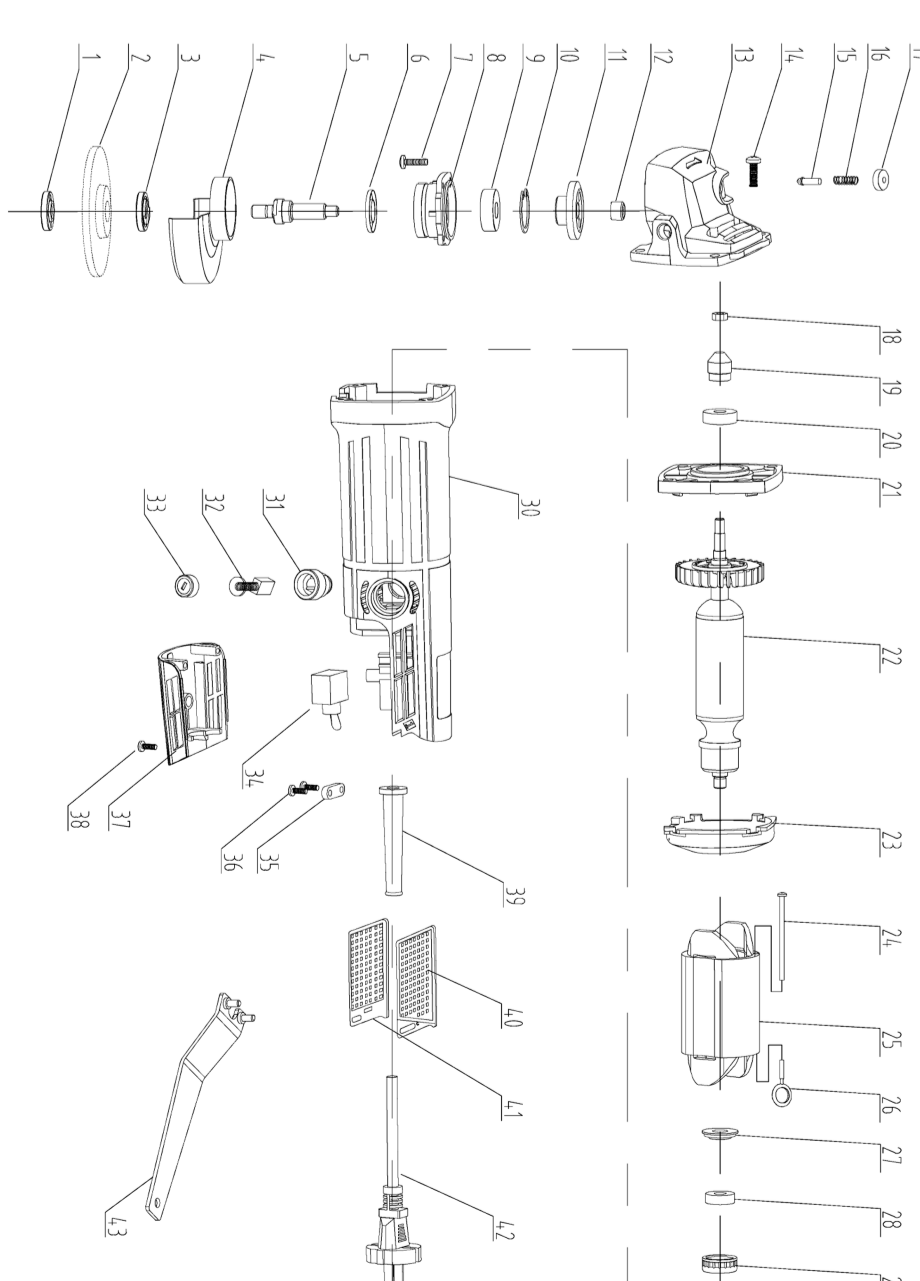
Safety warning

Please users pay special attention to safety operating, please read the instructions carefully before using.

Before operating, please wear insulation gloves, insulation shoes and special uniform, no contact with other grounding metal goods, avoid the shark. The damages that cause from dropping, accidental dropping or long time used, the tool can not be used until had the qualification of insulation test by professional. There will be a huge torque while the starting of tool, user must stand stably and hold the tool well. No highland operation.

The actual voltage should be in ±10% of the rated voltage on the name plate. The carbon brush wear to can't be used, please exchange the carbon brushes (two at the same time) or the poor contact between brush and commutator may arise the fire, damages will exchange the carbon brush down the armature. Please turn off the switch and cut of the power while exchange the carbon brushes. Long staled tools or usual used in the damp environment, please have the test of insulation resistance of coil with 500V megger, if it is less than 50 Ω, the coil must be dried, and it can not be used until the resistance is bigger than 50 Ω.

Before the using of the electric tools that are not belong to double insulation, please make sure the grounding part of plug must be grounded. Meanwhile, using the RCD (prepared by users) to make sure the personal safety.



4

5