

Mounting marker and bulletin boards using L-hangers

For the most secure mounting, install all L-hangers directly to wall studs. When wall studs cannot be used we recommend using wall anchors (not included) and spacing them evenly along the length of the board, starting 4"-6" from the ends.

1. Determine the desired height from the floor to the bottom of the board. Scribe a level line at this point.

2A. For aluminum and wood framed boards: Position half of the amount of hangers provided along this line as shown in FIG 1. Space them as recommended above. Place each screw in the upper end of the hangers slot, then firmly fasten each hanger with screws or wall anchors to the wall.

2B. For wooden framed boards with a tray: Position half of the amount of the hangers provided along this line as shown in FIG 2. Space them as recommended above. Place each screw in the hole of the hangers short leg. Firmly fasten each hanger with screws or wall anchors to the wall.

3. Place the board on the bottom L-hangers and scribe a line on the wall along the top edge of the board for the top hangers.

4. Remove the board and install the top hangers, spacing them the same as the bottom hangers. Place each screw in the center of each hangers slot. Fasten each hanger with screws or wall anchors to the wall.

5. Replace the board onto the hangers and tap the top hangers down against the top frame. Using the L-hangers as a template, mark the hole locations for the top and bottom #8 sheet metal screws.

6. Remove the board, drill 1/8" dia. holes at each of the marked locations and reattach the board with the screws provided.

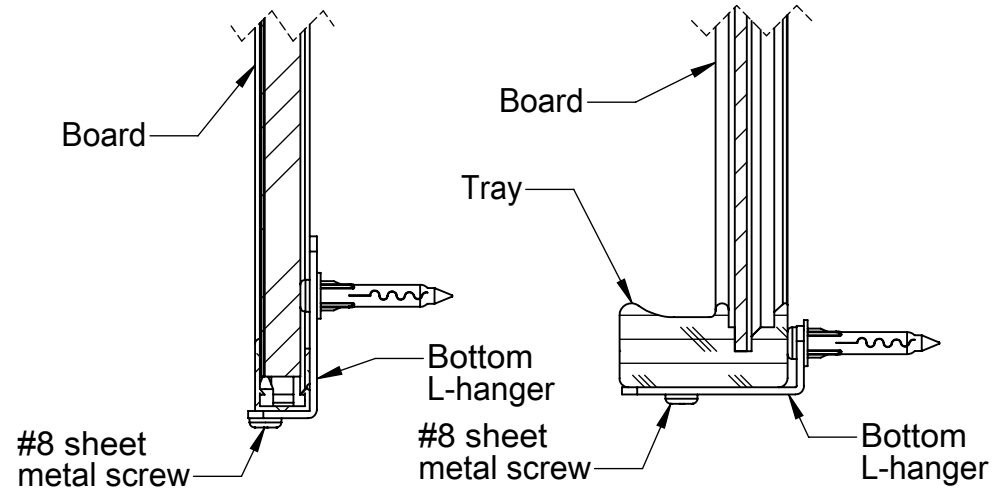
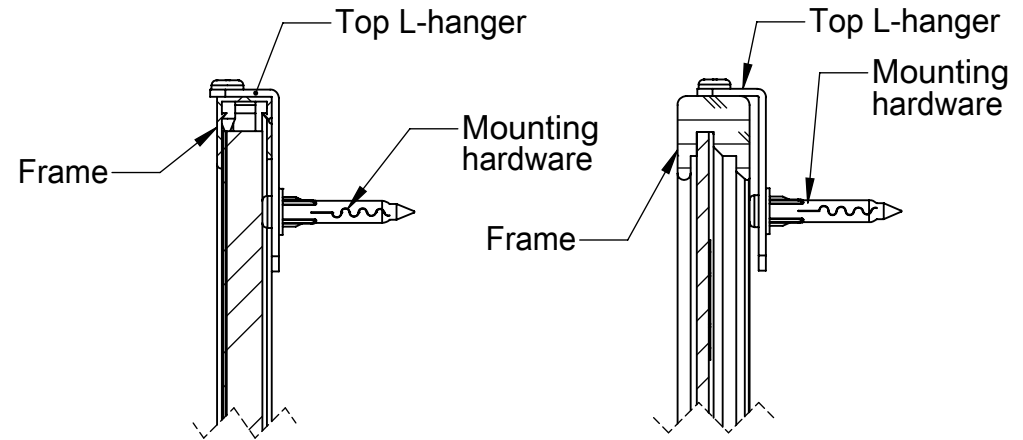


FIG .1

FIG.. 2

Aluminum frame board shown

Wood frame board with tray shown