

JUN-AIR®

A BRAND OF **GAST**®

Compressor

120R-40M, 120R-40MQ3
2x120R-40MQ6, 2x120R-40M



Table of Contents

DB	Operating Manual	5
DE	Betriebsanweisung	5
FR	Mode d'emploi	5
ES	Modo de empleo	5
NL	Gebruiksaanwijzing	5
DK	Betjeningsforskrift	5
	Technical specifications Technische Daten Caracteristiques techniques Detalles técnicos Technische gegevens Tekniske specifikationer	
	Diagrams Zeichnungen Dessins Diagramas Tekeningen Diagrammer	
	Spare parts Ersatzteile Pieces detachées Piezas de recambio Onderdelenlijst Reserve dele	
	Symbols Abbildungen Symboler	

Warranty

Provided that the instructions for operation, maintenance and service have been carried out, your JUN-AIR compressor is guaranteed against faulty material or workmanship for 2 years.

The air receiver is guaranteed for 5 years.

The guarantee does not cover damage caused by violence, misuse, incorrect repairs or use of unoriginal spare parts. Costs of transportation of parts/equipment are not covered by the guarantee.

JUN-AIR's Conditions for Sale and Delivery will generally apply.

JUN-AIR International A/S reserves the right to change technical specifications/constructions.

DE – Garantie

Vorausgesetzt, dass die Anweisungen für Betrieb und Wartung erfüllt sind, gewährt JUN-AIR 2 Jahre Garantie bei Material- oder Fertigungsfehlern.

Auf den Druckbehälter gewährt JUN-AIR 5 Jahre Garantie.

Ausgenommen von Garantieleistungen sind Schäden die durch Gewalt, falsche Bedienung, nicht fachgerechte Reparaturen oder durch Verwendung nicht originaler Ersatzteile verursacht wurden. Transportkosten sind von der Garantie ausgeschlossen.

Es gelten die allgemeinen Geschäfts- und Lieferbedingungen von JUN-AIR.

JUN-AIR behält sich das Recht von technischen Änderungen vor.

DK – Garanti

Under forudsætning af at alle betjenings- og serviceforskrifter overholdes, ydes der 2 års garanti for alle materiale- og fabrikationsfejl.

Dog ydes der 5 års garanti for beholdergennemtæring.

Garantien omfatter ikke skader, som skyldes vold, misbrug, fejlagtige reparationer eller uoriginale reservedele.

Transportomkostninger er ikke omfattet af garantien.

For Skandinavien gælder i øvrigt NL 92 Salgs- og Leveringsbetingelser.

JUN-AIR International A/S forbeholder sig retten til ændringer i tekniske specifikationer og konstruktion.

SAFETY

Important - read this first!

Please read the following information and operating instructions included with this product before use. This information is for your safety and it is important that you follow these instructions. It will also help prevent damage to the product. Failure to operate the unit in accordance with the instructions or using JUN-AIR unauthorized spare parts can cause damage to the unit and could cause serious injury.

IMPORTANT: General instructions for installation

- If the compressor is not fitted with a supply plug, a circuit breaker must be incorporated in the fixed wiring.
- If this unit is supplied with a three-pin plug, connect with a properly earthed outlet only.

CAUTION: To reduce risk of electric shock

- Only authorized service agents should carry out service. Removing parts or attempting repairs can create an electric shock. Refer all servicing to qualified service agents.

WARNING: To reduce risk of electrocution

- Do not use this unit with electrical voltages other than stated on the rating plate.
- Always unplug this unit immediately after use and store in a dry place.
- Do not use this product in or near liquid or where it can fall or be pulled into water or other liquids.
- Do not reach for this product if it has fallen into liquid. Unplug immediately.
- This unit is not weatherproof. Never operate outdoors in the rain or in a wet area.

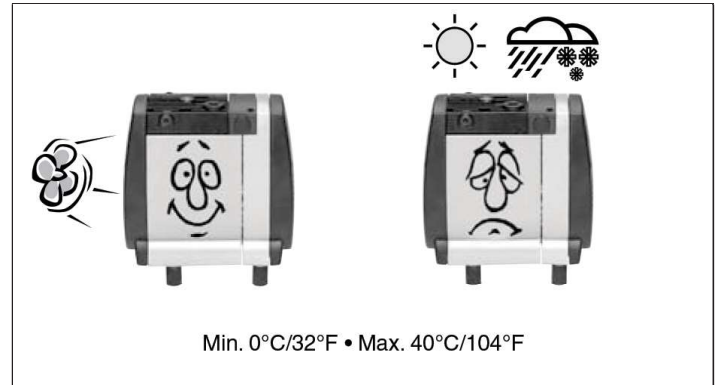
DANGER: To reduce risk of explosion or fire

- During spraying with combustible liquids, risk of explosion may arise, particularly in closed rooms.
- Do not use this product in or near explosive atmospheres or where aerosol products are being used.
- Do not pump any other gases other than atmospheric air.
- Do not pump combustible liquids or vapours with this product; do not use it in or near areas with combustible or explosive liquids or vapours.
- Do not use this unit near open flames.

CAUTION: To prevent injury

- Compressed air can be dangerous; do not direct airflow at a person's head or body.
- Always keep the system out of reach of children.
- Never operate this product if it has a damaged power lead or plug, if it has been dropped or damaged, or if it has fallen into water. Return the product to a service center for examination and repair.
- Keep the electrical cable away from hot surfaces.
- Ensure all openings are kept free of restriction, and never place the motor on a soft surface where the openings may be blocked. Keep all openings free from dust, dirt and other particles.
- Never leave this product unattended when plugged in.
- Never insert fingers or any other objects into fans.
- This unit is thermally protected and can automatically restart when the overload resets.
- Wear safety glasses, when servicing this product.
- Use only in well ventilated areas.
- This product may only be connected to units or tools with a max. pressure rating higher or equal to that of the compressor.
- The surface of the compressor can get hot. Do not touch compressor motor during operation.

Failure to observe the safety precautions could result in severe bodily injury, including death in extreme cases.



IMPORTANT: General directions for use

- Protect compressor against rain, moisture, frost and dust.
- The compressor is constructed and approved for a max. pressure as stated under Technical Specifications.
- Do not operate the compressor at ambient temperatures exceeding 40°C/104°F or falling below 0°C/32°F.
- If the supply power lead on the compressor is defective, an authorized **Jun-Air** distributor or other qualified personnel must carry out the repair.

INSTALLATION

Your JUN-AIR compressor is easy to operate. Observe the instructions and you will get many years service from your compressor.

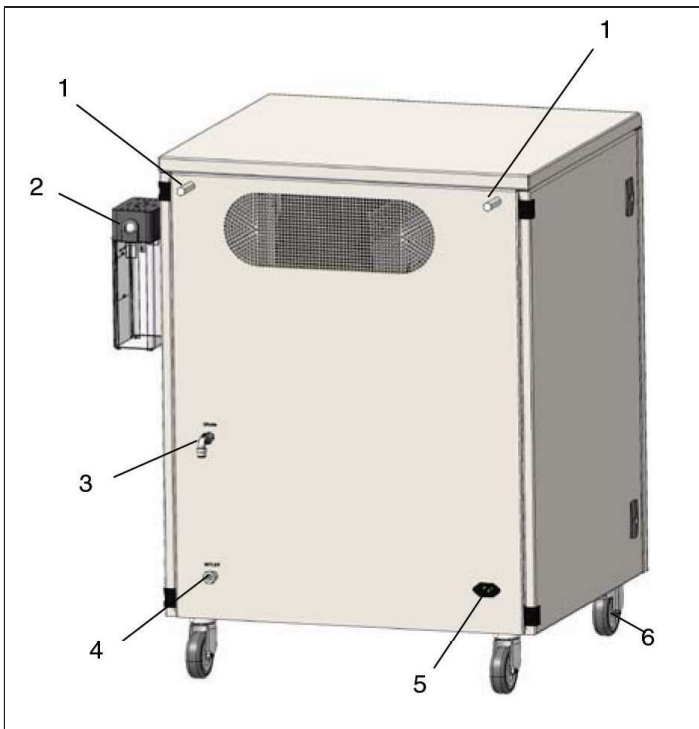
- Visually inspect unit for shipping damage, contact your supplier immediately if you think the unit may have been damaged.
- Check that the performance of the compressor matches the actual air consumption, please refer to Technical Specifications.
- Check that the rating plate of the compressor corresponds with the electrical voltage offered and check that fusing is adequate.

Placing

Place the compressor in a dust-free, dry and cool, yet frost-free room. Sufficient cooling from the surroundings is important.

- Ambient temperature: 0°C to 40°C, 32°F to 104°F
- Relative humidity: Max 90%

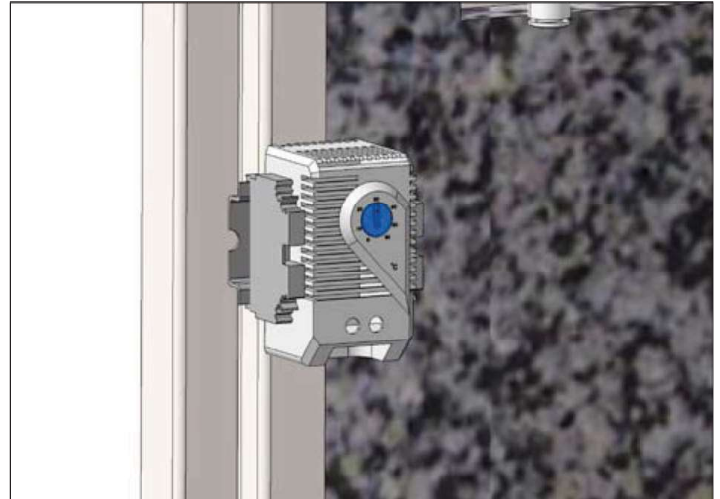
Mount the two distance bolts (1) on the back of the cabinet to ensure sufficient ventilation.



Installation

- Mount the drain bottle (2) visibly outside the cabinet and mount the hose at the back of the cabinet (3).
- Connect the cable at the back of the cabinet (5).
- Plug the compressor into a standard outlet switch.
- Connect equipment at the back of the cabinet (4).
- The front wheels are delivered with brakes. Brake the wheels before starting the compressor (6).

Thermo Switch



The fans are controlled by a Stego thermo switch adjusted to 30°C from the factory – do not alter this setting. Check that the setting is correct and adjust if necessary.







The fans will start when the temperature inside the cabinet exceeds 30°C and will run continuously until the temperature drops below 30°C.

OPERATION

- If the compressor has been stored at an extremely low temperature, allow it to heat to room temperature before switching it on.
- The cut-in and cut-out pressure is preset from the factory and it is normally not necessary to change this. However, if it is necessary to change the preset settings, the instructions of this manual shall be followed carefully.
- All AC compressors are designed for 100% duty, but 50% operation is recommended to prolong the lifetime.
- The fans on the back of the cabinet will start when the temperature exceeds 30°C. It will run continuously even if the compressor may have switched off until the temperature is below 30°C again.
- Do not lubricate the oil-less motor with oil, as it will destroy important components.



Start



-  Start the compressor by pressing the green button.
-  The green lamp for compressor in operation is now alight.
-  Read the outlet pressure on the pressure gauge.
-  Adjust the pressure on the regulator.
-  Read the receiver pressure on the pressure gauge.
-  The green lamp is alight when the fans are in operation.

Read on the hour counter the elapsed service time.

If the compressor does not start, there might be pressure in the receiver. The compressor will automatically start when the pressure drops.

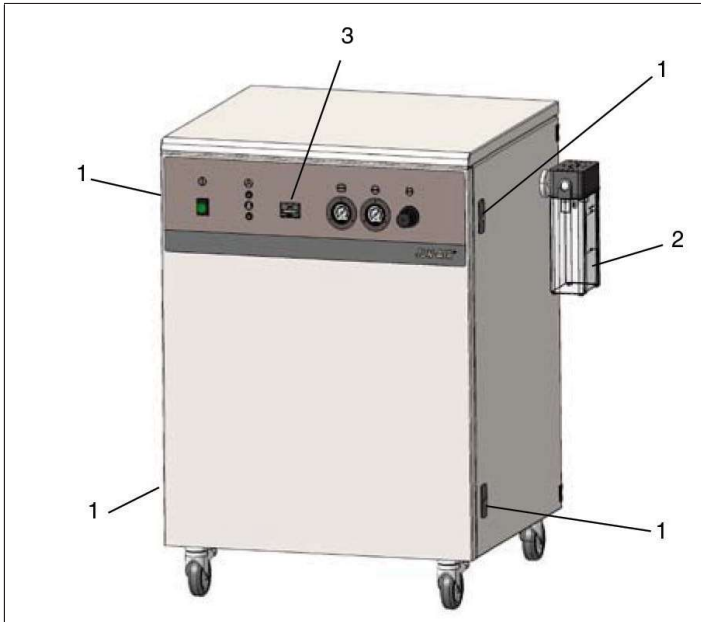
The compressor will automatically stop when the preset cut-out pressure is reached.

Stop

-  Turn off the compressor by pushing the green button.
-  The green light for compressor in operation switches off.

MAINTENANCE

To ensure a long lifetime of the compressor, it is important that inspection and maintenance is carried out regularly as described in the following.



Read the elapsed operation time on the hour counter.

Opening of cabinet

Turn the four (4) locks clockwise with a screwdriver or sim. to open the cabinet.

Preventive maintenance

	Activity	Weekly	Monthly	One a year, or every 2000 hours
a	Drain condensate	•		
b	Check filter regulator			•
c	Check for leaks		•	
d	Clean the unit		•	
e	Check safety valve			•
f	Check inlet filter			•
g	Check non-return valve			•
h	Check fans	•		
i	Check dryer		•	

a) Drain condensate

If drain bottle is installed, empty when necessary. [2].

b) Check outlet filter

Check and change the filter and filter element in accordance with the instructions in "Installation and maintenance instructions" for the filter in question.

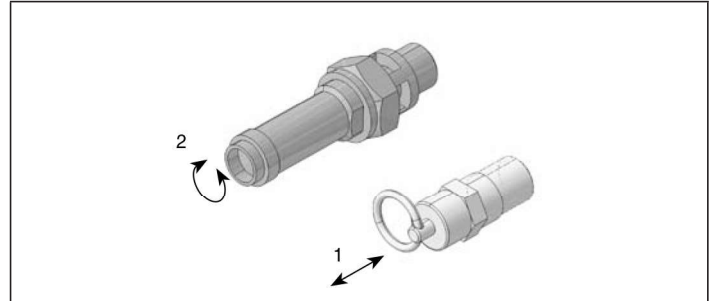
c) Check for leaks

Check motor, hoses and equipment for leaks. Check the pumping time.

d) Clean the unit

Clean the unit when needed with a soft, damp cloth. If necessary, use paraffin to remove adhesions. Dust and dirt prevent cooling.

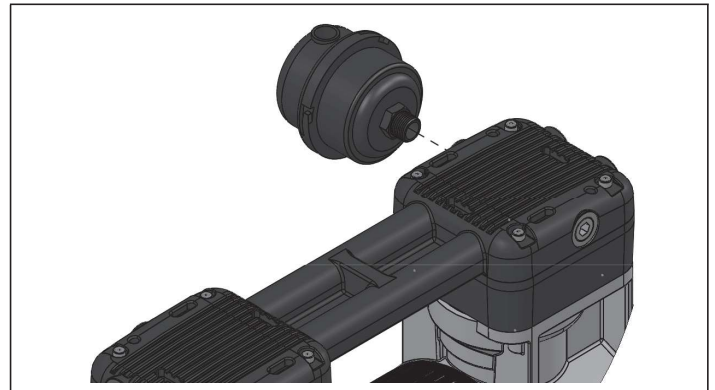
e) Check safety valve



Check the safety valve with pressure in the receiver. The safety valve is operated by pulling the ring [1] or turning the screw [2] depending on the valve type.

f) Check intake filter

Check the intake filter and change it if necessary.

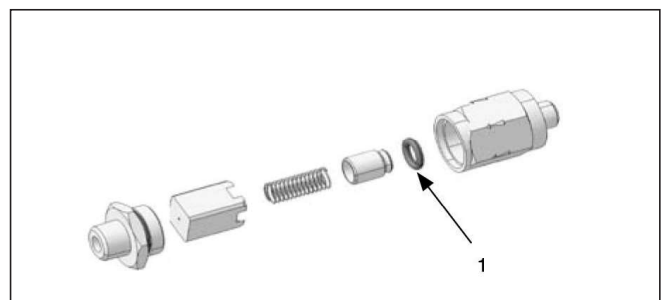


g) Check the non-return valve

Turn off the compressor on the mains switch and pull out the plug.

Empty the receiver for compressed air by operating the safety valve. When the receiver is empty, the reading of the pressure gauge is 0 bar.

Dismount the non-return valve from the receiver.



Disassemble the non-return valve and remove the O-ring (1) part no. 6243000 from the piston.

Clean the non-return valve.

Mount a new O-ring and re-assemble the non-return valve.

Re-install the non-return valve.

h) Check the fans

Check that the fans at the back of the cabinet work. They will start when the temperature exceeds 30°C and will run continuously until the temperature falls below 30°C.

i) Check dryer

If a dryer is installed refer to the operating manual for the dryer. Please note that all service must be carried out by a qualified person.

Adjustment of pressure switch

The working pressure has been preset from the factory, and it is normally not necessary to change this.

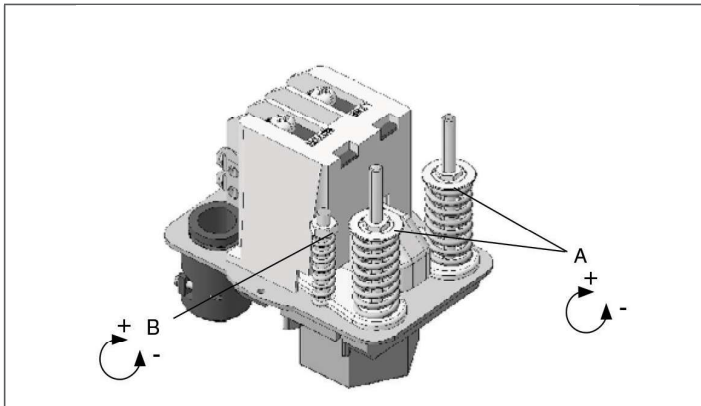
However, if it is necessary to change the preset settings, the instructions mentioned below should be followed carefully.

Warning

The compressor is constructed and approved for a max. pressure as stated under Technical Specifications - do not adjust to a higher pressure.

Higher working pressure will reduce the lifetime of the compressor.

The compressor will stop at max. pressure (stop pressure) and start again at min. pressure (start pressure). The difference between max. and min. pressure is the difference pressure.



Unscrew the lid of the pressure switch. Adjust max. pressure adjusting the two springs marked A (clockwise: higher pressure). Adjust the two springs identically.

Adjust the difference pressure adjusting the spring marked B (clockwise: higher difference pressure, start pressure maintained).

Test of pumping time

The pumping time indicates the condition of the compressor.

1. Check that there are no leaks in the system.
2. Empty the air receiver of compressed air so that the pressure gauge shows 0 bar.
3. Close the filter regulator and check that the drain valve is closed.
4. Start the compressor and note the time it takes until it is turned off again by the pressure switch. Check that the pumping time agrees with the technical specifications for the actual compressor system.

Please note that the pumping time in this manual is given for 0 to max pressure. Deviations from this result in deviating results.

Important

Always test the pumping time when cold. If the compressor is warm, the pumping time will be considerably longer.

FAULT FINDING AND REPAIR

Important

Switch off and isolate from electrical supply before removing any parts from the pump. Empty air receiver of air before performing any operation on the compressors' pressure system.

1. Compressor does not start

- a. The air receiver is pressurized. The motor will start when the pressure has dropped to the preset start pressure. Empty the receiver.
- b. Check that the mains supply agrees with the motor label.
- c. No power from mains. Check fuses and plug.
- d. Bad connection or broken cable.
- e. The motor is overheated and the thermal protection has switched it off. When cooled the motor will turn on automatically. Go to section 5.
- f. The compressor has not been unloaded and there is back pressure on the piston. Ensure that the compressor is unloaded each time it stops.
- g. The motor is blocked.
- h. Defective capacitor.

2. The compressor makes a buzzing sound but does not start

- a. Leaky non-return valve. Dismount the pressure pipe and check if air leaks from the non-return valve. Clean and replace.
- b. The motor is blocked.

3. The compressor runs but the pressure does not increase

- Intake filter clogged. Replace.
- Non-return valve is clogged. Clean or replace.
- Leaks in fittings, tubes or pneumatic equipment. Check with soapy water or by letting unit stay over night disconnected from mains. Pressure drop should not exceed 1 bar.
- Check the piston gaskets. Replace if necessary.
- Defective valve plate. Contact your JUN-AIR distributor.

4. The motor gets very hot

- The ambient temperature is too high. If the motor is installed in a cabinet, sufficient ventilation must be ensured.
- Leaks in fittings, tubes or pneumatic equipment. Check with soapy water or by letting unit stay over night disconnected from mains. Pressure drop should not exceed 1 bar.
- The compressor is overloaded.

5. The compressor runs even if no air is tapped

- Leaks in fittings, tubes or pneumatic equipment. Check with soapy water or by letting unit stay over night disconnected from mains. Pressure drop should not exceed 1 bar.

6. The compressor does not start at min pressure or does not stop at max pressure.

- Defective pressure switch. Replace.

PRESSURE VESSEL

Pressure tested at	4-25 litre 24 bar
	40-50 litre 18.3 bar

Directions for use

Application	Receiver for compressed air
Receiver specifications	See name plate
Installation	Tubes, etc. must be installed with suitable materials
	Observe the working temperature of the receiver
Placement	Ensure sufficient room for inspection and maintenance
	The receiver must be kept in a horizontal position
	The surface treatment must be maintained as required
Corrosion protection	Internal inspection at least every five years
	Drain condensate at least once a week
Alternation/repair	No welding must be made on pressurized parts
	Ensures that PS will not be exceeded
	Never adjust to a higher pressure than PS
Safety valve	The capacity of the valve must be calculated in accordance with the volume of air supplied by the compressor
	PS - Maximum working pressure of the receiver

Technical Data & Specifications

Specifications		120R-40M	120R-40M03	2x120R-40M	2x120R-40M06
Tank size	liter	40	40	40	40
	U.S. gallon	10.6	10.6	10.6	10.6
Weight	kg	111	116	152	169
	lbs	245	256	335	373
Dimensions (LxWxH)****	mm	720 x 650 x 860		720 x 780 x 860	
	in	28.0 x 25.5 x 34.0		28.0 x 30.5 x 34.0	
Pumping time	@ 50 Hz	90 sec.	96 sec.	52 sec.	80 sec.
	@ 60 Hz	78 sec.	88 sec.	45 sec.	65 sec.
Noise level @ 1 m	@ 50 Hz	66 dB(a)	66 dB(a)	69 dB(a)	69 dB(a)
	@ 60 Hz	69 dB(a)	69 dB(a)	72 dB(a)	72 dB(a)

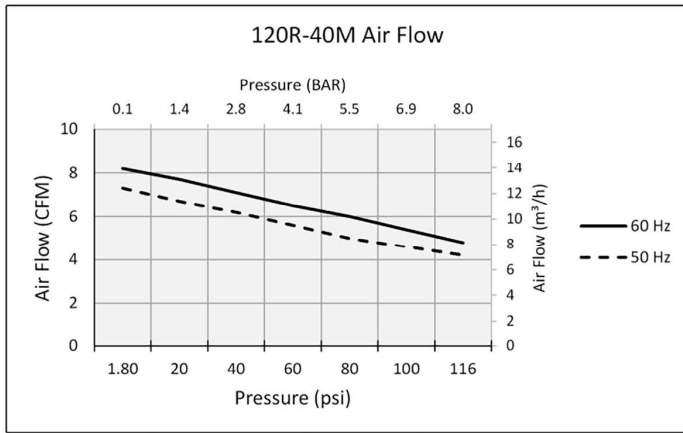
Technical modifications reserved.

Translations

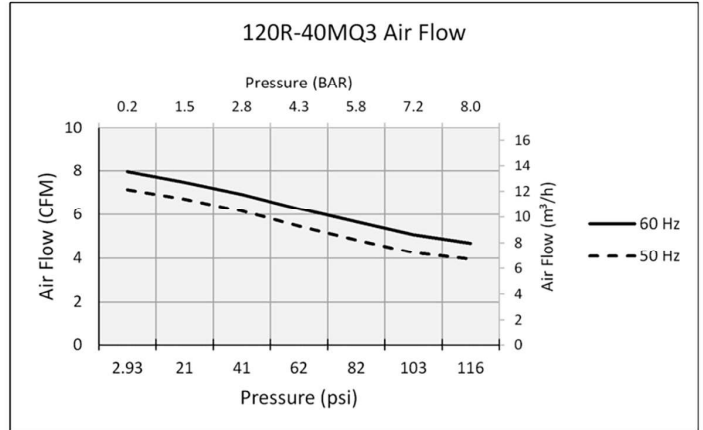
English	German	French	Spanish	Dutch	Dansk
Voltage	Spannung	Voltage	Voltaje	Voltage	Spænding
Frequency	Frequenz	Fréquence	Frecuencia	Frequentie	Frekvens
Power	Motor HP	Moteur CV	Motor CV	Motor HP	Effekt
Displacement	Ansaugleistung	Débit	Aire aspirado	Capaciteit	Ydelse
Max. pressure	Max. Druck	Pression de service max.	Presión de régimen máx.	Max. druk	Max. driftstryk
Max. current	Stromverbrauch	Consommation	Corriente máxima	Max. stroom	Strømforbrug
Tank size	Behältervolumen	Volume réservoir	Volumen de tanque	Tankvolume	Beholderstørrelse
Weight	Gewicht	Poids	Peso	Gewicht	Vægt
Dimensions (l x w x h)	Abmessungen (l x b x h)	Dimensions (l x p x h)	Dimensiones (l x a x h)	Afmetingen (l x w x h)	Dimensioner (l x b x h)
Noise level	Schallemissionen	Niveau sonore	Nivel de ruido	Geluidsniveau	Lydniveau
Pumping time	Pumpzeit	Temps de refoulement	Tiempo de bombeo	Pomptijd	Oppumpningstid
Neutral is required	Null-leiter ist erforderlich	Neutre nécessaire	Neutro necesairo	Neutraal noodzakelijk	Nul-leider kræves
Available for operation at a maximum pressure of 10 barg/145 psig upon request. Please note that operation at higher pressure will influence the life time.	Auf Anfrage erhältlich bis zu einem Betriebsdruck von max. 10 bar. Höherer Druck hat Auswirkungen auf die Lebensdauer.				Kan leveres til max. driftstryk på 10 bar. Bemærk at øget driftstryk reducerer levetiden.
Displacement is reduced by approx. 18-20% on units with dryer (D). Min. pressure required to operate dryer: 6 bar.	Bei Kompressoren mit Adsorptionstrockner reduziert sich die effektive Luftliefermenge um 18-20% (D). Mindestarbeitsdruck für den Lufttrockner beträgt 6 bar	Le débit est réduit de 18-20% pour les unités avec sécheur d'air (D) Pression min. 6 bar	Le capacidad se reduce con 18-20% para las unidades con secador de aire (D)	Bij systemen met droger is de capaciteit ca. 18-20% lager (D). Min. benodigde druk voor de droger: 6 bar	Ydelsen reduceres med ca. 18-20% på kompressorer med tørrer (D). Min. tryk til drift af tørrer: 6 bar
3-phase units are approx. 100 mm wider than 1-phase units	3 phasige Anlagen ca. 100 mm breiter.				3-fasede anlæg er ca. 100 mm bredere end 1-fasede anlæg.
Technical modifications reserved.	Technische Änderungen vorbehalten	Droits réservés pour modifications techniques	Reservamos el derecho a cambiar estas especificaciones técnicas sin previo aviso	Technische wijzigingen voorbehouden	Ret til ændringer forbeholdes

Performance Curves

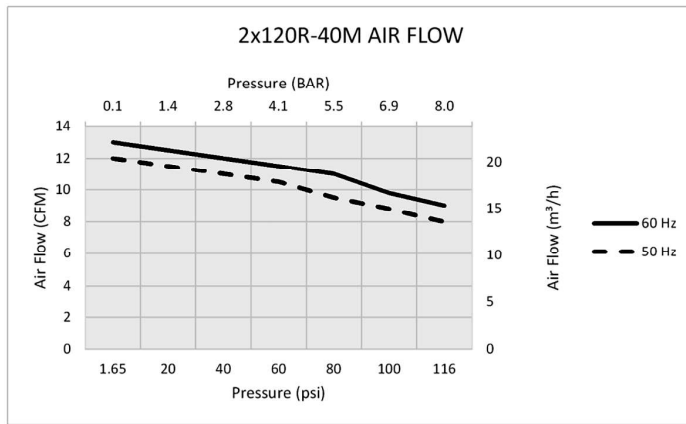
PRODUCT PERFORMANCE:



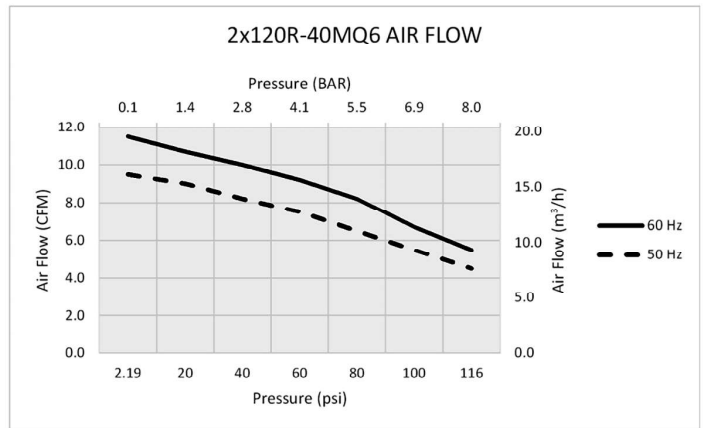
PRODUCT PERFORMANCE:



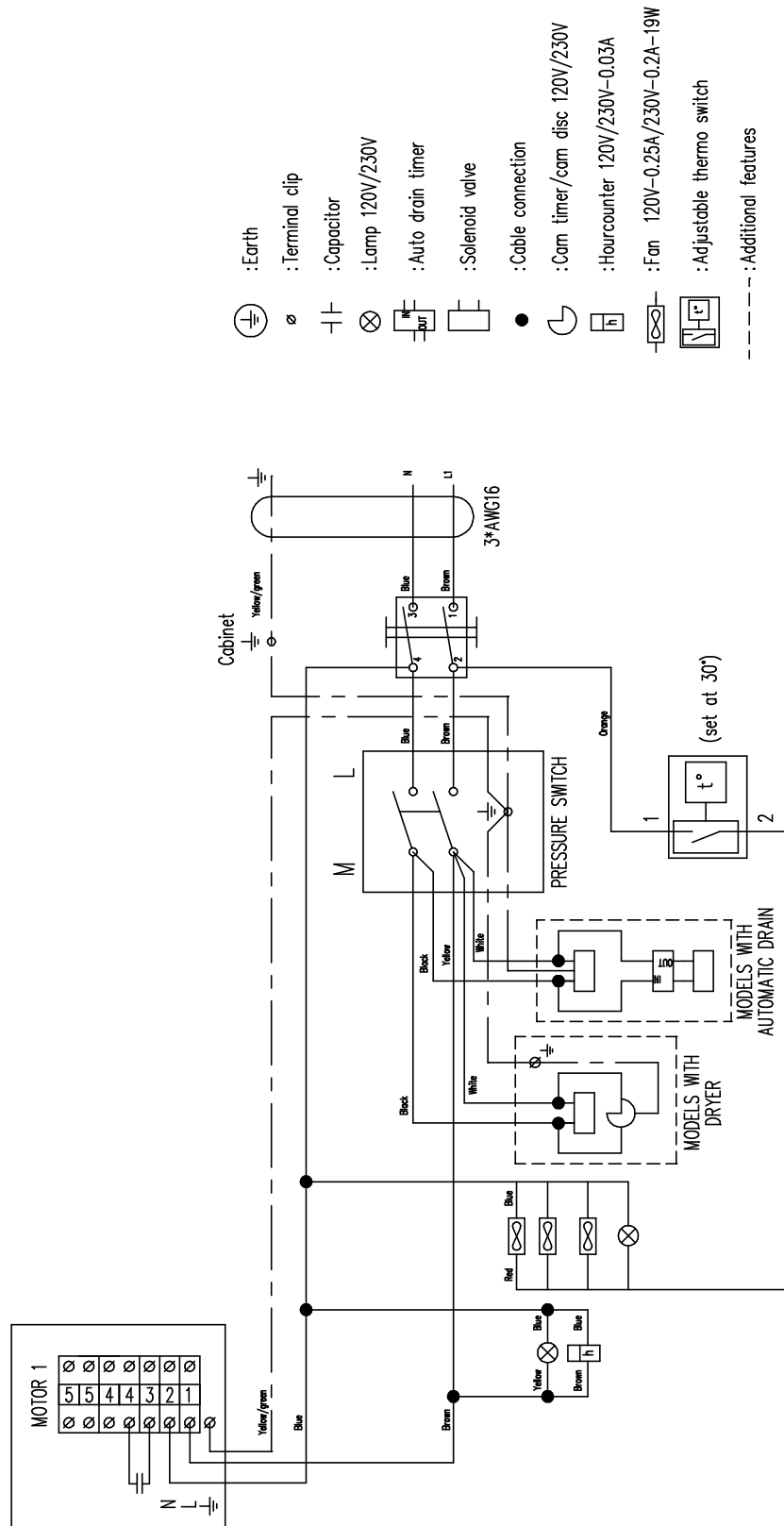
PRODUCT PERFORMANCE:



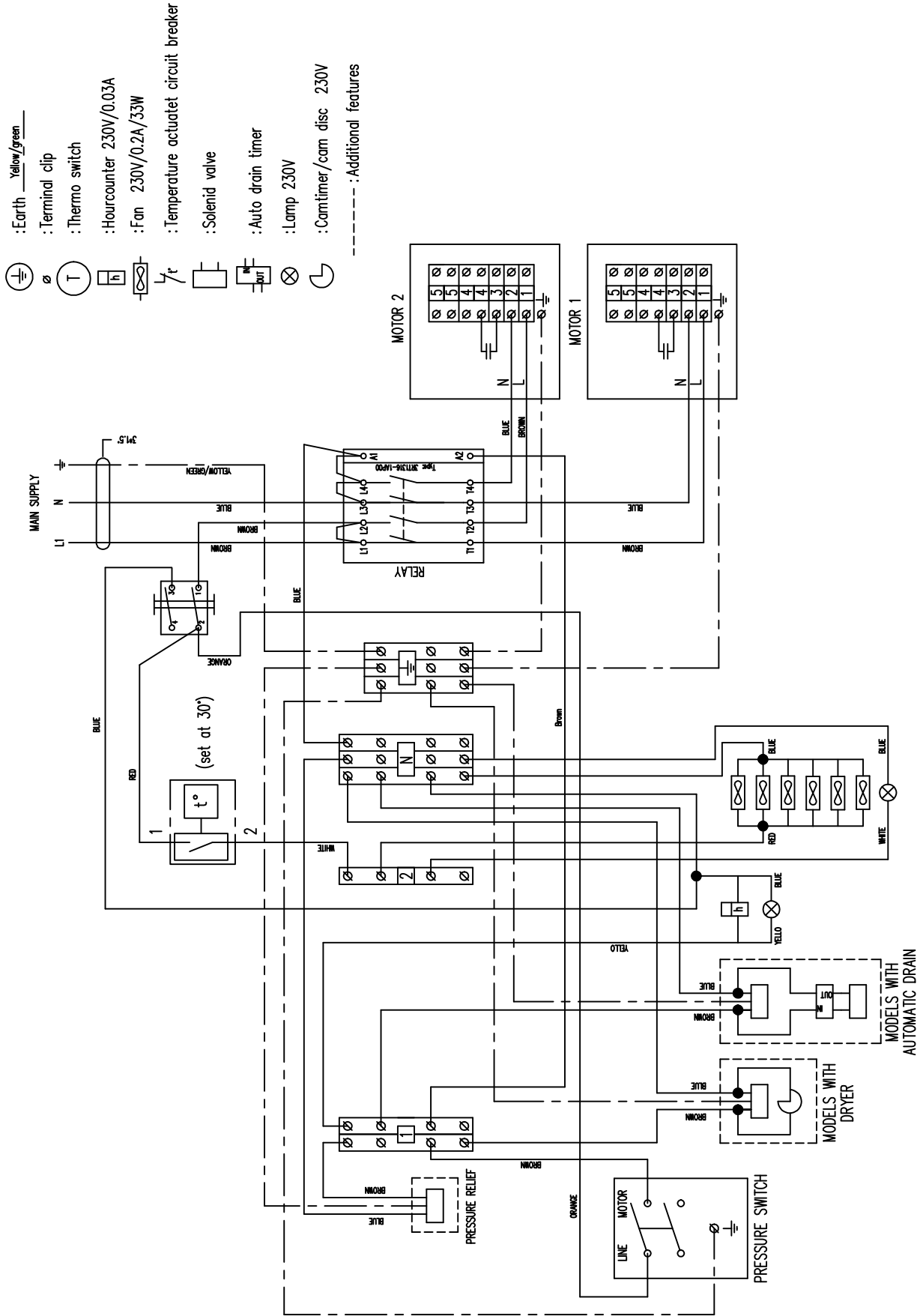
PRODUCT PERFORMANCE:



Electrical Drawing Model 120R-40M and 120R-40MQ3, 230 V/50/60 Hz



Electrical Drawing Model 2x120R-40M, 2x120R-40MQ6, 230 V/50/60 Hz



Parts & Accessories List

Compressor system	
120R689-P102M-N800NX	Compressor
3410087	Receiver, 25 l silver w/inspection plug internally coated for metal cabinet ASME
3410097	Receiver 25l with inspection plug f/metal cabinet, silver
3512199	Receiver 40 l for metal cabinet w/inspection plug silver internally coated CE/ASME
4071010	Filter 5um w/automatic drain, complete
4071020	Regulator R07-280-RNMG, 10 bar
4071290	Panel ring f/regulator and filter regulator
4082533	Dryer complete 2xOF302 & OF1201 OX 8 Bar
4082534	Dryer complete 2xOF302 & OF1201 OX 10 Bar
4083292	Dryer complete OF1202 C-D type OX 8 Bar
4083293	Dryer complete OF1202 C-D type OX 10 Bar
4083405	Dryer complete 2xOF1202 D-D type OX 8 Bar
4083406	Dryer complete 2xOF1202 D-D type OX 10 Bar
4141601	Rapid fitting 1/4" internal x Ø8 mm
4141700	Rapid fitting 1/4" external x Ø6
4141800	Rapid fitting elbow 1/8"xØ6
4141820	Rapid fitting elbow 1/8"internal x Ø6
4141860	Rapid fitting elbow 1/8" int. x Ø8
4142200	Rapid fitting elbow 1/8"xØ4
4143500	Rapid fitting elbow 1/8"xØ8
4143501	Rapid fitting 1/8" x Ø8
4146200	Rapid fitting elbow 1/4"xØ8 KQLO8-02S
4146203	Rapid fitting lead-in 1/4"xØ8mm
4146457	Rapid fitting Ø6-Ø6 mm pipe
4146800	Rapid fitting Ø6mmx1/4" elbow
4146801	Rapid fitting elbow 1/4" nt. x Ø6 mm
4146802	Rapid fitting lead-in 1/4" x Ø6 mm
4147000	Rapid fitting 1/8" ext. x Ø6mm
4147001	Rapid fitting lead-in 1/8" x Ø6 mm
4739200	Contact Danfoss C9/3x400V 50-60Hz
4739300	Contact Danfoss C9/220V
4739304	Contact 5.5 kW 230V/400V without neutral
4739403	Thermo relay 4.0-6.2A Danfoss
4739404	Thermo relay 6.0-9.2A Danfoss
4740000	Connector 2.5Q yellow/green
4740200	Connector 2.5Q grey
4740300	Plate f/connector
4740400	Cage clamp connector
4750000	Control lamp 230V
4750010	Control lamp 230V w/spade plug
4750200	Control lamp 120V
4752000	Hour counter 230V
4752200	Hour counter 120V
4752202	Hour counter 100-230V/50-60Hz
4752500	Camtimer 230V compl.
4752600	Camtimer 120V complete
4779901	Thermo switch ajustable
4781500	Plug male 3-pole f/metal cabinet
4783800	Switch f/metal cabinet (green)
4783901	Switch f/metal cabinet (20A)
4785600	Solenoid valve f/unloader 230V w/plug
4785650	Solenoid valve f/unloader 120V w/plug
4799500	Auto drain 220-240V series 590
4799600	Auto drain 120V series 590
5074800	Pressure switch MDR 21/11 4-way UL
5150000	Gauge Ø40 0-16 bar 1/8" built-in
5414500	Non return valve
5416100	Safety valve 12 bar / 177 psi
5417000	Safety valve 9 bar / 135 psi
5420000	Drain cock 1/4" 25l
5425700	Safety valve TÜV 12.2 bar
5447000	Radiator f/radiator & fan box
5450100	Fan 120V 120x120
5451000	Fan 230V 120x120
5612305	Drain bottle multi l compl. for metal cabinet
6241800	O-ring f/1" plug - 32x5 mm
6243710	O-ring f/plug Ø11.2x2.4 f/OF300
6245800	O-ring Ø47x5 f/1 1/2" plug
6295602	Grommet black Ø12xØ18x3mm
6295900	Cable relief PG16
6339900	Distance bolt f/metal cabinet
6339901	Distance bolt long f/metal cabinet
6340000	Unbraco plug 1/4"x12
6340500	Unbraco plug 1/8"
6340900	Unbraco bolt M5x10
6341800	Unbraco bolt M6x10 original
6357510	Spring washer Ø11.8xØ6.1x1.6
6358000	Washer Ø16xØ6.5x1
6376100	Nut 3/8" flat
6390100	Star washer type M14
6390200	Star washer type A M16
6451016	Teflon hose 1/4" 16 cm
6452028	Teflon hose 1/4" 28 cm with elbow
6452037	Teflon hose 1/4" 37 cm with elbow
6452052	Teflon hose 1/4" 52 cm with elbow
6951200	Wheel Ø75 mm
6951300	Wheel Ø75 mm w/brake
6984521	Cabinet plate 2-3 complete f/600-25M(D), OF301- 25M(D), OF302-25M(D), 1000-25M(D), 2000-25M(D) w/wheels RAL9002
6984522	Cabinet plate complete size C-MD
6984523	Cabinet plate complete size D-MD
6984916	Back B-M 230V Snapline
6984917	Back B-D 120V Snapline
6984918	Back B-D 230V Snapline
6984919	Door B-MD, C-MD and D-MD Snapline
6984924	Back C-MD 400V Snapline
6984925	Back C-MD 230V Snapline
6984935	Back D-MD Snapline
6984943	Front complete B-MD 120V Snapline
6984944	Front complete B-MD 230V Snapline
6984946	Front complete C-MD 230V Snapline
6984949	Front D-MD 230V Snapline
6984951	Mounting bracket complete D-D 2xOF1202 3x230V Snapline
6984952	Mounting bracket complete D-M 2xOF1202 3x230V Snapline
6984953	Mounting bracket complete D-M OF1202 3x230V Snapline
6984954	Mounting bracket complete C-M OF1202 3x230V Snapline
6984955	Mounting bracket complete C-D OF1202 3x400V Snapline
6984956	Mounting bracket complete C-M OF1202 3x400V Snapline
6984958	Mounting bracket complete C-M 230V (M2000 400V) Snapline
6984959	Mounting bracket complete D-M 2xOF1202 400V Snapline

Parts & Accessories List, continued

6984960	Mounting bracket complete A-D & BD 230V Snapline
6984961	Mounting bracket complete A-D & BD 120V Snapline
6984962	Mounting bracket complete A-M & B-M 230V Snapline
6984963	Mounting bracket complete A-M & B-M 120V Snapline
6984964	Mounting bracket complete C-D 230V (M2000 400V) Snapline
6984967	Mounting bracket complete D-D 2xOF1202 230V Snapline
6984968	Mounting bracket complete D-D 2xOF1202 400V Snapline
6984969	Mounting bracket complete D-M 2xOF1202 230V Snapline
6984972	Mounting bracket complete C-MD 230V & 400V Snapline
6984974	Mounting bracket complete D-MD 2xOF1202 Snapline
6984975	Mounting bracket complete B-MD OF1201 & M2000 & 2xOF302 230V Snapline
6984976	Mounting bracket complete B-MD OF1201 & M2000 & 2xOF302 120V Snapline
6985067	Mounting bracket size 3 f/cabinet
6985908	Mounting bracket A & B
6985928	Mounting bracket size C
6985948	Mounting bracket D
7020000	Double nipple 1/8"
7022100	Plug 1/8"
7024000	Double nipple 1/4" L= 26 mm
7024002	Double nipple 1/4" w/o-ring track
7025000	Double nipple 1/4"x1/8"
7025300	Bushing f/metal cabinet 1/4"
7025310	Bushing f/autodrain f/metal cabinet 1/8"
7026000	Bushing nipple
7070000	Connection piece f/non-return valve
7074000	Coupling 1/8"
7074500	Coupling 1/4"
7076000	Adaptor 4-way
7083000	Adaptor f/18-50
7160000	Cross connector 1/4"
7164900	Plug 1" f/inspection
7166033	Plug 1 1/2" f/inspection ASME
7167201	Plug 1/4" f/DF300
7180000	Elbow 1/4" int./ext. KRG
7190000	Elbow 1/8"
7565500	Bushing 1/4" int. x 1/8" ext.
7566000	Bushing 1/4" x 1/4"
7598600	Y-connection 1/8" (3 x int.)

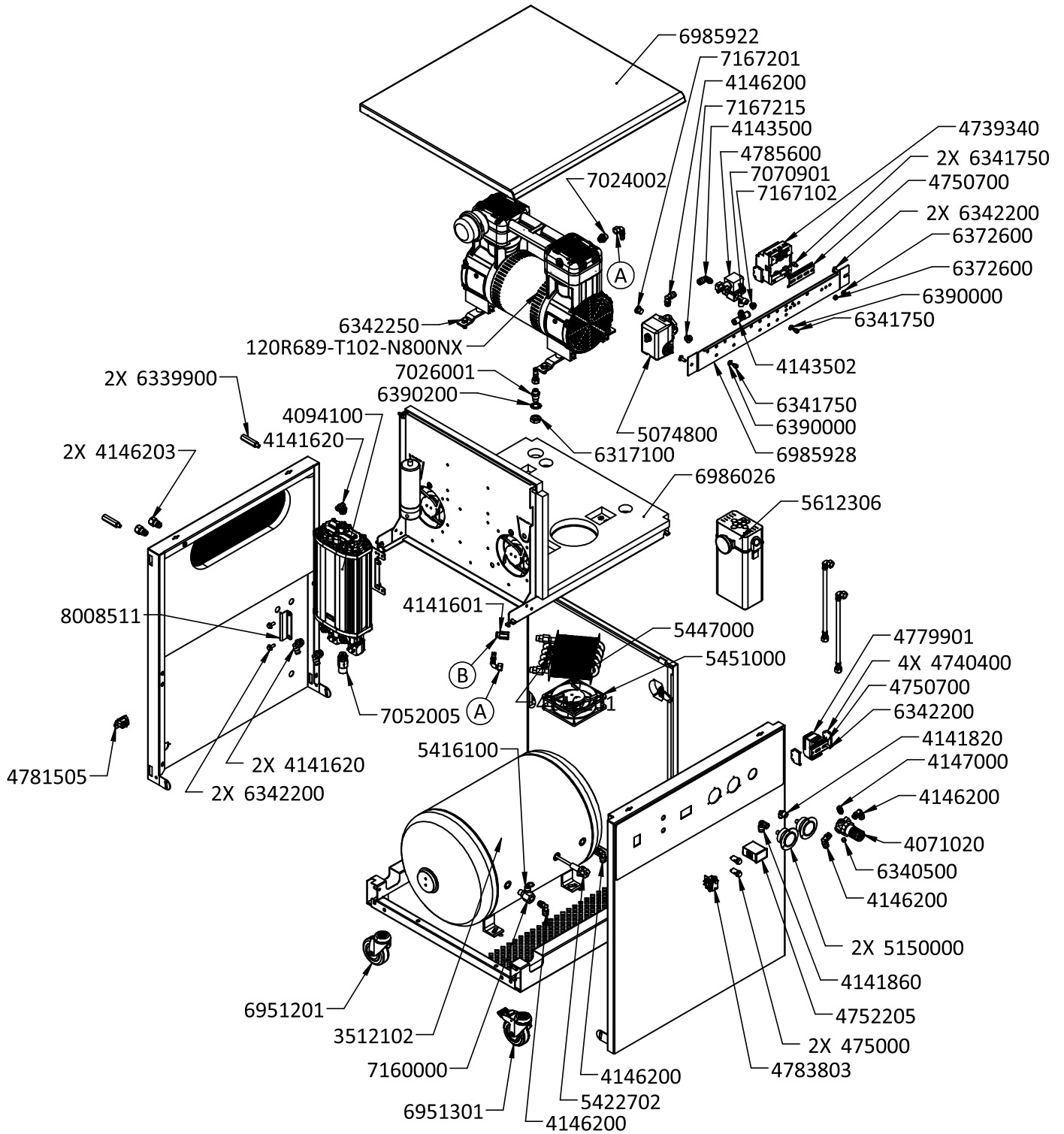
Compressor motor

5240607	Capacitor, run complete 60uF f/DF300/DF1202 (60 cm)
6320000	Nut M8 FZB
6321100	Nut M8 square, FZB
6331250	Screw M5x12 PH Torx
7024002	Double nipple 1/4" w/o-ring track

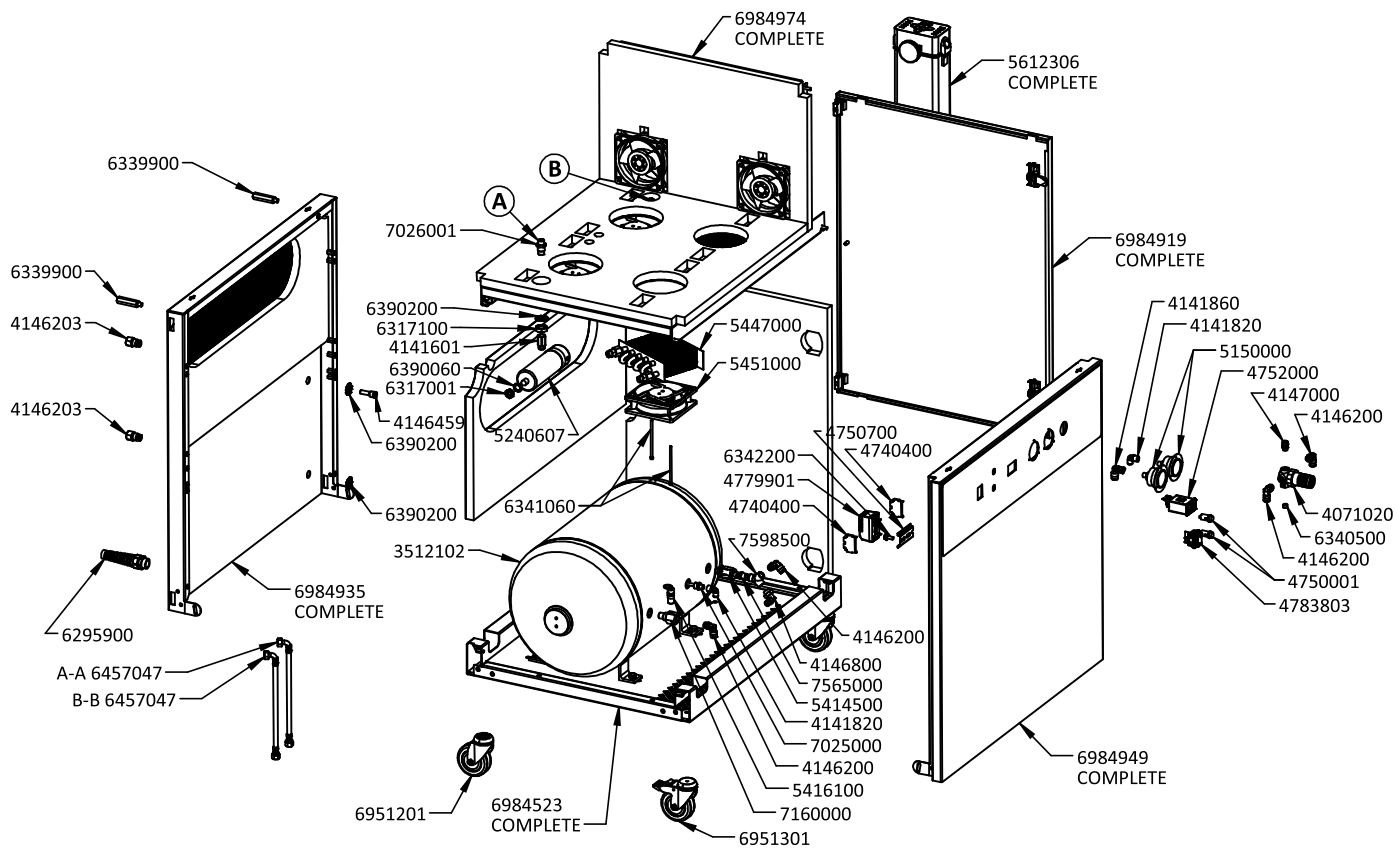
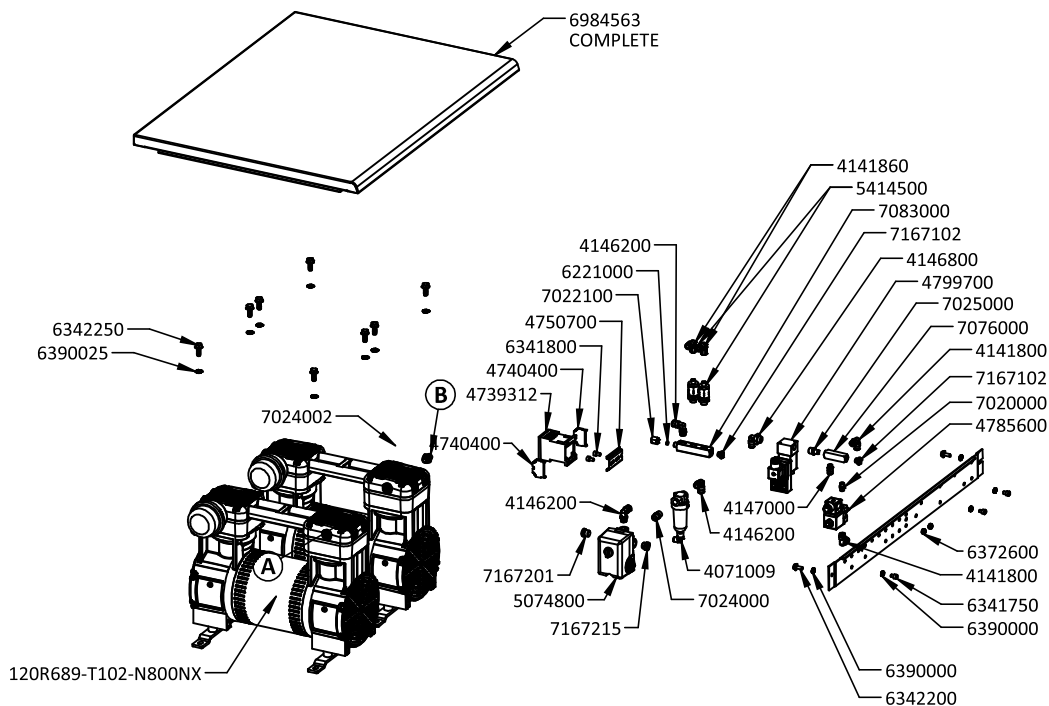
Miscellaneous

K1027	Preventative Maintenance Kit
K1028	Service Kit
K1031	Spare Parts Kit

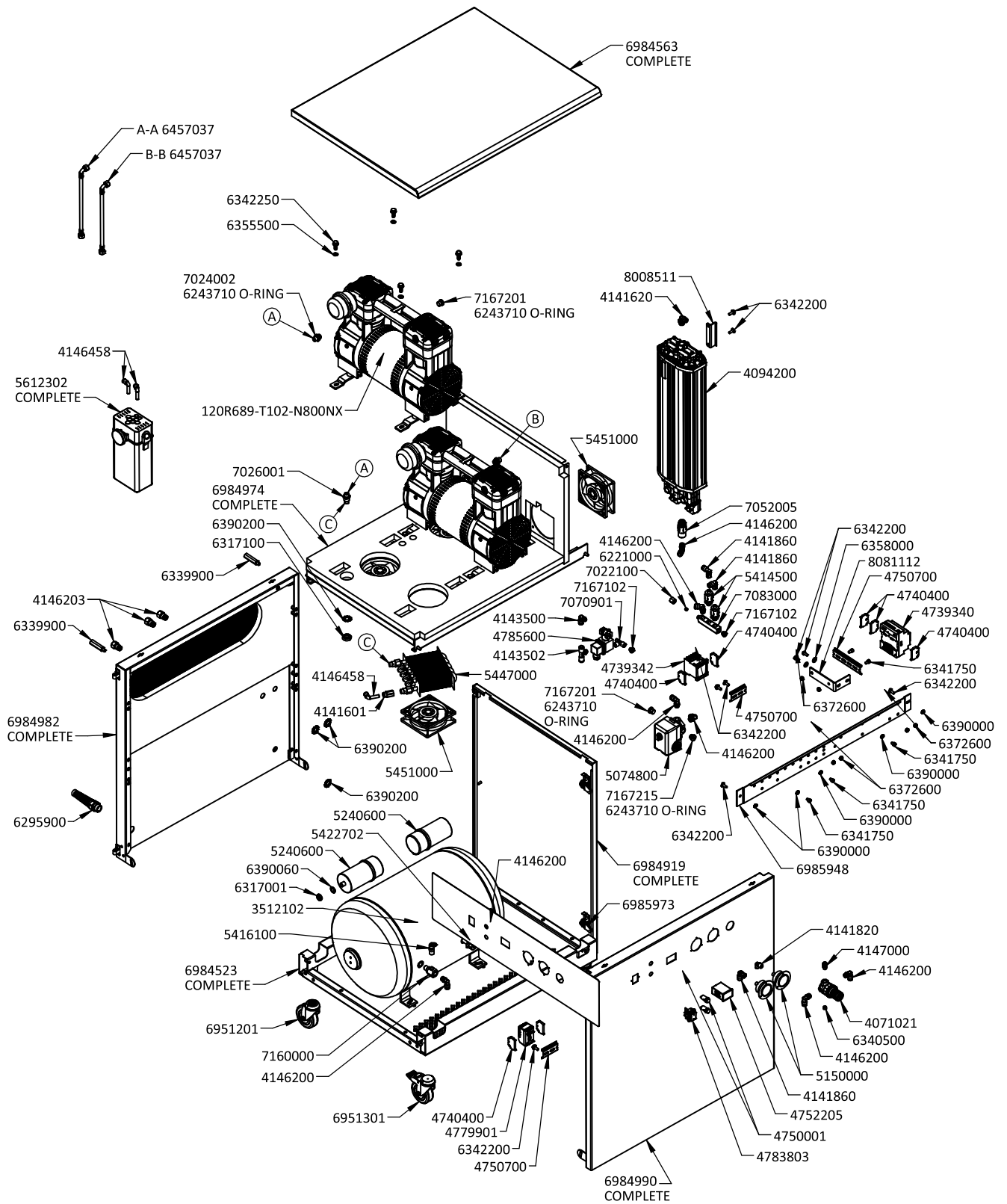
Spare Parts: Model 120R-40M03



Spare Parts: 2x120R-40M



Spare Parts: Model 2x120R-40MQ6




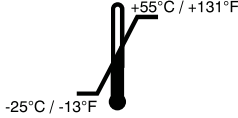
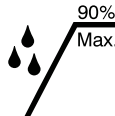






Symbols - Abbildungen - Symboler

The symbols found on the product and packing are explained below.

Folgende Abbildungen befinden sich an Produkt und Verpackung.

De symboler, der findes på produktet og på emballagen forklares i det følgende.

Symbol	English/GB Description	DE Beschreibung	DK Forklaring
	Caution! Please refer to enclosed documentation	Achtung! Beiliegende Hinweise beachten.	Bemærk! Se medfølgende dokumentation.
	Warning! Hot surfaces. Risk of burns. Do not touch the compressor head.	Achtung! Gefahr von Verbrennungen. Nicht berühren.	Advarsel! Varm overflade. Risiko for forbrændinger. Rør ikke ved kompressorens overflade.
	Keep dry. Do not expose to rain.	Vor Feuchtigkeit und Nässe schützen	Hold tørt. Må ikke udsættes for regn.
	Transport and storage: Temperature: -25°C to 55°C / -13°F to 131°F	Transport und Lagerung Temperatur: -25°C bis 55°C	Transport og opbevaring: Temperatur: -25°C to 55°C / -13°F to 131°F
	Transport and storage: Relative humidity: max. 90%	Transport und Lagerung Relative Luftfeuchtigkeit: max 90%	Transport og opbevaring: Relative humidity: max. 90%
	This side up.	Oben	Denne side op.
	This side up.	Oben	Denne side op.
	Fragile. Handle with care.	Vorsicht, zerbrechlich.	Håndter forsigtigt.
	Disposal in accordance with existing regulations for electric and electronic equipment.	Entsorgung nach Elektro- und Elektronikgerätegesetz.	Bortskaffes i henhold til gældende regler for elektrisk og elektronisk udstyr.

Gast Manufacturing

2300 M139 Highway
Benton Harbor, MI 49023
Ph: 269-926-6171
Fax: 269-927-0808

Gast Group Ltd.

Unit 11, The I O Centre
Nash Road
Redditch, B98 7AS
United Kingdom
Phone +44 (0)1527-504040
Fax +44 (0)1527-525262

www.JUN-AIR.com

JUN-AIR[®]
A BRAND OF **GAST**[®]