



## NAHDMI-W-B

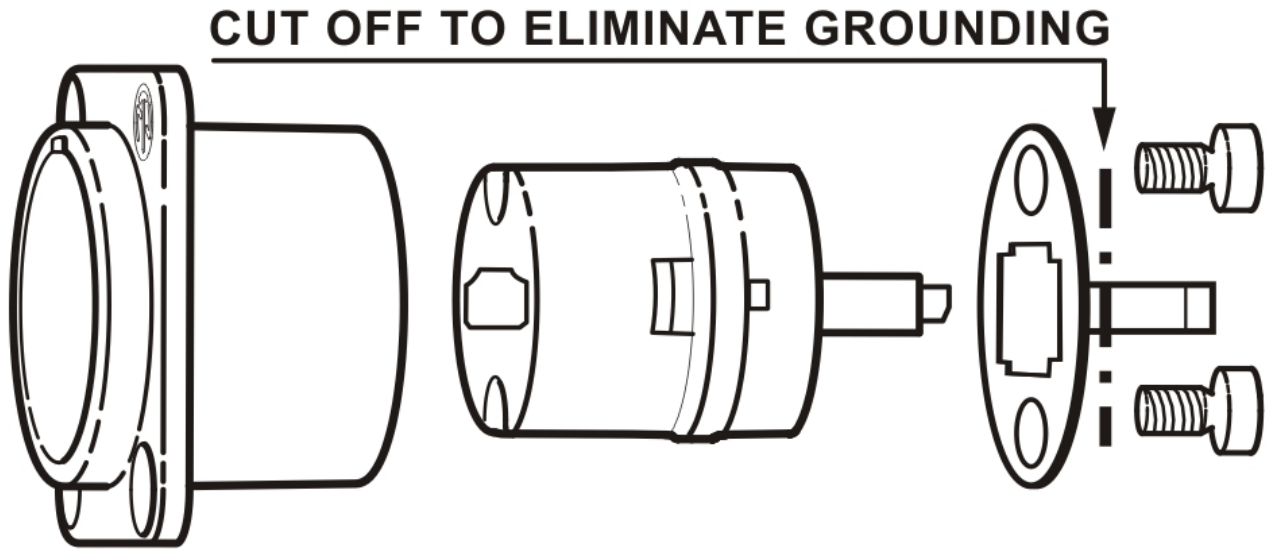
HDMI feedthrough adapter, black D-shape housing

Neutrik's HDMI solution for the transmission of any digital TV and PC video format including high-definition video (HDTV) can be integrated in networks very easy.

### Features & Benefits

- To transmit any digital TV and PC video format including high-definition video (HDTV)
- IP65 ingress protection in mated condition with NKHDMI-\* and SCDP-\* sealing gasket
- Removable screen to chassis grounding
- HDMI feedthrough adapter with 19 pole HDMI receptacle at both ends
- Universally accepted standard D-shape housing
- Shielded system - high noise immunity and EMI protection due to continuous 360 degree shield

Removable screen to chassis grounding



## Technical Information

| Product                |            |
|------------------------|------------|
| <b>Title</b>           | NAHDMI-W-B |
| <b>Connection Type</b> | Adapter    |
| <b>Gender</b>          | female     |

| Mechanical                |   |
|---------------------------|---|
| <b>Wiresize</b>           |   |
| <b>Locking device</b>     | Push-Pull   |
| <b>Mounting direction</b> | Front or rear mounting (max 2 mm panel thickness) |
| <b>Chassis shape</b>      | D   |
| <b>Lifetime</b>           | > 1000 mating cycles                              |

| Material               |                         |
|------------------------|-------------------------|
| <b>Contact plating</b> | Au                      |
| <b>Contacts</b>        | Brass (CuZn39Pb3)       |
| <b>Insert</b>          |                         |
| <b>Shell</b>           | Zinc diecast (ZnAl4Cu1) |
| <b>Shell plating</b>   | Black chromium          |

| Environmental              |                  |
|----------------------------|------------------|
| <b>Flammability</b>        | UL 94 V-0        |
| <b>Standard compliance</b> | HDMI 2.0         |
| <b>Temperature range</b>   | -25 °C to +85 °C |

