

Product Specifications

Part Numbers Information

Electrical Specifications

Voltage Rating: 250VAC
Operating Temperature: -55°C ~ 125°C

Standards

160mA-20A
File E197390
Tested to IEC 60127 standards



Interrupting Rating

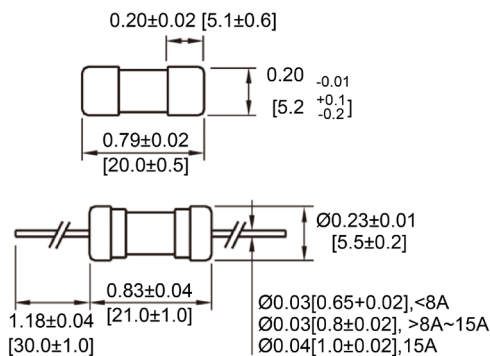
35A or 10In @ 250VAC (125mA-16A)
(whichever value is larger)

Material Specifications

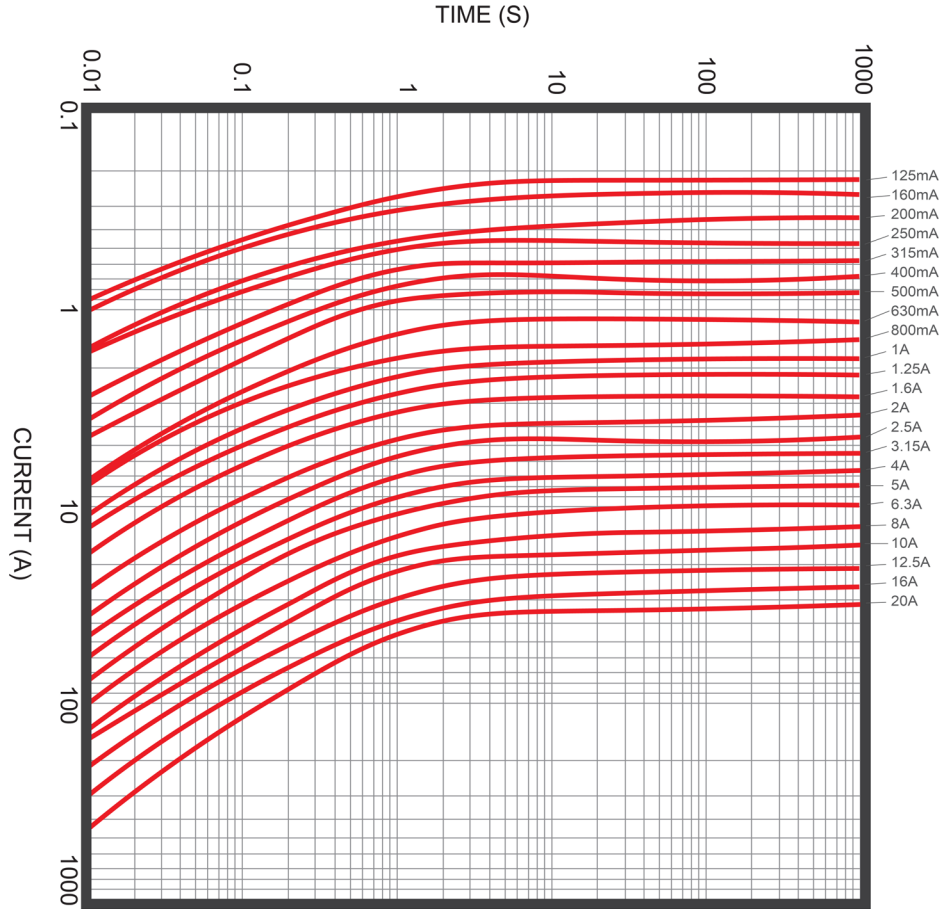
Body Material: Glass

Cartridge P/N	Axial Lead P/N	Ampere Rating	I ² T Reference (A ² Sec)
FSD-160mA	FSD-P-160mA	160mA	0.0099
FSD-200mA	FSD-P-200mA	200mA	0.02563
FSD-250mA	FSD-P-250mA	250mA	0.02717
FSD-315mA	FSD-P-315mA	315mA	0.082
FSD-400mA	FSD-P-400mA	400mA	0.1224
FSD-500mA	FSD-P-500mA	500mA	0.205
FSD-630mA	FSD-P-630mA	630mA	0.5505
FSD-750mA	FSD-P-750mA	750mA	0.778
FSD-800mA	FSD-P-800mA	800mA	0.5747
FSD-1A	FSD-P-1A	1A	1.24
FSD-1.25A	FSD-P-1.25A	1.25A	1.81
FSD-1.6A	FSD-P-1.6A	1.6A	3.2
FSD-2A	FSD-P-2A	2A	7.256
FSD-2.5A	FSD-P-2.5A	2.5A	13.69
FSD-3.15A	FSD-P-3.15A	3.15A	22.33
FSD-4A	FSD-P-4A	4A	35.19
FSD-5A	FSD-P-5A	5A	58.83
FSD-6.3A	FSD-P-6.3A	6.3A	104.6
FSD-8A	FSD-P-8A	8A	185.6
FSD-10A	FSD-P-10A	10A	244.4
FSD-12A	FSD-P-12A	12A	428.5
FSD-12.5A	FSD-P-12.5A	12.5A	473.1
FSD-15A	FSD-P-15A	15A	838.8
FSD-16A	FSD-P-16A	16A	894.7
FSD-20A	FSD-P-20A	20A	1877

Mechanical Dimensions: Inches [mm]

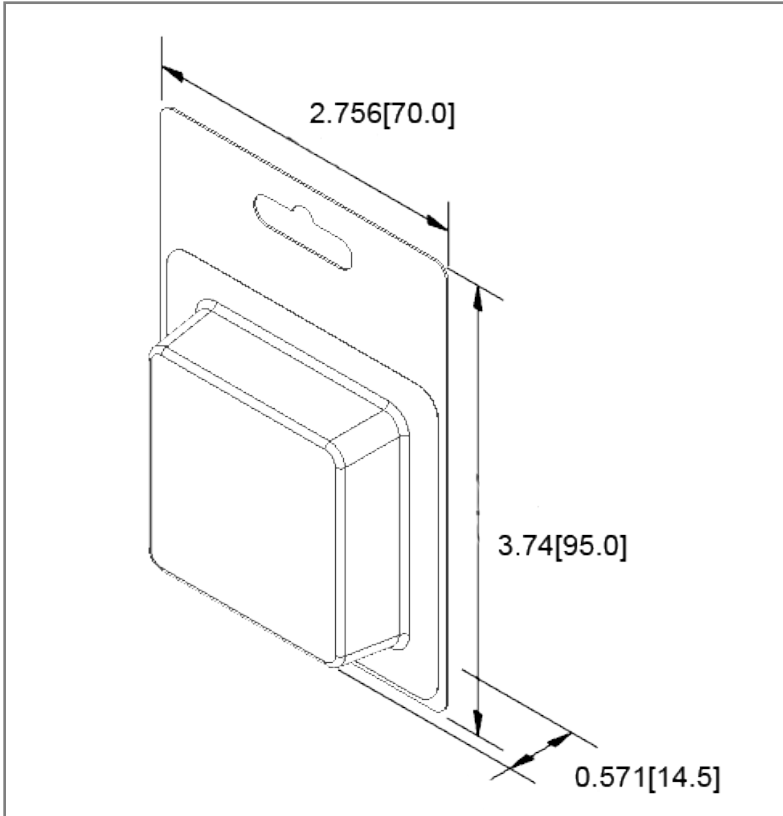


Time vs Percent of Rated Current

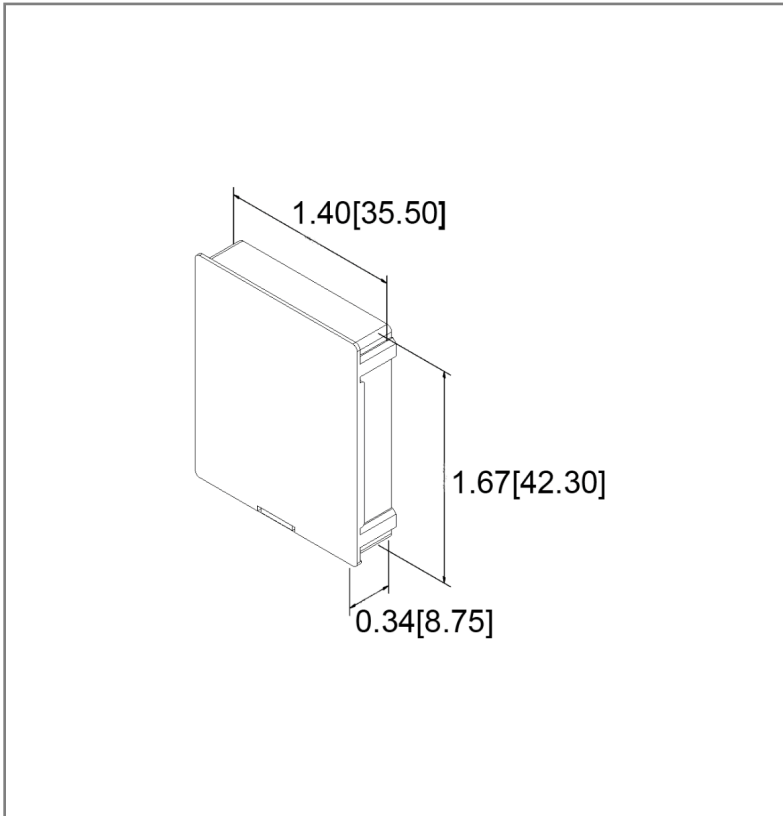


% of Rated Current	Current Rating	Min Hold Time	Max Hold Time
210%	100mA-125mA	-	30 min
275%		10ms	500ms
300%		3ms	100ms
1000%		-	20ms
210%	>125mA-6.3A	-	30min
275%		50ms	2s
300%		10ms	300ms
1000%		-	20ms
210%	8A-10A	-	30min
275%		50ms	2s
300%		10ms	400ms
1000%		-	40ms
210%	12A-16A	-	30min
275%		50ms	3s
300%		10ms	400ms
1000%		-	50ms
210%	>16A	-	30min
275%		100ms	6s
300%		20ms	600ms
1000%		-	60ms

Blister Pack: Inches [mm]



Pill Box: Inches [mm]



Retail Pack Part Number Information

Ampere Rating	Retail Pack # Blister Card (5PCS)	Retail Pack # Pill Box (5PCS)
160mA	FSD-160mA-BP	FSD-160mA-BX
200mA	FSD-200mA-BP	FSD-200mA-BX
250mA	FSD-250mA-BP	FSD-250mA-BX
315mA	FSD-315mA-BP	FSD-315mA-BX
400mA	FSD-400mA-BP	FSD-400mA-BX
500mA	FSD-500mA-BP	FSD-500mA-BX
630mA	FSD-630mA-BP	FSD-630mA-BX
750mA	FSD-750mA-BP	FSD-750mA-BX
800mA	FSD-800mA-BP	FSD-800mA-BX
1A	FSD-1A-BP	FSD-1A-BX
1.25A	FSD-1.25A-BP	FSD-1.25A-BX
1.6A	FSD-1.6A-BP	FSD-1.6A-BX
2A	FSD-2A-BP	FSD-2A-BX
2.5A	FSD-2.5A-BP	FSD-2.5A-BX
3.15A	FSD-3.15A-BP	FSD-3.15A-BX
4A	FSD-4A-BP	FSD-4A-BX
5A	FSD-5A-BP	FSD-5A-BX
6.3A	FSD-6.3A-BP	FSD-6.3A-BX
8A	FSD-8A-BP	FSD-8A-BX
10A	FSD-10A-BP	FSD-10A-BX
12A	FSD-12A-BP	FSD-12A-BX
15A	FSD-15A-BP	FSD-15A-BX
16A	FSD-16A-BP	FSD-16A-BX
20A	FSD-20A-BP	FSD-20A-BX

* Retail packs are for cartridge style fuses only

Rev Date of issue Revision Notes

Designed Approved

I	12-11-2025	Updated Amperages	RC	OF
---	------------	-------------------	----	----