



PLEASE READ AND SAVE THESE INSTRUCTIONS

FRESHEN AIRE SCENTED AIR MOVER  
W/ NEGATIVE ION GENERATOR

## OWNER'S MANUAL

P-150N, P-250NT, P-260NT, P-450NT

(115V/60Hz)

XPOWER MANUFACTURE, INC.  
668 S. 6th Ave., City of Industry, CA 91746, USA  
Tel: 626-285-3301 Fax: 626-285-3302  
[www.xpower.com](http://www.xpower.com)



# INDEX

Introduction .....	2
Operation .....	3
XPOWER Scented Beads Usage Directions .....	4,5
Safety Instructions .....	6
Specifications .....	7
Parts List .....	8
Maintenance/Troubleshooting .....	9
Products & Accessories .....	10
Warranty/Service .....	11
Warranty Registration Form .....	12

# INTRODUCTION

Use XPOWER Scented Air Movers with Anion switch to enhance ambiance and indoor air quality. A patented scent cartridge quickly fragrances the air and is easily refilled with a scented bead fragrance of your choice. The unit's built in ionizer generates revitalizing negative ions to reduce pollutants such as airborne dust, allergens, and malodors. Enjoy a boosted energy/mood as ionized air helps to increase oxygen flow and decrease fatigue. Available in models from 1/8 HP to 1/3HP, these professional level multifunctional utility air movers are precision built for efficient ventilating and drying.

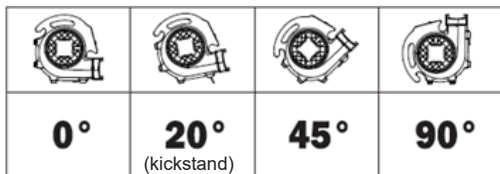
## Industry Leading Design

- Super Quiet Motor
- Lightweight
- Easy Carrying Handle
- Rugged Housing
- 3-Hour Timer (except P-150N)
- 3 or 4 Speed Switch

## Multiple Applications /Uses

- Jan/San
- Hotels/Hospitality
- Spas & Salons
- Retail
- Gyms & Fitness Centers
- Home

What's inside: Air Mover, Refillable Scented Bead Cartridge, Lime Scented Bead Sample



## AIR MOVER STORAGE:

Air Movers can be stacked (up to 4) on their sides for storage.

**NOTICE:** Stacking feature is not secure for transportation.



# OPERATION

## READ ALL INSTRUCTIONS BEFORE OPERATING

1. Prior to plugging the unit into the power source, inspect completely for any shipping damage.
2. Plug the electrical cord into the power outlet.
3. Carefully place the unit on a stable, flat, dry surface.
4. Position unit to desired angle to direct air flow.
5. Turn switch to desired speed.
6. To generate negative ions, flip green anion switch from OFF (O) position to ON (—).
7. Make sure unit operates normally and air flow vents are not obstructed.
8. To reduce the risk of injury, close supervision is necessary when an appliance is used near children. Do not allow children to play with or around an Air Mover at any time.

### SETTING OPTIONAL TIMER

Turn dial to select  
desired time

(1-180 minutes)

“ON” position sets

unit for continuous use

\*\* No Timer feature for P-150N

SPEEDS



# XPOWER SCENTED BEADS USAGE DIRECTIONS

## Use Steps:

- 1.Remove scent cartridge from the air mover by turning counterclockwise while unit is positioned facing you.(Fig1)
- 2.Flip hinged top open.
- 3.Scented bead bottle is included with your purchase.(Fig2)
- 4.Open bead bottle and pour beads into scent cartridge according to the scent intensity desired. (Fig3)
- 5.Reassemble by screwing cartridge back into the unit clockwise.
- 6.Turn on the Scent Air mover at the MAX speed for Fast fill, then switch to low speed to maintain the scent.

Suggested usage(all measurements below are at **maximum speed** )

<b>Room Size</b>	<b>Fill Amount</b>	<b>Fast Fill Time</b>
Small Room(<1500 cu ft)	1/4 Cartridge	5 Min
Medium Room(1500 cu ft<3000 cu ft)	1/4 Cartridge	15 Min
Large Room(>3000cu ft)	1/2 Cartridge	30 Min

# SAFETY INSTRUCTIONS



## WARNING - TO REDUCE RISK OF FIRE, ELECTRIC SHOCK OR INJURY:

1. To prevent electric shock, do not operate the unit in standing water. Never plug in or unplug the unit with wet hands or while standing in water.
2. To avoid risk of injury, do not direct air flow at face or body.
3. To reduce the risk of fire or electric shock, do not use the Air Mover with any solid-state speed control device.
4. Use only with GFCI protected receptacles. Please contact a qualified electrician for verification and / or installation of a GFCI receptacle if necessary.
5. Do not operate the Air Mover with a damaged cord or plug. Discard the unit or return it to an authorized service facility for examination and/or repair.
6. Unplug the Air Mover from the power supply before servicing or cleaning.
7. Do not run the power cord under carpeting. Do not cover the power cord with throw rugs, runners, or similar coverings. Place the power cord away from traffic area to prevent tripping.
8. Do not allow children to play with or around the Air Mover at any time.
9. Do not move or carry the Air Mover while unit is operating.
10. It's Automatically Operated Device, To Reduce The Risk Of Injury Disconnect From Power Supply Before Servicing.

## Store Directions:

1. Pour scented beads in cartridge back into the original scented bottle or other sealed container after every use to keep scent fresh.(Fig4)
2. Store bottle or container in cool,dry place till next use.
3. Dispose of scented beads after scent dissipates.
4. XPOWER scented refills are recommended.



Fig1



Fig2



Fig3



Fig4

## Warning:

Do not ingest. Handle scented beads with care. Choking hazard. Keep out of reach of children and pets.

If swallowed, induce vomiting. Seek medical assistance immediately. Contact with product may cause eye or skin irritation. If eye contact occurs, flush eyes thoroughly with water. If skin contact occurs, wash area with soap and water.

If you have questions or comments please  
call 855-855-8868 or visit [www.XPOWER.com](http://www.XPOWER.com)  
<http://www.xpower.com/scented-beads-resources>

## SPECIFICATIONS

Model	P-150N	P-250NT	P-260NT	P-450NT
Volt / Frequency	115V / 60Hz			
Power	1/8 HP	1/5 HP		1/3 HP
Amp	1.5 Amps	2.3 Amps		3.8 Amps
Rated Airflow (On High)	500 CFM	800 CFM		2000 CFM
RPM	650/950/1200	1000/1250/1500	450/650/1100/1500	1000/1350/1600
Speeds	Three		Four	Three
Unit / Box Weight (LBS)	9.1 / 10.8	9.9 / 11.1	10.0 / 11.2	16.3 / 20.3
Unit / Box Size (L "x W" x H")	10.7x12.4x13.3 / 13.6x12.8x11			13.9x14.8x14.6 / 15.5x15x15.2
Power Cord (Length/Size)	10'/18 AWG			20'/18AWG
3-Hour Timer	No	Yes		
Negative Ion Switch	Yes			
Positions	4 (0°, 20° Kickstand, 45°, 90°)			
Overheating Protection	Thermally Protected			
Housing	Injection Mold / Polypropylene (PP)			
Safety Certificates	ETL / C-ETL			

## MAINTENANCE/TROUBLESHOOTING

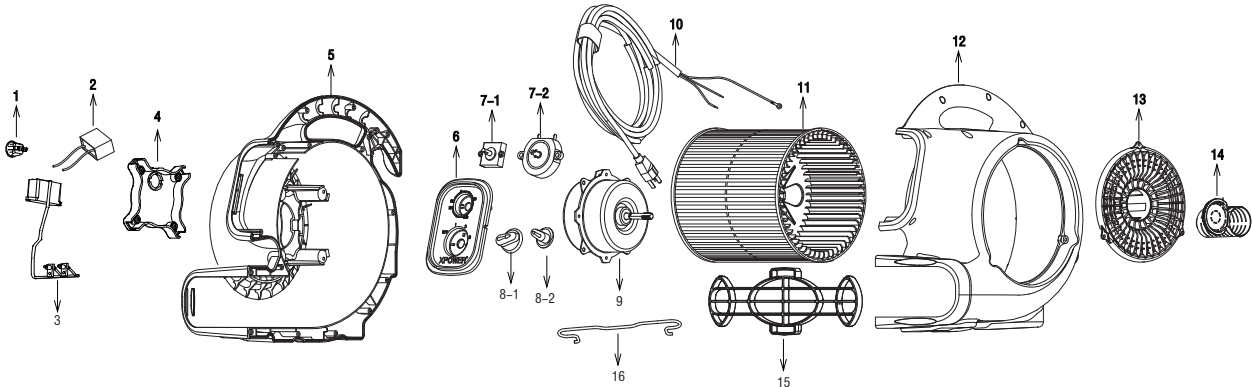
1. To keep unit clean, use a damp cloth to wipe the surface of the housing.
2. Never clean Air Mover by rinsing or spraying directly with water.
3. When not in use, unplug and store unit in a dry indoor place out of reach of children.
4. Always disconnect Air Mover from its power source before performing any maintenance or cleaning.

For any problems not listed below, call your local distributor or contact the XPOWER Service Department.

PROBLEM	POSSIBLE CAUSE	SOLUTION
Air Mover not running	No power input	Plug in the Air Mover & check
	Switch not turned on	Turn on switch
	Air Mover fan wheel jammed	Remove material jamming fan wheel
	Intake or exhaust blocked	Turn unit off and allow to cool, then remove blockage
Air Mover vibrates	Accumulation of dirt on fan blades	Clean Air Mover fan Blades

# PART LIST

Item No.	Parts Name	Item No.	Parts Name
1	Negative Ion Switch	2	Capacitor
3	Negative Ion Generator	4	Grid Cover (Motor Side)
5	Left Housing	6	Switch & Timer plate
7-1 / 7-2	Switch / Timer (except P-150N)	8-1 / 8-2	Switch / Timer Knob (except P-150N)
9	Motor	10	Power Cord
11	Fan	12	Right Housing
13	Grid Cover(Fan Side)	14	Fragrance Cartridge
15	Air Outlet Grid Cover	16	Kick Stand
17	Rubber Feet (Not Shown)	18	Screws and Nuts (Not Shown)



## **PRODUCTS & ACCESSORIES**

Visit [www.xpower.com](http://www.xpower.com) for Complete Product Selection

- Air Movers
- Axial Fans
- Air Scrubbers
- Dehumidifiers
- Pet Force Dryers
- Pet Stand Dryers
- Cage Dryers
- Inflatable Blowers

Additional Scented Bead Fragrances Available at  
[Amazon.com](http://Amazon.com) and [Airchaser.com](http://Airchaser.com) (XPOWER master distributor)

XPOWER MANUFACTURER, INC. 668 S. 6th Ave., City of Industry, CA 91746, USA  
Tel: 626-285-3301 Fax: 626-285-3302

## **XPOWER LIMITED WARRANTY (USA)**

XPOWER's Limited Warranty covers the unit (excludes POWER CORD) from defects in material and craftsmanship. The Warranty covers normal use for a term of one year from the original date of purchase including parts, labor and one way shipping. Non-contiguous states must pay for roundtrip freight. A purchase receipt must be provided.

### **Important!**

This warranty does not cover or apply to defects due directly or indirectly to misuse, abuse, disassembly, alteration, corrosive chemicals, improper voltage, fire, flood, negligence, accident, improperly or incorrectly performed maintenance or repair, or failure to perform necessary maintenance or repair, or if the use of this product is not in compliance with the instructions and specifications for its use.

### **Service**

For Warranty service and parts replacement (US users only), you must:

- A. Call 1-855-855-8868 for a RMA (Return-Merchandise-Authorization) number.
- B. Have original proof of purchase.
- C. Use the original undamaged packaging or an industrial certified packaging method.

End user will be responsible to ship the unit (with RMA Number showing on the shipping label) to the XPOWER Service Department. XPOWER to inspect, assess and advise the repairs needed and the applicable cost, if any. For users outside the US, please contact XPOWER Distributor in your country or region for Warranty service and parts replacement.

# Warranty Registration (for US user only)

For your product warranty, please complete and mail / fax this form to XPOWER MANUFACTURE, INC.

Address: 668 S. 6th Ave., City of Industry, CA 91746, USA    Tel: 626-285-3301    Fax: 626-285-3302

(For your convenience, register your product online at [xpower.com](http://xpower.com))

Company Name / Contact Person / Title \_\_\_\_\_

Address \_\_\_\_\_ City \_\_\_\_\_

State / Province \_\_\_\_\_ Zip \_\_\_\_\_ Country \_\_\_\_\_

Phone \_\_\_\_\_ Fax \_\_\_\_\_ E-mail \_\_\_\_\_

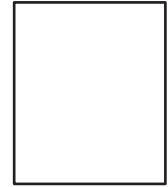
Model # \_\_\_\_\_ Serial #: \_\_\_\_\_

Date of Purchase \_\_\_\_/\_\_\_\_/\_\_\_\_ Purchased From \_\_\_\_\_

Additional Comments / Suggestions \_\_\_\_\_



From: \_\_\_\_\_  
\_\_\_\_\_  
\_\_\_\_\_



TO:

XPOWER MANUFACTURE, INC.  
668 S. 6th Ave.,  
City of Industry, CA 91746, USA

