

KT-LED15DL-6CA-830-DIM-CS

6" CONTRACTOR PRIME SURFACE MOUNT DISK LIGHT

DESCRIPTION

6" Circular LED Residential Retrofit Disk Light

APPLICATION

Ideal for residential, hospitality, retail, and other retrofit and new construction applications

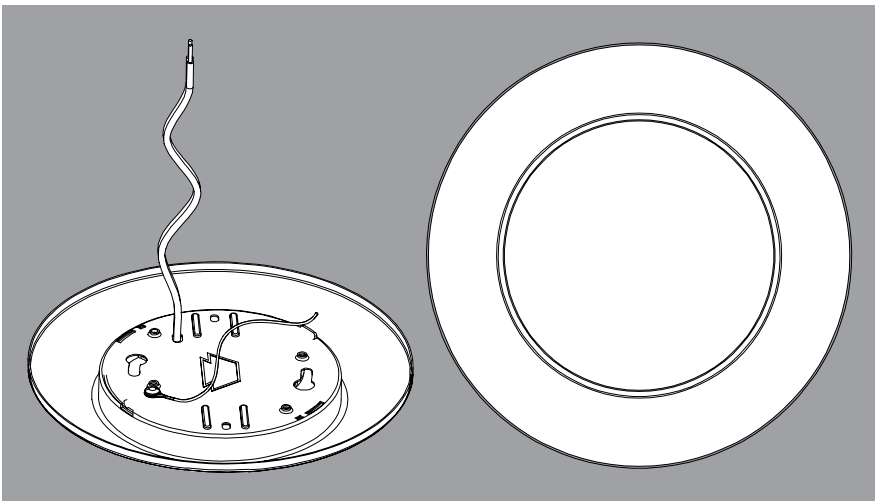


PRODUCT FEATURES

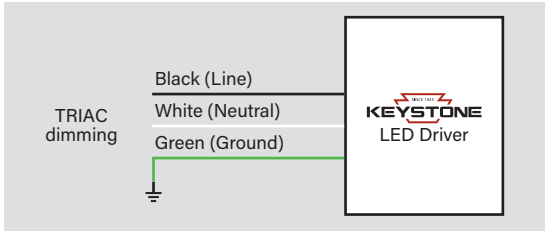
- Ideal for retrofit, new construction, and remodel applications
- Flush-mount offers clean, modern appearance
- Diffused lens reduces glare
- Powered by Keystone TRIAC dimming LED driver; 10–100% dimming
- Ambient operating temperature: –30°C/–22°F to 40°C/104°F
- Suitable for use in wet locations
- Power factor: > 0.90
- THD: < 20%
- FCC Part 15, Subpart B, Class B

PERFORMANCE SPECIFICATIONS

| Catalog Number | Input Voltage | Wattage | CCT | Lumen Output | Efficacy | CRI | Beam Angle | Lifetime |
|---------------------------|---------------|---------|-------|--------------|----------|-----|------------|------------|
| KT-LED15DL-4CA-830-DIM-CS | 120V | 15W | 3000K | 1100 | 73 lm/W | >80 | 110° | 11,000 hrs |



GENERAL WIRING DIAGRAM

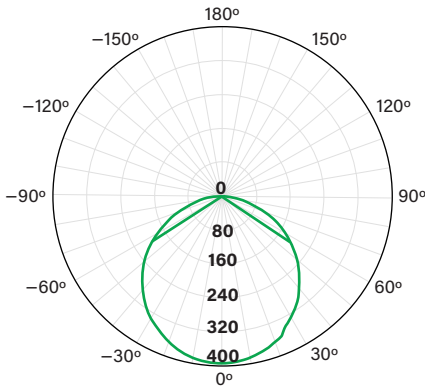


KT-LED15DL-6CA-830-DIM-CS

6" CONTRACTOR PRIME SURFACE MOUNT DISK LIGHT

PHOTOMETRICS SPECIFICATIONS

LUMINOUS INTENSITY DISTRIBUTION



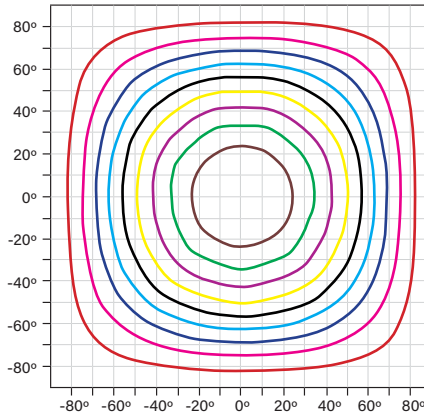
Average Beam Angle (50%): **113.2°**

1 Violet C0/180, 113.1

2 Green C90/270, 113.2

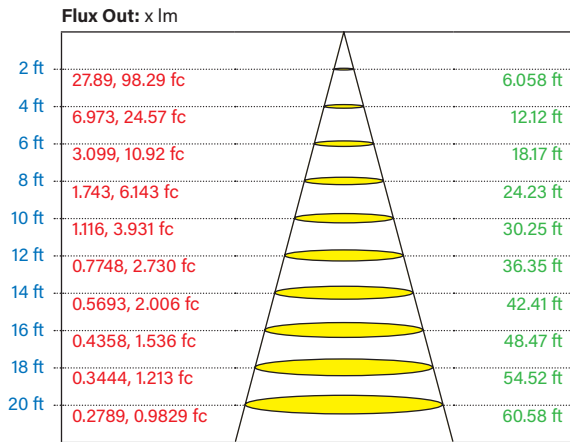
Unit: cd

ISOCANDELA PLOT

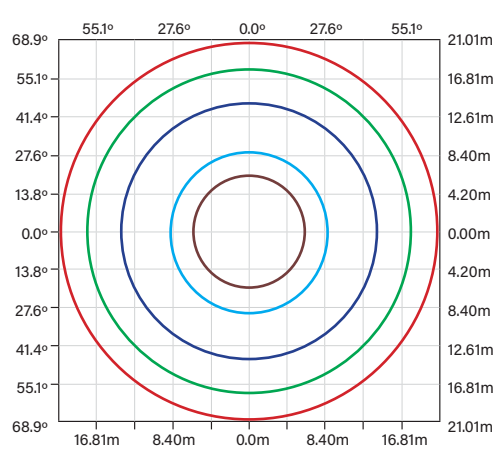


- Cd: 90, 353.2%
 - Cd: 80, 314.0%
 - Cd: 70, 274.7%
 - Cd: 60, 235.5%
 - Cd: 50, 196.2%
 - Cd: 40, 157.0%
 - Cd: 30, 117.7%
 - Cd: 20, 78.50%
 - Cd: 10, 39.25%
- Point of Max Cd: x

LUX DISTANCE CURVE



ISOCANDELA PLOT

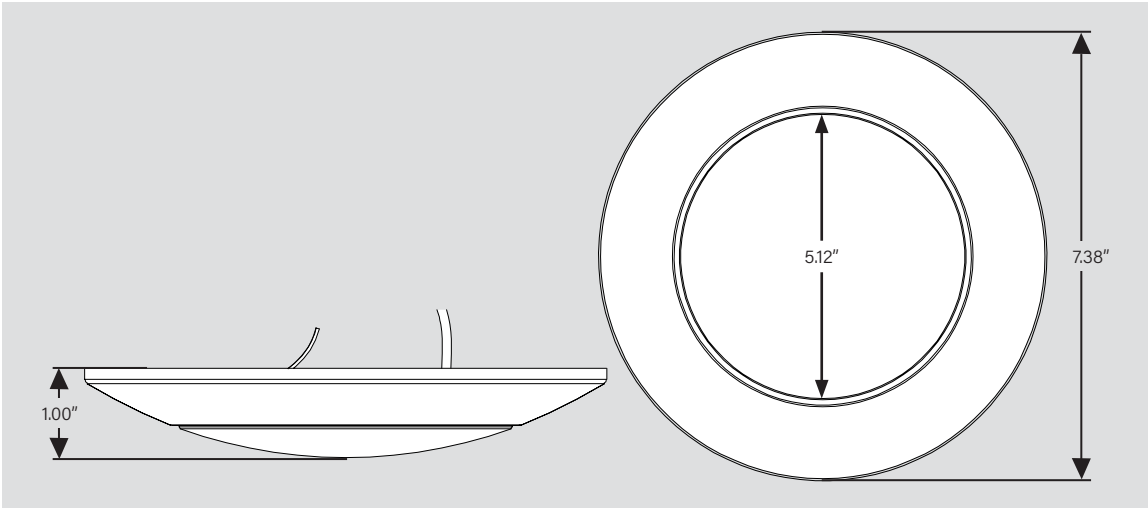


- 3% 0.11761 x 0.01092 fc
- 5% 0.19591 x 0.0182 fc
- 10% 0.39181 x 0.0364 fc
- 30% 1.1761 x 0.1092 fc
- 50% 1.9591 x 0.182 fc

Curves show illuminated area and average illumination when lamp is at various distances.

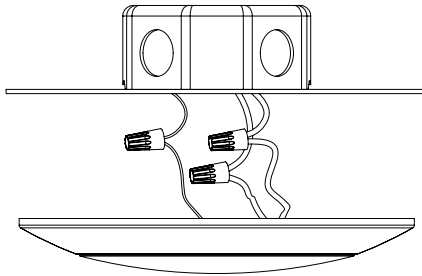
KT-LED15DL-6CA-830-DIM-CS
6" CONTRACTOR PRIME SURFACE MOUNT DISK LIGHT

PHYSICAL SPECIFICATIONS



INSTALLATION INSTRUCTIONS

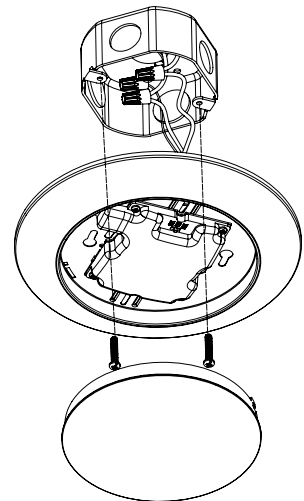
1. Connect the luminaire to supply wires with the wire nuts (included).



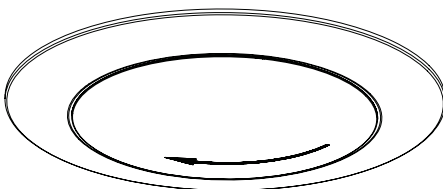
2. Remove lens by turning counter clockwise to unlock.



3. Safely place all wires into the junction box, mount luminaire to the junction box and screws through the keyhole slots. 6" luminaires are compatible with either 2.75" or 3.5" junction boxes.



4. Replace lens and twist clockwise to lock.



(Instructions continued on next page)



KT-LED15DL-6CA-830-DIM-CS

6" CONTRACTOR PRIME SURFACE MOUNT DISK LIGHT

ORDERING INFORMATION

| Catalog Number | Pack Qty. | UPC | Easy Code |
|---------------------------|-----------|--------------|-----------|
| KT-LED15DL-6CA-830-DIM-CS | 20 | 843654156903 | WMC-49 |

CATALOG NUMBER BREAKDOWN

KT-LED15DL-6CA-830-DIM-CS

- 1
- 2
- 3
- 4
- 5
- 6
- 7
- 8
- 9
- 10
- 11

- 1 Keystone Technologies**
- 2 LED Technology**
- 3 Wattage**
- 4 Fixture Type**
 - DL Disk Light
- 5 Nominal Size**
 - 6 6" Nominal
- 6 Shape**
 - C Circular
- 7 Designation**
 - A Series A Design
- 10 Dimming**
 - DIM TRIAC Dimmable
- 8 80 CRI**
- 9 Color Temperature**
- 11 Contractor Series**