

LIQUID TIGHT CONNECTORS



FEATURES

- 40 mil gray PVC exterior coating
- 2 mil red urethane interior coating
- 10 trade sizes from 3/8" through 4"
- Sealing sleeves on all female conduit openings
- Available in straight, 45°, or 90° body configurations
- Available with an external grounding lug

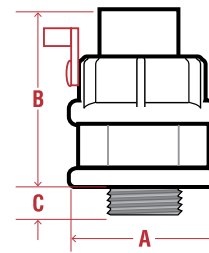
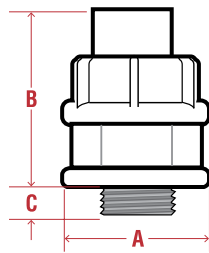
STANDARDS

Ferrous Only

- UL 514B (E200413)
- UL 467 (E217890): 3/8" to 1"

DESCRIPTION

Plasti-Bond REDH₂O liquid tight connectors are used to wire motors, transformers, processing equipment, pumps, etc. The flexible conduit and the PVC-coated connector work together to seal out water and other corrosive liquids, protecting the conductors from damage.

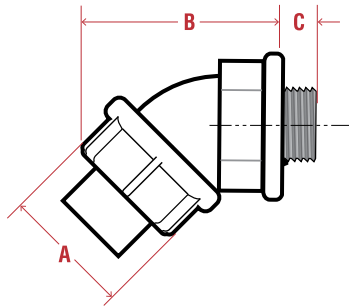


STRAIGHT CONNECTOR

PIPE SIZE	FERROUS CATALOG #	A	B	C	NOMINAL WEIGHT	ALUMINUM CATALOG #
3/8"	PR5331	1.24	1.50	0.56	0.2	PR5231AL
1/2"	PR5332	1.46	1.56	0.56	0.2	PR5232AL
3/4"	PR5333	1.74	1.63	0.56	0.3	PR5233AL
1"	PR5334	1.96	2.06	0.75	0.4	PR5234AL
1-1/4"	PR5335	2.36	2.50	0.81	0.8	PR5235AL
1-1/2"	PR5336	2.80	2.69	0.81	0.9	PR5236AL
2"	PR5337	3.33	3.06	0.88	1.7	PR5237AL
2-1/2"	PR5338	3.83	4.13	1.00	3.0	PR5238AL
3"	PR5339	4.58	4.25	1.00	4.2	PR5239AL
4"	PR5340	5.58	4.50	1.13	6.2	PR5240AL

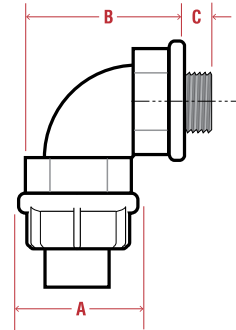
STRAIGHT CONNECTOR WITH GROUND

PIPE SIZE	FERROUS CATALOG #	A	B	C	NOMINAL WEIGHT	ALUMINUM CATALOG #
3/8"	PR5331GR	1.24	1.50	0.56	0.2	PR5231GRAL
1/2"	PR5332GR	1.46	1.56	0.56	0.2	PR5232GRAL
3/4"	PR5333GR	1.74	1.63	0.56	0.3	PR5233GRAL
1"	PR5334GR	1.96	2.06	0.75	0.4	PR5234GRAL
1-1/4"	PR5335GR	2.33	2.50	0.81	0.8	PR5235GRAL
1-1/2"	PR5336GR	3.33	2.69	0.81	0.9	PR5236GRAL
2"	PR5337GR	3.89	3.06	0.88	1.7	PR5237GRAL
2-1/2"	PR5338GR	4.52	4.13	1.00	3.0	PR5238GRAL
3"	PR5339GR	5.27	4.25	1.00	4.2	PR5239GRAL
4"	PR5340GR	6.21	4.50	1.13	6.2	PR5240GRAL



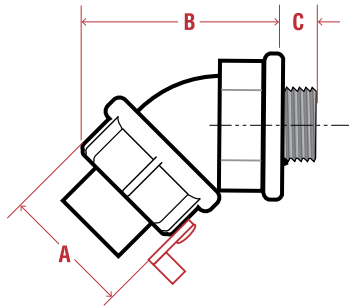
45° CONNECTOR

PIPE SIZE	FERROUS CATALOG #	A	B	C	NOMINAL WEIGHT
3/8"	PR5341	1.24	1.56	0.56	0.3
1/2"	PR5342	1.46	1.88	0.56	0.3
3/4"	PR5343	1.74	2.13	0.56	0.4
1"	PR5344	1.96	2.25	0.75	0.5
1-1/4"	PR5345	2.36	2.75	0.81	1.5
1-1/2"	PR5346	2.8	3.38	0.81	1.2
2"	PR5347	3.33	3.88	0.88	2.0
2-1/2"	PR5348	3.83	4.25	1.00	3.0
3"	PR5349	4.58	4.25	1.00	4.2
4"	PR5350	5.58	4.63	1.13	6.2



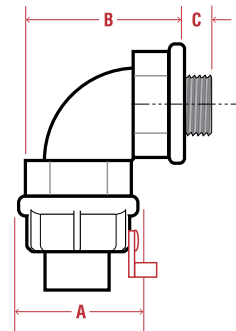
90° CONNECTOR

PIPE SIZE	FERROUS CATALOG #	A	B	C	NOMINAL WEIGHT	ALUMINUM CATALOG #
3/8"	PR5351	1.24	1.38	0.56	0.3	PR5251AL
1/2"	PR5352	1.46	1.56	0.56	0.3	PR5252AL
3/4"	PR5353	1.74	1.75	0.56	0.4	PR5253AL
1"	PR5354	1.96	2.19	0.75	0.6	PR5254AL
1-1/4"	PR5355	2.36	2.75	0.81	1.0	PR5255AL
1-1/2"	PR5356	2.80	2.94	0.81	1.7	PR5256AL
2"	PR5357	3.33	3.44	0.88	2.7	PR5257AL
2-1/2"	PR5358	3.83	8.88	1.00	3.8	-
3"	PR5359	4.58	10.25	1.00	4.2	-
4"	PR5360	5.58	12.63	1.13	6.2	-



45° CONNECTOR WITH GROUND

PIPE SIZE	FERROUS CATALOG #	A	B	C	NOMINAL WEIGHT
3/8"	PR5341GR	1.24	1.56	0.56	0.3
1/2"	PR5342GR	1.46	1.88	0.56	0.3
3/4"	PR5343GR	1.74	2.13	0.56	0.4
1"	PR5344GR	1.96	2.25	0.75	0.5
1-1/4"	PR5345GR	2.33	2.75	0.81	1.5
1-1/2"	PR5346GR	3.33	3.38	0.81	1.2
2"	PR5347GR	3.89	3.88	0.88	2.0
2-1/2"	PR5348GR	4.52	4.25	1.00	3.0
3"	PR5349GR	5.27	4.25	1.00	4.2
4"	PR5350GR	6.21	4.63	1.13	6.2



90° CONNECTOR WITH GROUND

PIPE SIZE	FERROUS CATALOG #	A	B	C	NOMINAL WEIGHT	ALUMINUM CATALOG #
3/8"	PR5351GR	1.24	1.25	0.56	0.3	PR5251GRAL
1/2"	PR5352GR	1.46	1.44	0.56	0.3	PR5252GRAL
3/4"	PR5353GR	1.74	1.81	0.56	0.4	PR5253GRAL
1"	PR5354GR	1.96	2.06	0.75	0.6	PR5254GRAL
1-1/4"	PR5355GR	2.33	2.50	0.81	1.0	PR5255GRAL
1-1/2"	PR5356GR	3.33	2.94	0.81	1.7	PR5256GRAL
2"	PR5357GR	3.89	3.44	0.88	2.7	PR5257GRAL
2-1/2"	PR5358GR	4.52	8.88	1.00	3.8	-
3"	PR5359GR	5.27	10.25	1.00	4.2	-
4"	PR5360GR	6.21	12.63	1.13	6.2	-