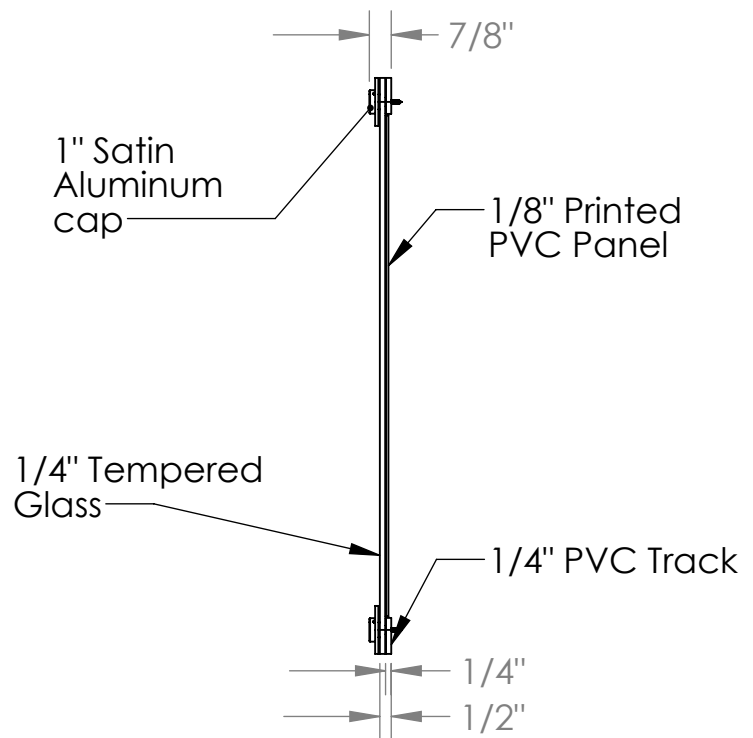
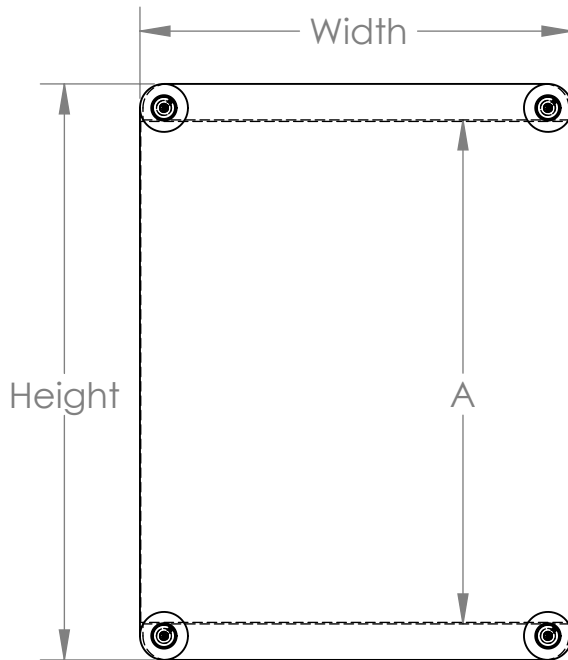


Changeable Glassboard

Product Specifications



Materials:

- 1" satin aluminum stand-off caps
- Writing surface: 1/4" tempered low-iron glass
- Insert: 1/8" printed PVC panel
- Tracks: 1/4" PVC

Features:

- Comes off the wall 1/2" when installed
- VividCore insert slides from right or left
- Insert can be printed single or double-sided
- Non-magnetic surface
- Lifetime surface warranty
- Round corner standard; square corner available upon request

Notes:

- Indoor use only

Specs:

Part	Width	Height	"A"
GRPHMYRNFM11P-18-12V	18"	24"	20-7/8"
GRPHMYRNFM11P-18-12H	24"	18"	14-7/8"
GRPHMYRNFM11P-23-12H	24"	36"	32-7/8"
GRPHMYRNFM11P-23-12V	36"	24"	20-7/8"