

# CONTENT

CAUTIONS .....	1
PARAMETERS .....	2
FEATURES .....	3
PRODUCT DESCRIPTION .....	4
OPERATION .....	5
MAINTENANCE .....	6
TROUBLE SHOOTING .....	7

- Please read all instructions carefully.
- Retain instructions for future reference.
- Separate and count all parts and hardware.
- Read through each step carefully and follow the proper order.
- Always place the product on a flat, steady and stable surface.
- We recommend that, where possible, all items are assembled near to the area in which they will be placed in use, to avoid moving the product unnecessarily once assembled.
- Keep all small parts and packaging materials for this product away from babies and children as they potentially pose a serious choking hazard.

## **Please keep this manual carefully for further reference!**

Thank you for selecting our dehumidifier. Be sure to read this manual carefully before using it. Any questions, please contact our customer for help.

### 1. BEFORE YOU BEGIN

Please read the operating instructions carefully before using your dehumidifier for the first time.

#### 1.1 PRODUCT DESCRIPTION

The dehumidifier is used to remove excessive moisture from the air. The resulting reduction in relative humidity protects buildings and their contents from the adverse effects of excess humidity.

### 2. FOR YOUR SAFETY

Your safety is the most important thing we concerned!

Please read this manual carefully and fully understand before operating your dehumidifier.

#### 2.1 OPERATIONAL PRECAUTIONS

 **WARNING-** To reduce the risk of fire, electric shock or injury to persons or property:

- If the supply cord is damaged, it must be replaced by the manufacturer, in order to avoid a hazard.
  - The appliance shall be disconnected from its power source during maintenance.
  - Always operate the unit from a power source of equal voltage, frequency and rating as indicated on the product identification plate.
  - Always use a power outlet that is grounded.
  - Unplug the power cord when cleaning or when not in use.
  - Do not operate with wet hands. Prevent water from spilling onto the unit.
  - Do not immerse or expose the unit to rain, moisture or any other liquid.
  - Do not leave the unit running unattended.
- Do not tilt or turn over the unit.
- Do not unplug while the unit is operating.
  - Do not unplug by pulling on the power cord.
  - Do not use an extension cord or an adapter plug.
  - Do not put objects on the unit.
  - Do not climb or sit on the unit.
  - Do not insert fingers or other objects into the air outlet.
  - Do not touch the air inlet or the aluminum fins of the unit.
  - Do not operate the unit if it is dropped, damaged or showing signs of product malfunction.
  - Do not clean the appliance with any chemicals.

# CAUTIONS

---

- Ensure the unit is far away from fire, inflammable, or explosive objects.
- The unit shall be installed in accordance with national wiring regulations.
- Do not use means to accelerate the defrosting process or to clean, other than those recommended by the manufacturer.
- The appliance shall be stored in a room without continuously operation sources(for example: open flames, an operating gas appliance or an operating electric heater).
- The appliance shall be stored so as to prevent mechanical damage from occurring.
- Do not piece or burn, even after use.
- Be aware that refrigerants may not contain an odour.
- Pipe-work shall be protected from physical damage and shall not be installed in an unventilated space, if that space is smaller than 43 sq.ft.
- Compliance with national gas regulations shall be observed.
- Keep any required ventilation openings clear of obstruction.
- The appliance shall be stored in a well-ventilated area where the room size corresponds to the room area as specified for operation. Any person who is involved with working on or breaking into a refrigerant circuit should hold a current valid certificate from an industry-accredited assessment authority, which authorizes their competence to handle refrigerants safely in accordance with an industry, recognized assessment specification.

# PARAMETERS

---

2

## HOME DEHUMIDIFIER

Model No	OL12D-D023G
Dehumidification Capacity	30Pint/D(95°F/90%RH) 25Pint/D(86°F/80%RH) 9 Pint/D(65°F/60%RH)
Power Supply	115V~60Hz
Rated Input Current	2.0A
Refrigerant Charge	R134a/3.7oz
BCSC	15A
Fan Motor Power	0.028HP
Maximum Design Pressure	High-side:204psig Low-side: 88 psig
Sound Pressure Level	≤36dB(A)
Full Water Quantity	2L
Compressor Input	RLA:2.7A/LRA:10.0A
Working Temp	41°F-95°F

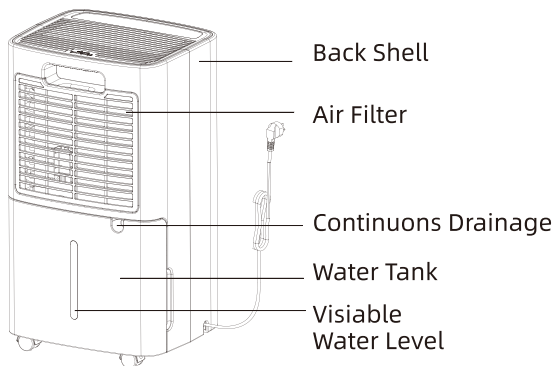
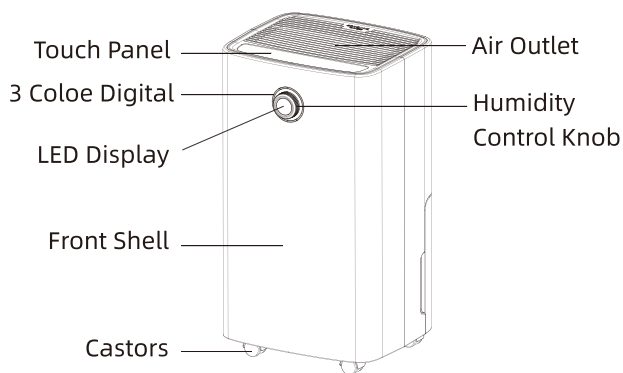
# FEATURES

3

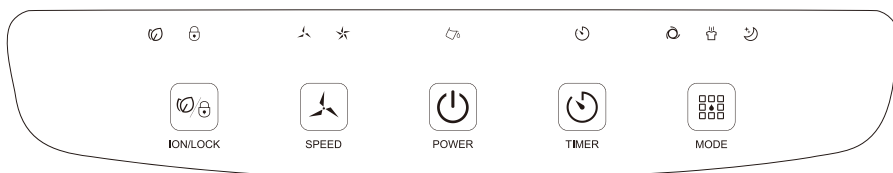
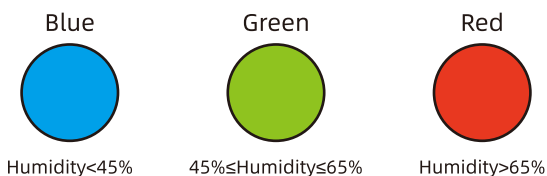
- Powerful moisture removal (up to 30Pints/day dehumidification)
- Humidity Monitor shows current air humidity
- Auto mode automatically adjusts humidity levels
- A 24-hour timer to set the time of operation
- Effectively removes moisture, dust from the air
- Low power consumption-energy efficient
- Quiet fan has two speed settings
- Auto-Defrost at low temperature
- Auto shut-off/ auto restart
- Electronic control Laundry drying function
- Continuous drainage or 68oz.water tank

# PRODUCT DESCRIPTION

4



- The dehumidifier starts up in the mode selected when the unit was last used.
- The dehumidifier starts dehumidifying if the room humidity is 3% higher than the selected humidity.
- There is a protective 3-minutes time delay of the compressor. Wait 3 minutes for the dehumidifier to resume dehumidification




## POWER



In the standby state, press the power button to turn on, the operation indicator lights up and the default fan speed is high, and the default humidity is 50%. In the power-on state, press the power button to turn off, the running indicator light goes off and the compressor stops immediately, and then the fan shut down after 30 seconds delay.

## MODE

· Auto mode—continuously drying mode—sleeping mode cycle, press once to switch the mode from one to another, the corresponding indicator lights up.

· Auto mode : Allowing users adjust humidity levels. In this mode, the display will show currently environment humidity after users set the target humidity level. when environmental humidity ≥ set humidity +3%, the fan starts working and compressor starts working after 3 seconds. When environmental humidity ≤ set humidity -3%, the compressor stops working and fan stops working after 30 seconds' delay. Both fan speed and humidity can be adjusted under auto mode.

· Continuously drying mode : The machine continues to run, but the humidity can not be adjusted.

· Sleeping mode : Touch the MODE button, the  lights up and start the sleep function. After no operation in 10 seconds, all indicators turns dark gradually and the wind speed is automatically switched from high to low. Touch any button to wake up the indicator. Touch sleep button again to exit the sleep mode. When environmental humidity ≤ 57%, compressor stops working and the fan shut down after 30 seconds' delay. When environmental humidity ≥ 63%, the fan starts working and compressor starts working after 3 seconds.

Fan speed and humidity can not be adjusted under sleeping mode.

## Speed

High wind—low wind cycle, press button once to switch and then the corresponding indicator lights up. In continuously drying mode, sleep mode and defrosting period, the wind speed can not be changed.

## ION/LOCK

Hold this button for 3 seconds to turn on/off the child-lock function.

Press this button one time, to turn on/off the ION function.

# OPERATION

---

## TIMER

Press this button to set timer on/off, if you would like to cancel timer setting, press this button to “00” shown from display.

## Water Tank Full Alarm

Water Tank Indicator

● When the tank is full for 5 seconds, it sets the alarm. The water tank indicator turns red and the unit buzzes for 5 times.

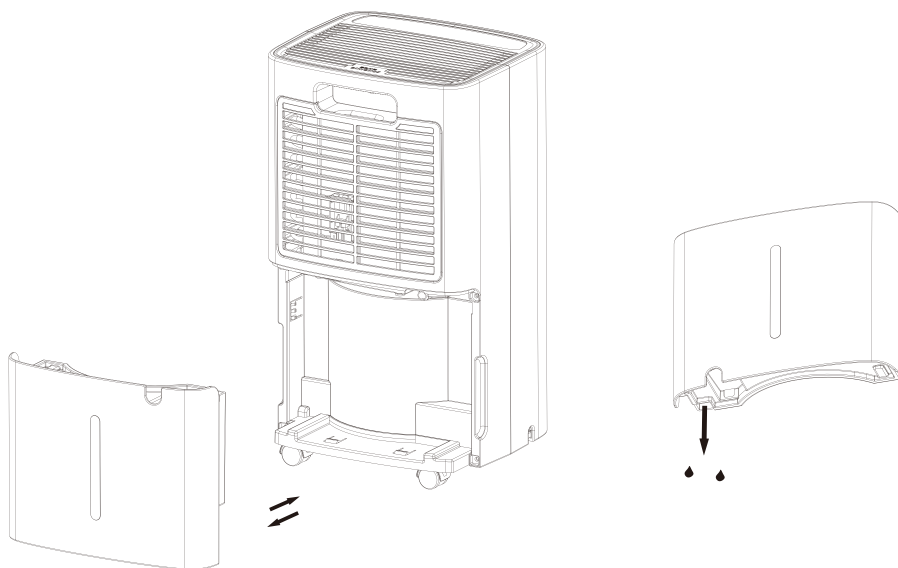
Clear the alarm

· When the buzz is on, press any button to stop it. The compressor, fan and ionizer generator shut down and all the functions freeze until the tank is emptied and back in right position.

Empty the tank

· Grab the notch at the bottom of the tank and pull it out with both hands.

Take it slowly and steadily in case of spilled water.

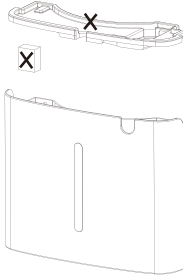


● Empty the water.

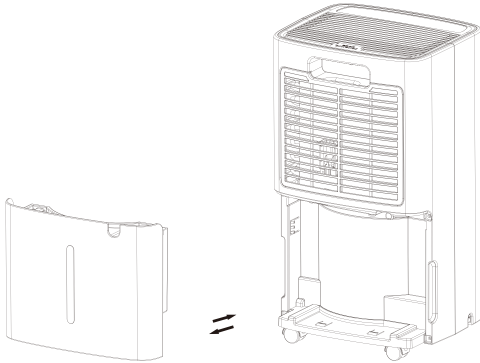
● Put the water tank back in position. The dehumidifier automatically starts working again.

## ⚠ PRECAUTIONS

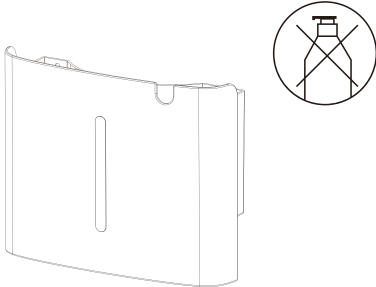
1. Do not remove the float out of the tank otherwise the dehumidifier can not start up.



2. Ensure the water tank is in right position when putting it back, otherwise the dehumidifier can not start up.



3. If the tank is dirty, wash it with cool/warm water. Do not use cleanser, steel balls, chemically treated dust-proof cloth, gasoline, benzene, thinners or other chemical solvents in case of damage and leakage.

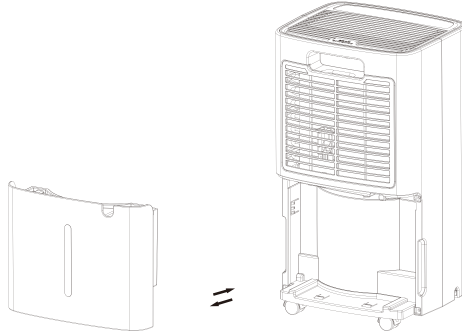


# MAINTENANCE

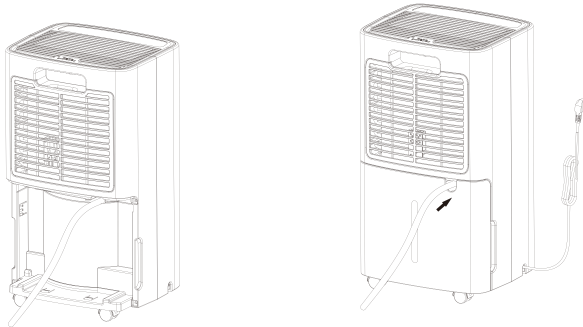
---

## 4. Continuous Drainage

- Take out the water tank
- Use a water hose(diameter=9.5mm) to connect the water outlet.
- Passes the water hose through the cutting hole in the tank and put the tank back.



For continuous drainage, the end of the hose should not be submerged in water to prevent it from being blocked or damaged.



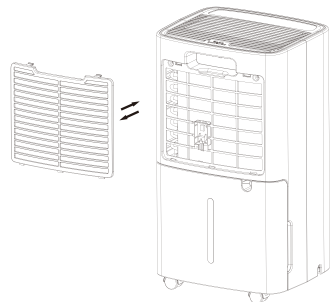
## CLEANING

- Body Cleaning

Use a soft and slightly moist cloth to clean the dehumidifier body.

- Filter Cleaning

1. Remove the filter frame and take off the filter

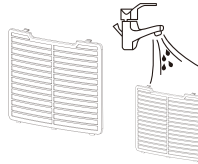


# MAINTENANCE

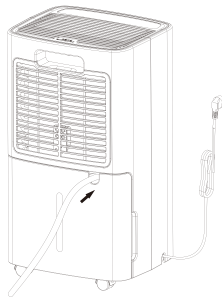
---

2. Use a vacuum cleaner to gently absorb the dust on the surface.

If the filter is very dirty, wash it with water and a soft detergent and dry it thoroughly afterwards.



3. Put the filter back

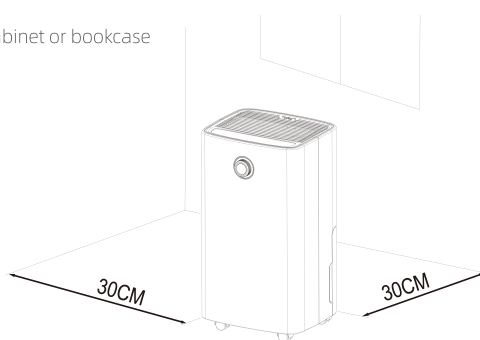


## LOCATION

1. Place the appliance on a firm and horizontal surface in an area with at least 30cm of free space around it to allow for proper air circulation.

2. Never install the appliance at a place that could be subject to:

- Heat sources such as radiators, heat registers, stoves or other products that produce heat.
- Possible splashing of oil or water
- Direct sunlight
- Mechanical vibration or shock
- Excessive dust
- Lack of ventilation, such as cabinet or bookcase
- Uneven surface



## STORAGE

When not using the product for a long time and intend to store it, please pay attention to the following steps:

1. Empty the water in the water tank and wipe the water droplets on bottom of inside machine.
2. Collect the power cord and store it in the dry water tank.
3. Clean the filter.
4. Place the machine in a cool and dry environment.

## 1.FUNCTIONING TEMP. $5^{\circ}\text{C} \leq \text{Ambient Temp.} \leq 35^{\circ}\text{C}$

When the ambient temp is lower or higher than the functioning temp, the dehumidifier stops.

When  $5^{\circ}\text{C} \leq \text{Ambient temp.} \leq 16^{\circ}\text{C}$ , the compressor automatically defrosts at intervals; during defrosting, the compressor stops and the fan keeps running.

## 2 BEFORE CALLING FOR SERVICE

Before contacting the customer service, please review the following trouble shooting list that includes common problems that are not the result of a defect in workmanship or materials.

Problem	Possible Cause	Solution
Not working	No power supply	Connect the appliance to a functioning outlet and switch it on
	“Water Full” Indicator Flashes	Drain water tank and reset it, or re-position the water tank to the right spot
	Room temperature $< 41^{\circ}\text{F}$ , or $> 95^{\circ}\text{F}$	Self-Protection designed to protect the unit Cannot work under such temperature
Bad functioning	Is the air filter clogged?	Clean the air filter as instructed
	Is the intake duct or discharge duct obstructed?	Remove the obstruction from the discharge duct or intake duct.
No air intake	Is the filter clogged?	Wash the filter
Loud noise when operating	Is the appliance put on an uneven surface?	Put the appliance on the flat ground
	Is the filter clogged?	Wash the filter
E2	Humidity sensor problem	Change the sensor
LO	Environmental humidity is below 20%	The dehumidifier shuts down for self-protection
HI	Environmental humidity is above 90%	
CL	Low temperature protection, the environmental temperature $< 41^{\circ}\text{F}$	
CH	High temperature protection, the environmental temperature $> 95^{\circ}\text{F}$	

# TROUBLE SHOOTING

---

## STORAGE AND DISPOSAL

### 1 Store

Long-term storage - If you are not going to use the appliance for an extended period of time (more than a few weeks), it is the best to clean and dry it completely

Follow these steps to store the device:

- ① Take the instrument out
- ② Clean the water tank off materials and dry it with a towel
- ③ Wash the filter and let it dry completely in a shaded area
- ④ Collect the power cord in the tank
- ⑤ Re-install the filter at its position
- ⑥ Preserving the appliance in a ventilating, dry, corrosive gas-free, and safe indoor space
- ⑦ The appliance must be kept in an upright position when in storage.

Note that in order to avoid the damage of parts and mold, the carburetor in the device must be dried. Take the instrument out and leave it in a ventilated place for a few days to dry. Another method is to adjust the moisture level to 5 percent higher than the ambient moisture level, so that a fan can blow to dry the evaporator for several hours.

### 2 Disposal

Note: If anything happens, turn off the power and turn on the grid immediately. Then call a qualified electrician



**Don't treat electronic devices as garbage, but use them separately.**

**Please contact the authorities for information on the existing collection system.**