

SCONCE LED KITS

8", 1100 AND 700 LUMEN OPTIONS

FUTURE FIT
LED KITS



RoHS
Compliant

10 YEAR
WARRANTY

DESCRIPTION

Pre-assembled UL 1598C Classified (pending) LED retrofit kit. Includes the following components:

- (1) LED Driver • (1) LED Module • (1) Metal Pan • Mounting Accessories (Mounting Hardware and Wiring Hardware)

APPLICATION

Upgrade wall-mount fluorescent-style luminaires to an LED solution. Suitable for after-market or OEM installation. (OEM must have UL LED Luminaire General Coverage file.)

TYPICAL INSTALLATION APPLICATION



SYSTEM FEATURES

Module Features

- For Use in Class 2 Lighting Systems
- Highly Reflective White Soldermask
- Low Profile WAGO Push Connectors
- UL Recognized Components
- Single-Sided CEM3 Substrate
- 3-Step MacAdam Color Binning
- LM80 Tested LEDs by Samsung
- Beam Angle: 120°
- Reported Life Expectancy: L70 > 54,000 hours at Tc <85°C
- Calculated Life Expectancy: L70 = 160,000 hours at Tc <85°C
- Maximum Board Temperature at Tc Point: 85°C

Driver Features

- 120V Input, High Power Factor, Phase Control Dimming
- UL 8750 Recognized Component LED Power Unit
- Meets FCC Part 15 Class B (Consumer) Limit for EMI
- Over Current, Short Circuit, and Open Circuit Protection
- Class 2 Output
- Type 1 Outdoor, Suitable for Dry and Damp Locations
- Up to 194°F/90°C Maximum Case Temperature
- THD: <20%

SCONCE LED KITS

8", 1100 AND 700 LUMEN OPTIONS

PERFORMANCE SPECIFICATIONS

8", 1100 LUMEN WALL SCONCE

Dimming Type: Phase Control

KIT CONTENTS:

Driver: (1) KTLD-10-1-350-FDIM-AF5

Module: (1) KTLM-480-R3-8xx-32B

Metal Pan: Yes

Mounting Hardware and Accessories

Color Temp	Input Voltage	LED Retrofit Kit Catalog Number	No. of Modules	Total System Drive Current	Drive Current per Module	Total Lumens per Module	Total System Lumens	Total Module Power	Module Efficacy	Driver Efficiency	Total System Power	Total System Efficacy
3000K	120V	KT-RKIT-HCP-8-1150-830-FDIM /G2	1	350mA	350mA	1115	1115	8W	139 lm/W	80%	10W	112 lm/W
4000K	120V	KT-RKIT-HCP-8-1150-840-FDIM /G2	1	350mA	350mA	1150	1150	8W	144 lm/W	80%	10W	115 lm/W
5000K	120V	KT-RKIT-HCP-8-1150-850-FDIM /G2	1	350mA	350mA	1180	1180	8W	148 lm/W	80%	10W	118 lm/W

8", 700 LUMEN WALL SCONCE

Dimming Type: Phase Control

KIT CONTENTS:

Driver: (1) KTLD-10-1-350-FDIM-AF5

Module: (1) KTLM-480-R3-8xx-20B

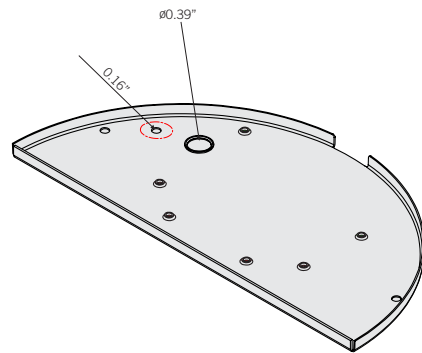
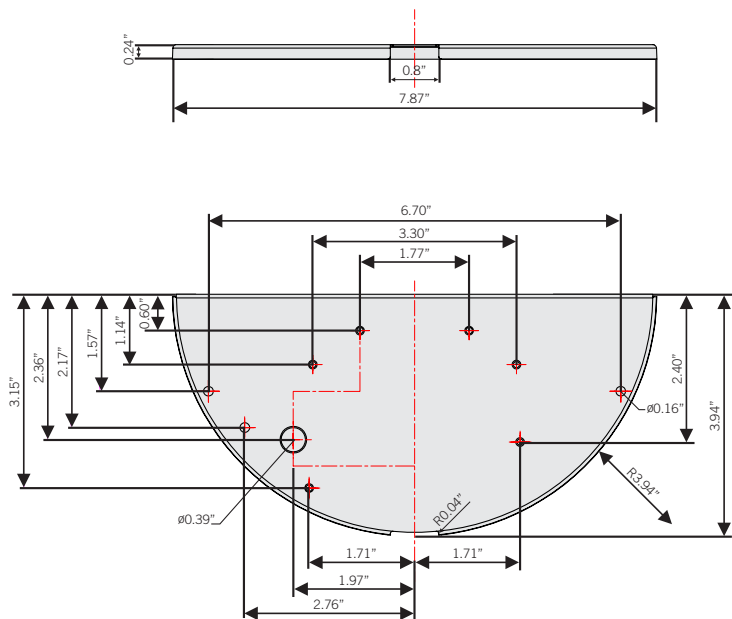
Metal Pan: Yes

Mounting Hardware and Accessories

Color Temp	Input Voltage	LED Retrofit Kit Catalog Number	No. of Modules	Total System Drive Current	Drive Current per Module	Total Lumens per Module	Total System Lumens	Total Module Power	Module Efficacy	Driver Efficiency	Total System Power	Total System Efficacy
3000K	120V	KT-RKIT-HCP-8-650-830-FDIM /G2	1	350mA	350mA	680	680	5W	136 lm/W	80%	6W	113 lm/W
4000K	120V	KT-RKIT-HCP-8-650-840-FDIM /G2	1	350mA	350mA	700	700	5W	140 lm/W	80%	6W	117 lm/W
5000K	120V	KT-RKIT-HCP-8-650-850-FDIM /G2	1	350mA	350mA	720	720	5W	144 lm/W	80%	6W	120 lm/W

PHYSICAL SPECIFICATIONS

METAL PAN

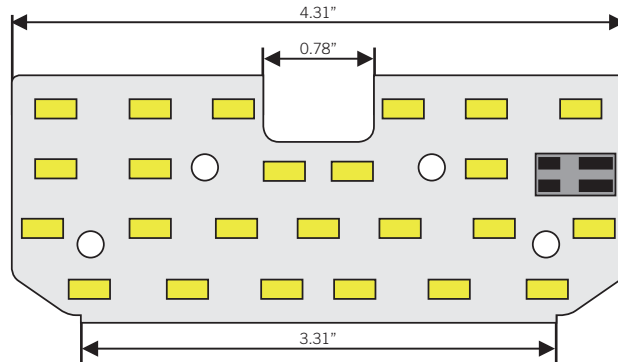


PHYSICAL SPECIFICATIONS

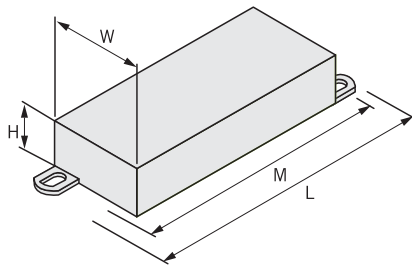
LED MODULES

Part No. KTLM-450-R2-8xx-24A and Part No. KTLM-450-R2-8xx-15A

Note: LEDs on modules below are to show placement only.



LED DRIVER



LENGTH	3.70"
WIDTH	1.30"
HEIGHT	0.79"
MOUNTING	3.40"

ORDERING INFORMATION

Order Code	Packaging Style	Package Quantity	Item Status
KT-RKIT-HCP-8-1150-840-FDIM /G2-BP	Bulk Packaged	20	Quick Ship
KT-RKIT-HCP-8-1150-840-FDIM /G2-IP	Individually Packaged	1	Quick Ship
KT-RKIT-HCP-8-650-840-FDIM /G2-BP	Bulk Packaged	20	Quick Ship
KT-RKIT-HCP-8-650-840-FDIM /G2-IP	Individually Packaged	1	Quick Ship

CATALOG NUMBER BREAKDOWN

KT-RKIT-HCP-8-1150-830-FDIM /G2

- | | |
|-------------------------------------------------------------------------------------------------------------------------------------------------------------------------------------------------------------------------------------|---------------------------------------------------------------------------------------------------------------------------------------------------------------|
| <p>1 Keystone Technologies</p> <p>2 Retrofit Kit</p> <p>3 Pan Type: HCP = Half Circle Pan</p> <p>4 Nominal Size: 8 = 8" Circular</p> <p>5 Nominal Lumens</p> <p>6 CRI: 8 = 800 Series</p> | <p>7 CCT: 30 = 3000K, 40 = 4000K, 50 = 5000K</p> <p>8 Dimming Type: FDIM = Phase Control Dimming</p> <p>9 Generation: 2nd Generation</p> |
|-------------------------------------------------------------------------------------------------------------------------------------------------------------------------------------------------------------------------------------|---------------------------------------------------------------------------------------------------------------------------------------------------------------|