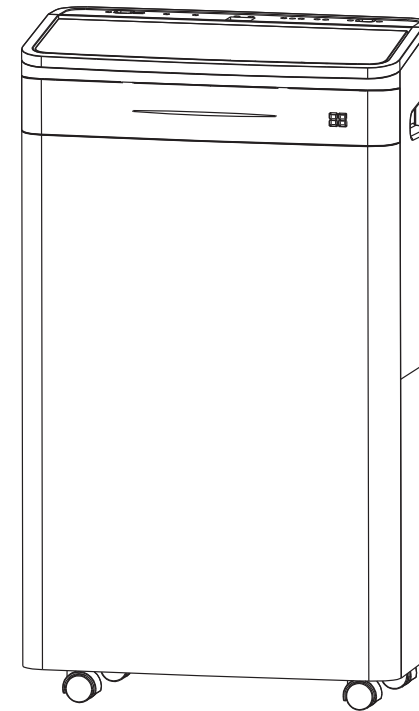


**EdenDirect**

# Dehumidifier

## Instruction Manual



**Model FDD25-5293ZV1R5**

Please read this manual before operating and save it for future reference. Every dehumidifier is covered with a 1-year free warranty offered by **Edendirect** that is automatically valid from the date of purchase. If you have any problem, please email us at [sean@edendirect-brand.com](mailto:sean@edendirect-brand.com)

## CONTENTS


■ Precautions	2
■ Parts names and functions	7
■ control panel operation	8
■ For selecting functions properly	10
■ Set air filter	11
■ For maintenance	12
■ Specification	14
■ Trouble - shooting	14

Thank you very much for purchasing our Dehumidifier.  
Please read this manual instruction carefully before operating your dehumidifier.  
This manual contains further important instructions for proper operation. Please save it for your further reference.

## SAFETY INSTRUCTIONS

### PLEASE READ AND SAVE THESE IMPORTANT SAFETY INSTRUCTIONS.

When using electrical appliances, basic safety precautions should always be followed to reduce the risk of fire, electric shock, and injury to persons, including the following:

 **WARNING: To avoid the risk of electrical shock, fire or injury to people, always make sure the appliance is unplugged from the electrical outlet before relocating, servicing, or cleaning it.**

- Use this appliance only as described in this manual. Any other use not recommended by the manufacturer may cause fire, electric shock, or injury to person.
- The appliance is not to be used by persons(including children) with reduced physical,sensory or mental capabilities,or lack of experience and knowledge,unless they have been given supervision or instruction.
- Never place anything on top of the appliance.
- Children must be supervise not to play with the appliance.
- Do not cover the appliance whilst in use.
- Do not immerse the appliance in use.
- Dispose of water collected from the appliance.This water is not drinkable.
- The appliance must have a minimum 50cm clearance around all sides.
- Children of less than 3 years and pets should be kept away unless continuously supervised.
- Do not leave children alone or unattended in the area where the appliance is in use.

- Cleaning and user maintenance shall not be made by children unless continuously supervised.
- Place the appliance on a flat, stable and dry surface and always keep the appliance in an upright position. Operating the appliance in any other position could cause a hazard.
- Do not place the appliance against a wall or other appliances.
- Do not cover the appliance or restrict the air flow of the inlet or exhaust grills whilst in use.
- Do not operate the appliance with wet hands.
- Do not use this appliance near water or in the immediate surroundings of a bath, shower or a swimming pool. Never place the appliance where it may fall into a bathtub or other water container.
- Do not allow water or other liquids to run into the interior of the appliance, as this could create a fire and/or electrical hazard.
- Do not use mechanical devices to accelerate the appliances defrosting process.
- Do not place the continuous drainage hose outside when the temperature falls below 1 °C.
- Do not use the appliance without the air filter.
- This appliance is intended for indoor household use and similar applications. Do not use outdoors.
- Never leave the appliance unattended while in use. Always turn the appliance off and disconnected from the power supply when not in use.
- Avoid placing the power cord in areas where it can become a tripping hazard. Do not place the power cord under carpeting or cover it with rugs, runners or similar.
- To avoid a circuit overload when using this appliance, do not operate another high-wattage appliance on the same electrical circuit.

- Always plug the appliance directly into a wall socket. Avoid using extension leads where possible as they may overheat and cause a risk of fire.
- Do not use this appliance with an external programmer, timer switch or any other device which would switch the appliance on automatically unless this has already been pre-built into the appliance by the manufacturer.
- Do not pull on the power cord. Never move, carry, or hang the appliance by the power cord.
- Do not kink or wrap the power cord and plug around the appliance, as this may cause the insulation to weaken or split, particularly where it enters the appliance.
- The appliance is only to be used with the power adapter provided. Do not use other chargers or power adapters as this may damage the product and battery.
- Do not operate the appliance with the water tank removed.
- Ensure the mains cable is fully extended before use and arrange it so that it is not in contact with any part of the appliance.
- Do not operate the appliance with any safety guards removed.
- Do not attempt to repair or adjust any electrical or mechanical elements in the appliance. Doing so may be unsafe and will void your warranty.
- Ensure that the mains supply (including voltage, frequency and power) complies with the rating label of the appliance.
- Do not use the appliance near petrol, paints, flammable gases, ovens, or other heating sources.
- Never insert fingers or metal objects into the vents and openings of the appliance.
- Do not operate the appliance if there are signs of damage to the appliance, power cord, or any of the accessories supplied. If the supply cord is damaged, it must be replaced by the manufacturer, its service agent or a similarly qualified person in order to avoid a hazard.

## SPECIFIC INFORMATION REGARDING R290 REFRIGERANT GAS

- The appliance must be installed, used and stored in area that is greater than 4m<sup>2</sup>.
- This appliance contains 65g of R290 refrigerant gas.
- R290 is refrigerant gas that complies with the European directive on the environment. Do not puncture any part of refrigerant circuit.
- Be aware R290 refrigerant is odourless and does not have the odour normally associated with natural gas and propane tanks.
- The appliance must be placed in an area without any continuous sources of ignition such as open flames, gas, or electrical appliances in operation.
- Do not puncture and do not burn.
- If the appliance is installed, operated or stored in a non-ventilated area, the room must be designed to prevent the accumulation of refrigerant leaks resulting in a risk of fire or explosion due to ignition of the refrigerant caused by electric heaters, stoves, or other sources of ignition.
- The appliance must be stored in such a way as to prevent mechanical failure.
- Individuals who operate or work on the refrigerant circuit must have the appropriate certification issued by an accredited organization that ensures competence in handling refrigerants according to a specific evaluation recognized by associations in the industry.

- Maintenance and repairs that require the assistance of other qualified personnel must be performed under the supervision of an individual specified in the use of flammable refrigerants.



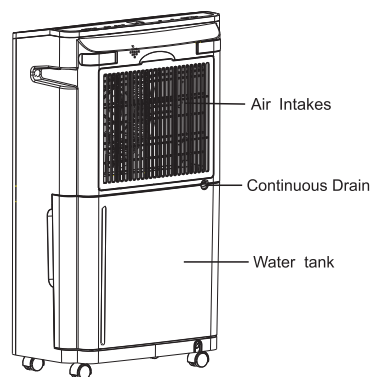
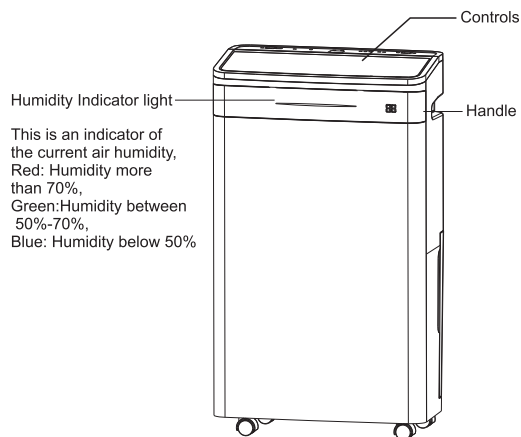
This marking indicates that this product should not be disposed with other household wastes throughout the EU. To prevent possible harm to the environment or human health from uncontrolled waste disposal, recycle it responsibly to promote the sustainable reuse of material resources. To return your used device, please use the return and collection system or contact the retailer where the product was purchased. They can this product for environmental safe recycling.



## Parts Names and Functions

Front

Back

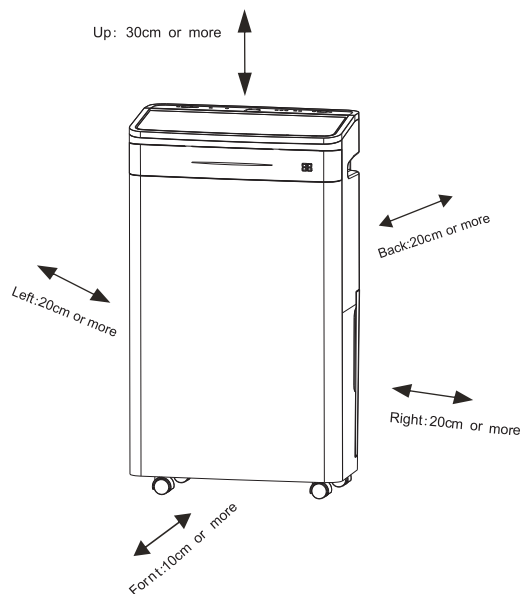


### Installation

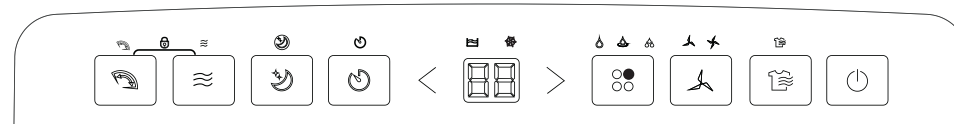
For efficient operation of the dehumidifier, spacing are required as shown below.

#### Note

In case TV sets, radio etc. are disturbed with noises, keep them apart from the dehumidifier by 70cm or more.



## Control panel operation



### Indicator Lights

Full of water	FAN	Defrost	Strong dehumidifying
Timer	Dry clothes	Normal dehumidifying	Low wind
Sleep	Child lock	Continuous dehumidifying	High wind

#### 1. Power button

Press Power button to turn the dehumidifier on or standby. The dehumidify mode indicator and room humidity will show on display once the dehumidifier turns on.

#### 2. Mode button

Press this button repeatedly to select the desired dehumidify operation mode: Normal Dehumidifying, Continuous Dehumidifying or Strong Dehumidifying. The corresponding dehumidify mode indicator will show on display.

Normal Dehumidifying mode "◊": The appliance works with the desired humidity settings. When the humidity is decreased to the set humidity level, the appliance automatically stops dehumidifying the air.

Continuous Dehumidifying mode "◊": The appliance constantly works with the dehumidifying function. The fan will operate at low speed and cannot be adjusted.

Strong Dehumidifying mode "◊": The default target humidity level is 30%. The appliance constantly works with the dehumidifying function until ambient humidity reaches 30%. The fan will operate at high speed and can not be adjusted.

#### 3. Dry clothes mode

The appliance constantly works with the dehumidifying function. The fan will operate at high speed and can not be adjusted

#### 4. Humidity setting button "<" and ">"

Press "<" and ">" button repeatedly to set the desired humidity level to 30%-80% (5% each step). The LED light will flash on display when adjusting. The LED will resume normal display after 5 seconds setting. When the desired humidity level has been set, the compressor will continue to operate until the room humidity level is lower than the desired humidity level or the water tank is full.

Note: Humidity level can only be adjusted under Normal Dehumidifying mode.

#### 5. Fan speed button

Press Fan Speed "▲" button to set the fan speed to high or low, and the corresponding fan speed indicator will show on display. Fan speed can only be adjusted under Normal dehumidifying and Air Clean mode.

#### 6. Timer button

Press the timer "⌚" button to set a turn-on or shut-off timer, between 1- 24hours.

- Setting a Turn- On timer: When the dehumidifier is off, tap the timer button then press "◀" or "▶" until reach the desired number of hours before you want it to turn on. The timer light will light up when a timer is set.
- Setting a Turn- Off timer: When the dehumidifier is on tap the timer button and press "◀" or "▶" until reach the desired number of hours before you want it to turn off. The timer light will light up when a timer is set.

## Control panel operation

### 7. Fan button

The unit has a built-in negative anion. Press Air Clean button to use the unit to clean air. The corresponding indicator will light up and the compressor won't work. Press the fan speed to adjust high or low fan speed.

### 8. Sleep button

Press the Sleep button to turn on the sleep function, while the machine is still working in any mode.

All lights are off except sleep light/water full light/ child lock light. Press any key in sleep mode to perform functions and wake up.

### 9. Child Lock

Press both of Auto Swing and Air Clean button for few seconds to active or deactivate the Child Lock function.

When entering the child lock, the LED displays LC and flashes for 5seconds, then resume the normal display.

Press the other keys in the child lock state, LED displays LC and flash for 5seconds to remind the lock state.

Press the power button in the child lock state can turn on/off the machine.


### 10. Defrost function

When the frost builds up on the evaporator coils, the automatic defrost function will be started. The compressor will turn off and the fan will continue to run until the frost is removed. When the unit is running in a room temperature between 5°C and 12°C, it will stop to defrost for about 3 minutes every 8 minutes.

When the unit is running in a room temperature between 12°C and 18°C, it will stop to defrost for about 5 minutes every 25 minutes. When the unit is running in a room temperature between 18°C and 23°C it will stop to defrost for about 5 minutes every 120 minutes.

, Wait 3 minutes before resuming operation. After the compressor has stopped, it can not restart operation until 3 minutes has passed.

### Water tank Full indicator

When the water tank is full, the water full indicator  will show on display and the buzzer will beep 20 times. the compressor will be stopped, the fan will be stopped automatically after several minutes.

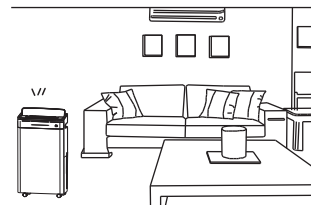
Note: The full indicator will also show on display if the water tank is removed or not placed in the proper position.

### Auto-restart

if the unite breaks off unexpectedly due to a power cut, it will automatically restart with the previous function setting when the power resumes. if the timer is set before power failure, the auto-restart function will be deactivated

## For Selecting Functions Properly

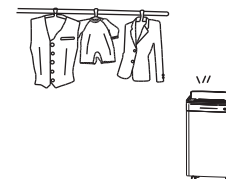
To dehumidify a room for comfortable humidity



Normal dehumidifying

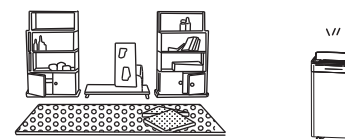
To dehumidify a room or keep a ceiling and/or walls from dew consideration and getting moldy

To dry washed clothes faster



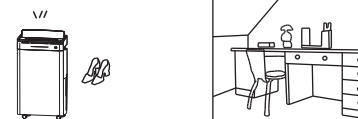
Dry clothes

To dry a carpet or a rug



Strong dehumidifying

To dehumidify a small spcing or dry shoes



Continuous dehumidifying

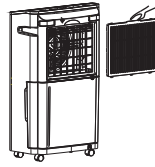
To make air clean in a room



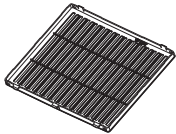
Sleep

## Set an air clean filter to a dehumidifier.

1. Remove the inlet frame from the back cover.



2. To set the air clean filter to the back cover.



Washable pre-filter

- In case of improper setting conditions, you cannot set the back cover to the unit

## Make sure that the water tank is set properly.

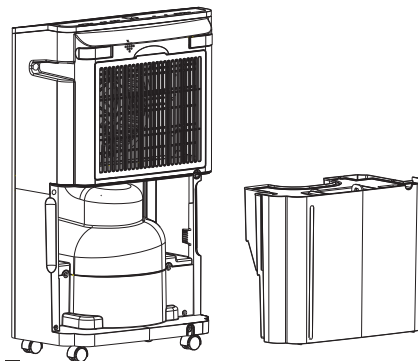
Your dehumidifier will not be operated when the water tank is full of water or it is not set properly.

### How to remove

Draw the water tank gently toward you by holding the concave part of the tank.

### How to set

Push the tank horizontally and gently. The handle lies down by itself.

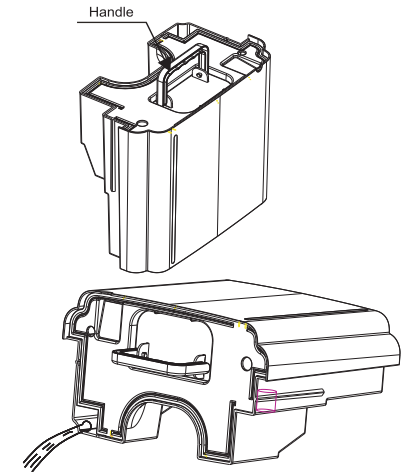


## When you empty water from a water tank

1. Remove water tank from the dehumidifier.
2. Hold the tank by the handle and carry it gently.
3. Tilt the tank to the direction as shown.  
and slowly empty the water out of the tank.
4. Set the tank in the dehumidifier.

### Note

After the dehumidifying operation, water is collected in the water tank. When the tank is full of water, the dehumidifier stops operating automatically and the buzzer sounds. The buzzer sounds for 20 seconds when the tank is taken out during the operation.



## For Maintenance



### Warning

To avoid of the risk of electric shock, never connect and disconnect the plug with your hand wet.



Prohibit wet hand



### Cautions

Turn off the unit and disconnect the power plug before cleaning or other routine maintenance.



Do not remove the float lever from the water tank.



Prohibit

## When the unit is not in use for a long time.

1. Unplug the unit, bundle the power cord, and hang the bundled cord at the back of the unit as shown.
2. Empty the water out of water tank, wipe the tank with cloth and replace in position.
3. Clean the air clean filter.
4. For storing, stand the unit upright and avoid the exposure to the direct sunlight.

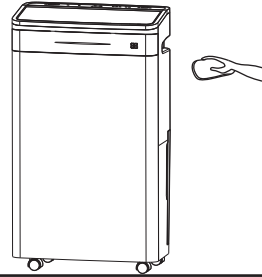
## Request

- To avoid malfunction or abnormal sound, keep the unit upright.

## Body of Dehumidifier

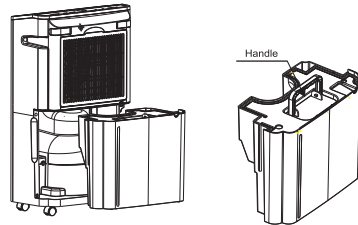
Wipe the dehumidifier with a dry and soft cloth.

- To remove heavy dirt, wipe it with a cloth wrung tightly. (Never use a wet cloth for cleaning the controls).
- To avoid deformation or cracking, do not use benzene, thinner or liquid cleaners.
- Chemical cloth may cause the change in color or the unit.



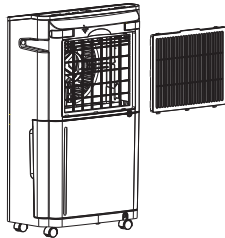
## Water tank

- Pull out the water tank and take it out.
- Wash the inside of the tank with water.
- The tank may be scratched, if you scrub it strongly with a brush.
- Do not remove the float lever from the tank.
- Wipe off the water on the outside of tank with a cloth and replace the tank as it was.



## Back Air Intakes (Maintenance every 2 weeks)

- The dehumidifying capacity will be lowered when the air clean filter gets clogged.
- Remove the back cover from the unit and remove the filter holder. Then take out the air clean filter and the back filter.



- Pull the back cover toward you and remove it from the unit. Remove the sider filter from the unit.
- To dislodge the dust from these filters, use a vacuum cleaner or pat them lightly.
- If the filters are fouled seriously, wash in water including neutral detergent, rinse well with water and leave until dry.
- Pat the air clean filter and dislodge dust from it.

## Specifications

Model No:	FDD25-5293ZV1R5
Power Supply:	115V~ (60Hz)
Dehumidity Capacity:	50Pints/Day (86°F, 80%RH)
Max. Input Power:	400W
Max. Input Current:	3.9A
Water Tank Capacity:	5.5 L
Net Weight:	13.5kg
Dimensions:	Height 600mm, Length350mm, width 200mm
Room Temperature:	5°C-32°C
Refrigerant:	R290 /65g
Fuse:	AC250V 3.15A

The specification may be subject to change without notice for purpose of improvement.

## Trouble – Shooting

Prior to requesting to repair, please check for the following:

Malfunction	Points to be checked	Measures to be taken
<b>No operation</b>	Check to see if the power plug is disconnected.	Insert the plug into an electric outlet fully and securely.
	Check to see if the water tank is full of water.	Empty the water out of the tank.
	Check to see if the water tank is not set properly in position.	Set the tank to the unit properly in position.
	Check to see if all the flaps are closed.	Open one of the flaps.
<b>Dehumidified volume is small</b>	To see if the filters get dirty.	Clean the filters as specified.
	Check to see if the air openings are blocked up.	Remove obstacles from the air openings.
	Check to see if the dehumidifier is in air clean mode.	Change the operation mode to the dehumidifying mode.
<b>Loud sound while operating</b>	Check to see if the unit is not installed as specified.	Install the unit on a level and stable floor.
<b>Operation stops during spot dehumidifying</b>	Check to see if the room temperature is higher than the usable operating temperature.	The dehumidifying operation will be started automatically when the temperature lowers.
<b>Washed clothes are not dried</b>	Check to see if washed clothes are not exposed to the air from the unit.	Try to expose the washed clothes to the air flow.
	Check to see if the room temperature is too low.	Washed clothes are hard to be dried under low temperature conditions.

Nothing is wrong with your dehumidifier in case of the following phenomena

Phenomenon	Reason
<i>Operation stops occasionally</i>	The unit is defrosting
<i>Dehumidified volume is small</i>	Dehumidifier volume less when the room temperature is low, The unit stops operating when the room temperature is below approx. The unit stops dehumidifying because the humidity in a room drops to 60% or less in "Normal dehumidifying" mode.
<i>The humidity in a room is still high</i>	The room size may be too large. The doors or the windows of the room may be opened and /or closed frequently. The dehumidifier is used together with a kerosene heater which emits vappor.
<i>Bad smell during operation</i>	Smell is emitted from the walls, furniture or other objects.
<i>Sound is produced within the unit</i>	Circulation of the refrigerant may cause sound until it is stable.
<i>Water is left in the water tank</i>	The water is left because the unit is subjected to dehumidifying test in the factory.
<i>The buzzer sounds</i>	The buzzer sounds when the water tank is full of water.

Cautions:Refrigerant is required to be filled at the factory or manufacturer or seller designated location.

**Customer's Sheet:**

Please record the following items.

<b>Model</b>	
<b>Purchase Date</b>	
<b>Store</b>	
	TEL:

# EdenDirect

**Thanks for choose the Edendirect brand and purchase our quality products!**

If our products or services can satisfy you, **we sincerely hope that you will choose Edendirect brand again and leave a good review.** This can inspire our hearts! It is also the motivation for us to continue to move forward!

*5 star rating*



Edendirect will continue to improve the quality of its products and efficient services to provide an easy shopping experience for every customer!

We provide one-year warranty, if you have any problem when you receive the product or during use, please feel free contact email: [sean@edendirect-brand.com](mailto:sean@edendirect-brand.com). We hope you will give us the opportunity to help you, and we sincerely thank all of our customers for taking time to research this product and give us valuable suggestions and feedbacks!

*Thank you so much  
for your support!!!*

