

EDG/EDGR

Edge-Lit Exits



Intended Use

Suitable for applications requiring attractive edge-lit exit signage, universal installation and low energy consumption.

Features

- Aluminum or white finish lamp housing
- Clear panel standard for single face signs
- For single-face clear panels, EXIT is seen as a reversed image from the back, unless ordered with mirror background

- Mirrored separator panel is standard on double-face
- EDG models are Universal surface (top, end or back) mounting. Canopy provided. EDGR models – ceiling recessed mounting or optional wall mount
- The typical life of the exit LED lamp is 10 years

Listings

UL Listed. Meets UL924.

Example: EDG R EL

ORDERING INFORMATION		Specifications subject to change.						Operations		Options	
Series		Housing color		Number of faces		Letter color					
EDG	Surface mount LED edge-lit exit	(blank)	Brushed aluminum	1	Single face	R	Red on clear (single face only)	(blank)	AC only	(blank)	None
		W	White	2	Double face	G	Green on clear (single face only)	EL	Nickel-cadmium battery	WM	Recessed wall mount ⁴
EDGR	Recessed LED edge-lit ex					RMR	Red on mirror ¹	X2	Provides primary and secondary AC input ²		
						GMR	Green on mirror ¹	SD	Self-diagnostics ³		
						RW	Red on white				
						GW	Green on white				

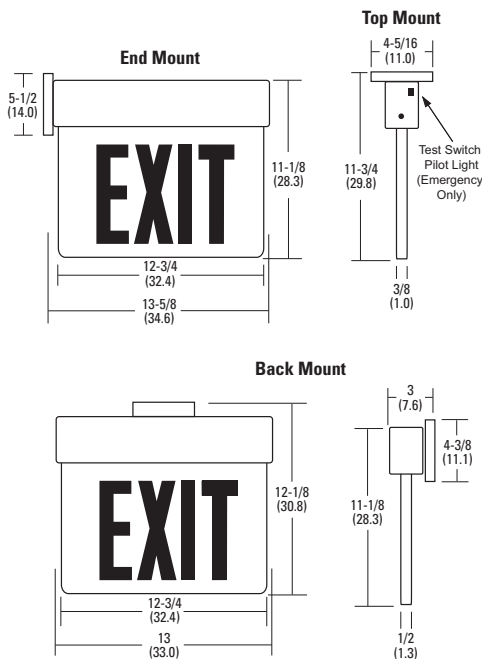
ADDITIONAL INFORMATION For additional product information, visit www.lithonia.com.

ELECTRICAL APPLICATION DATA					
TYPE	SUPPLY VOLTAGE	INPUT WATTS	MAX AMPS	INPUT WATTS	MAX AMPS
Red LED AC only	120	2.5	0.020	3.8	0.030
	277	2.8	0.010	4.5	0.014
Green LED AC only	120	2.2	0.020	3.8	0.030
	277	2.2	0.010	4.5	0.020
Red LED emergency	120	3.0	0.030	3.8	0.031
	277	3.1	0.010	4.5	0.015
Green LED emergency	120	2.6	0.020	3.8	0.031
	277	2.8	0.010	4.5	0.020

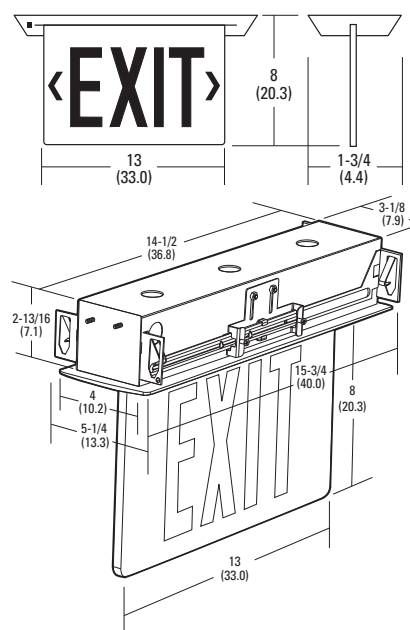
ELECTRICAL APPLICATION DATA - EDGRNY			
TYPE	SUPPLY VOLTAGE	INPUT WATTS	MAX AMPS
Red LED AC only	120	3	0.025
	277	3	0.011
Red LED emergency	120	3	0.025
	277	3	0.011

Drawings are for dimensional detail only and may not represent actual mechanical configuration. Dimensions are shown in inches (centimeters) unless otherwise noted.

EDG Shipping Weight: 4lbs (1.8kg)



EDGR Shipping Weight: 6.8 lbs (3.1 kg)



Notes

- 1 Available with EDG and EDGR single-face only. Mirrored panel standard on double-face.
- 2 Not available with EL and SD options.
- 3 Available with EL option only.
- 4 Available on EDGR single face only.