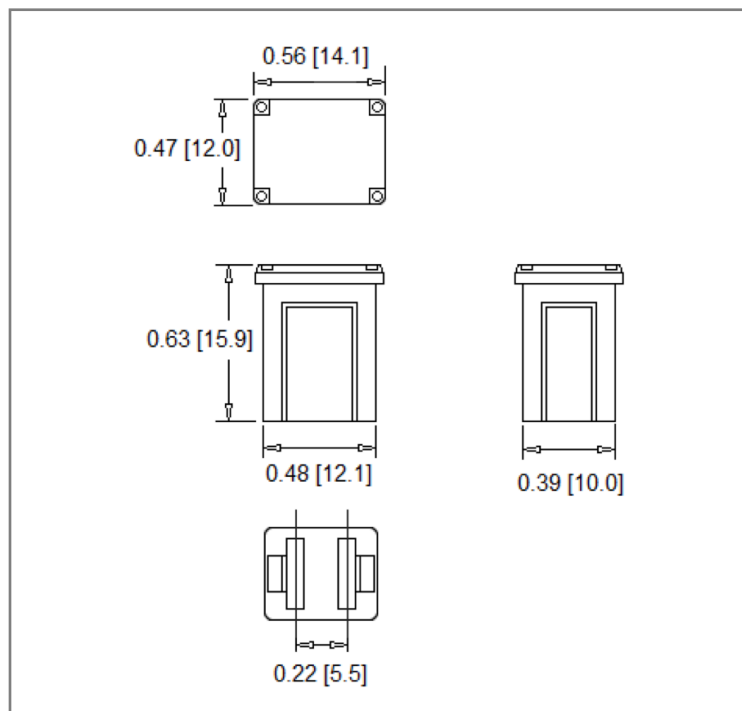
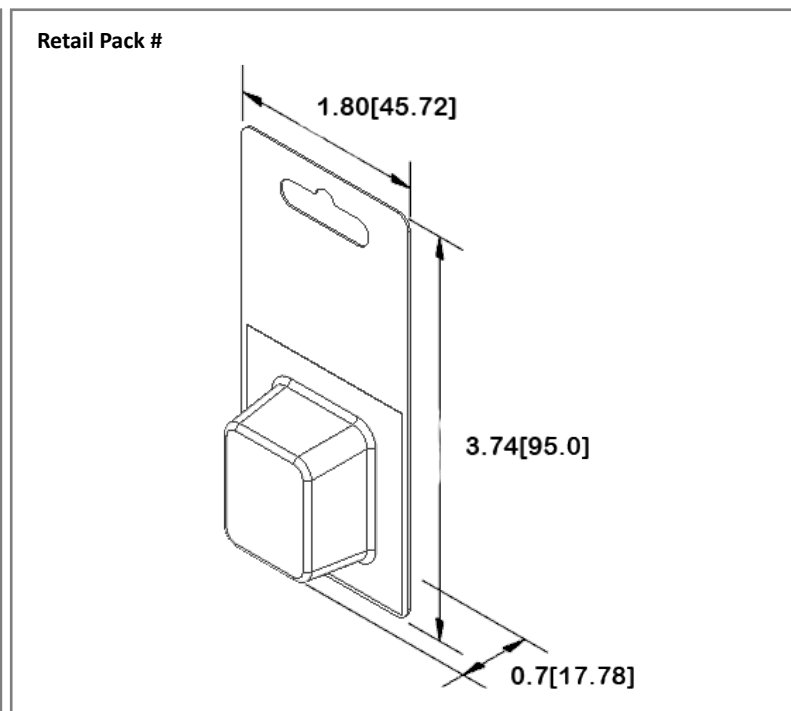


Mechanical Dimensions: Inches [mm]



Retail Pack: Inches [mm]



Part Numbers Information

Amperage	Body Color	Bulk Part #	Retail Pack # Blister Card	Pack Size
20A	Light Blue	FMX-LP-20A	FMX-LP-20A-BP	1
25A	White	FMX-LP-25A	FMX-LP-25A-BP	1
30A	Pink	FMX-LP-30A	FMX-LP-30A-BP	1
40A	Green	FMX-LP-40A	FMX-LP-40A-BP	1
50A	Red	FMX-LP-50A	FMX-LP-50A-BP	1
60A	Yellow	FMX-LP-60A	FMX-LP-60A-BP	1

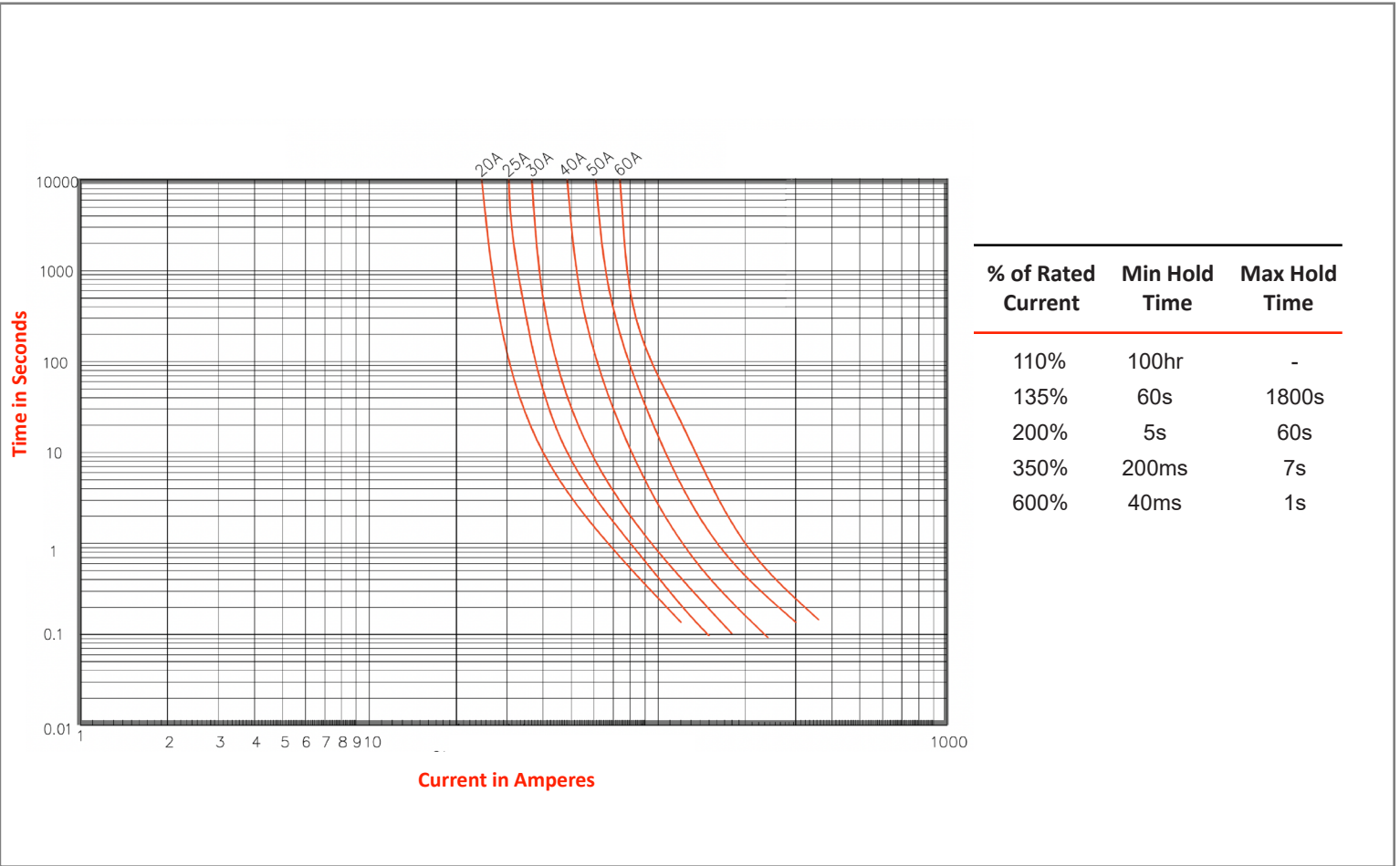
Electrical Specifications

Voltage Rating	58V DC
Interrupting Rating	1000A @ 58 VDC
Operation Temperature	-40°C to +125°C

Material Specifications

Connecting Terminal Width	6.3mm
Connecting Terminal Thickness	0.8mm

Time vs. Percent of Rated Current Curve



Rev Date of issue Revision Notes

Designed Approved

D	06-04-2025	Initial Drawing	RC	OF
---	------------	-----------------	----	----