

EMT Electrical Fittings

**Specification Grade
Alloy Steel
Made in the USA**

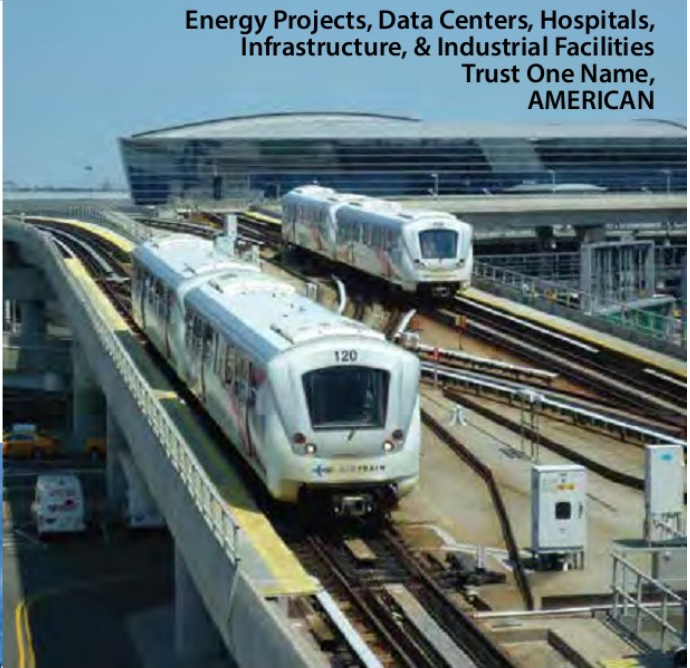


- 1/2" - 4"
- Connectors & Couplings
- Set Screw & Compression
- RainTIGHT Fittings
- Color Coded Fittings
- Adapters to
 - Convert EMT TO LT, Rigid, or FMC
- Ground Bushings
- Supports, Straps, Hangers

**Time to Think Beyond Government Projects!
The Perfect Fitting to
Decrease Your Labor Costs and
Improve Your Installations**



Commerical & Industrial Fittings



**Energy Projects, Data Centers, Hospitals,
Infrastructure, & Industrial Facilities
Trust One Name,
AMERICAN**

**AMFICO Fittings are Alloy Steel Construction with
TWICE the Strength and Corrosion Resistance of
Die Cast and Malleable Iron**



2020 EMT Fittings Catalog

RETHINK AMERICAN

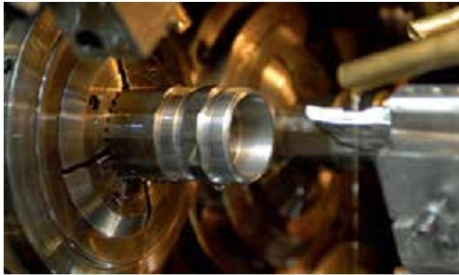
Thought of as only a fittings source for Buy America projects, you should realize our full range of industrial fittings go WELL BEYOND government work. Infrastructure to food processing, being much easier to install and always surpassing application requirements, our fittings will outperform ALL others, as will our commitment to customer service.

AMERICAN INTEGRITY OF MATERIALS

AMERICAN FITTINGS' products are manufactured from US manufactured hot rolled alloy steel bar stock. All materials are received from the mill with certified ASTM mill test reports. This ensures the integrity of raw material on every fitting we manufacture.



All Raw Materials Fully Documented Alloy Steel Bar Stock



Precision Cutting & Machining of Every Part

AMERICAN CONSISTENCY OF PRODUCT

If your conduit is rigid steel, why are you using inferior die cast or malleable iron fittings? Neither of these materials offers the uniformity of threads and compression, that our alloy steel provides. Our consistent centerlines provide precise alignment with enclosures and conduit. Environmental integrity and ease of installation are guaranteed with the manufacturing and machining tolerances provided. No fitting found worldwide can meet the quality of AMFICO.

AMERICAN INNOVATION IN PRODUCT DESIGNS & ENGINEERING

Reengineered Myers Hubs



AMFICO Ground HUBS
WaterTIGHT is a Guarantee We Provide
Space Saving Design in Steel & Aluminum



The BEST Erickson Made

3 PIECE RIGID STEEL THREADED COUPLINGS
Uniformity & Consistency of Centerlines Provides Dead Center Alignment on Enclosures & Conduit



Installs Faster Than Any Other Product

Rigid Conduit Fittings From Our Rigid Catalog



CONDUIT BUSHINGS
Threaded - Non Threaded Steel & Aluminum
Torque Tight and Right Numerous Grounding Options
Galvanized Plating Option



REDUCING BUSHINGS

Hazardous & Ordinary Locations Steel & Aluminum



Ends Cross Threading



AMERICAN STRENGTH IS UNEQUALED

There is no way to get around the numbers, twice the strength of MI at a fraction of the weight. Alloy steel will outperform and outlast both die cast and malleable iron products. Alloy steel is not dependent on carbon for strength, and is naturally stronger with greater benefits in harsh conditions. Additive elements found in alloy steel make it NATURALLY corrosion resistant.

For All Our Product Catalogs See Inside Back Cover

Machined Alloy Steel [Ours]	
ASTM Physical Test	Result
Tensile Strength (kpsi)	88
Yield Strength (kpsi)	70
Elongation (% in 2")	15
Brinell Hardness	168

Cast Malleable Iron [Theirs]	
ASTM Physical Test	Result
Tensile Strength (kpsi)	42
Yield Strength (kpsi)	33
Elongation (% in 2")	10
Brinell Hardness	102 - 116

Zinc Die Cast (Zamack # 3 -7)[Theirs]	
ASTM Physical Test	Result
Tensile Strength (kpsi)	37
Yield Strength (kpsi)	31
Elongation (% in 2")	13
Brinell Hardness	80

2020 EMT Fittings Catalog

More Product Features and Benefits Than Any Fitting on the Market
Guaranteed to Exceed Your Expectations Not Your Budget



EMT & Rigid COMPRESSION Pages 1 - 2
Couplings & Connectors

No Lazy Connections with Our
EZ Torque Alloy Steel
Flat Hex Compression Nuts

Corrosion Resistant Alloy Steel is
Industrial Grade Zinc Plating with
Chromate Finish

PRECISION MACHINED CUT THREADS
Hardened Alloy Steel Threads
Provide Full Torque Values
Never "Cross-Thread" Another Fitting
Secures Conduit with Less Labor

GUARANTEED DIMENSIONAL CONSISTENCY
Precision Machined Alloy Steel Fittings
Guaranteed Defect Free and
Consistent From One Fitting to the Next
Fittings are Exact-to-Size So Every Fitting
Fits Perfectly Every Time
Uniformed Surface Attaches Squarely to Boxes
Hold Long Pipe Runs Straight and True
1/3 the Size & Weight of MI Fittings



EMT & Rigid SET SCREW Pages 3-4
Couplings & Connectors

Set Screw Fittings Feature Steel Screws
Deep Slots with HEX Heads Minimize
Driver Slippage
Get the Torque You Need
Without EVER Cracking a Screw or a Fitting

Adapters Pages 11 - 12



EMT to Threaded Rigid Conduit

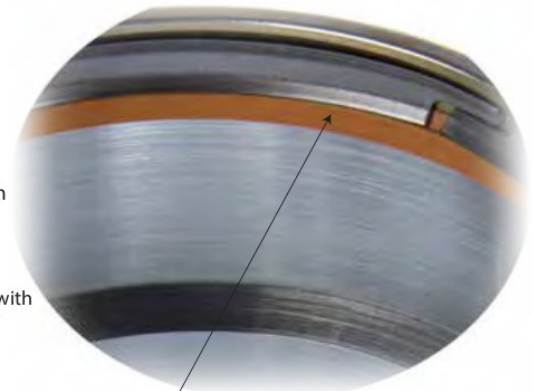


Seal Tight to EMT



FMC to EMT Pages 13 - 14

RainTIGHT Fittings Feature
AMFICO Proprietary
Internal Environmental Sealing Ring



Speed Up Your Wire Pulls with
Our Super Smooth ID's for
EZ & FAST Wire Pulls

Buy With Confidence:
RT Series UL Listed RainTIGHT
EMT Connectors & Couplings
Pages 5 - 6



UL Listed and USA
Stamped on Every Product

RT Series Connectors Furnished With
Industrial Grade Sealing Ring and
Steel Locknut (shown with optional insulated bushing)

AMFICO SPECTRUM- EMT / Rigid Color Coded Fittings



Pages 7 - 8

Quick Identification of Your Critical Systems or Blend for Architectural Design

Wall Penetration Sleeve & Conduit Brace

Secure Conduit Through a Ceiling, Roof, Floor
Compression Connector with Flange
Secures and Positions for Fire Stop Protection



Pages 17 - 18

Full Catalog Part Number Index Pages 25 - 29

This Catalog Features Our Steel EMT Fittings

Couplings Connectors Bushings Adapters Conduit Sleeves Straps/Hangers

Other Full Line Catalogs Available Can be Found on the Last Page and Online at AMFTGS.com

EMT Steel Compression Connector

Size Range: 1/2" - 4" 2 1/2" thru 4" are UL Listed & Approved for Use on Both EMT & Rigid

Product Series: EC - EMT Compression Connector

Material: Solid Alloy Steel Construction
Zinc Plated with a Chromate Finish **

Made in the USA

Industrial SPEC-grade

Features:

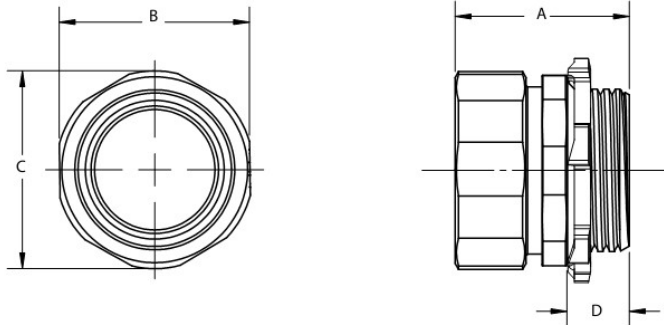
Precision Machined Cut Threads
UL Rated Concrete Tight

Full FLAT HEX Surface with
EZ Torque Steel Compression Nut
Torques Tight & Right

Twice the Strength and Durability of ALL Die Cast and Malleable Products



Compression Connector
Above with Insulated Bushing



Furnished with a UL Listed
Steel Locknut

Cat #	TRADE SIZE	A LENGTH	B HEX	C DIAMETER	D THREAD LENGTH	Wt. Per/C
EC750US	1/2"	1-3/16"	15/16"	1"	3/8"	8
EC751US	3/4"	1-1/4"	1-3/16"	1-1/4"	7/16"	12
EC752US	1"	1-1/2"	1-7/16"	1-1/2"	7/16"	19
EC753US	1-1/4"	1-7/8"	1-13/16"	1-7/8"	1/2"	30
EC754US	1-1/2"	2-3/16"	2-1/16"	2-3/16"	9/16"	46
EC755US	2"	2-7/8"	2-9/16"	2-7/8"	5/8"	55
ERC250CONN (1)	2-1/2"	3-7/16"	3-1/4"	3-7/16"	1"	120
ERC300CONN (1)	3"	4"	3-15/16"	4"	1"	165
ERC350CONN (1)	3-1/2"	4-9/16"	4-7/16"	4-9/16"	1"	201
ERC400CONN (1)	4"	5-1/8"	4-15/16"	5-1/8"	1"	237

(1) 2 1/2" to 4" UL Listed and Rated for Rigid Conduit. Product is stamped accordingly.

Compliances:

Certified Made in the USA
UL 514B, 467
Compression Fittings Concrete Tight
Suitable for Direct Burial ***
NEMA Standard FB1
Federal Standard A-A-50553
Certified for MIL-STD 810 Sinusoidal Vibrations
CSA Standard: C22.2 No. 18F
RoHS Compliant
REACH Compliant
CA Prop 65 Compliant
UNSPSC 39121434



Available OPTIONS:

Factory Installed 105° UL Rating Insulated Bushing-
For this Option, Add Suffix B to Above Cat Number

RainTight Configuration -"RT series" See Catalog Page

** Galvanized Plating - Option
For this Option, Add Suffix "G" to Above Cat Number

Color Coded Painted (powder coated) Fittings- See Catalog Page

*** Rain Tight Series Recommended for
Direct Burial Requirements