

30 in. 180-Degree Double Bullhorn Mounting Bracket Tenon Adapter

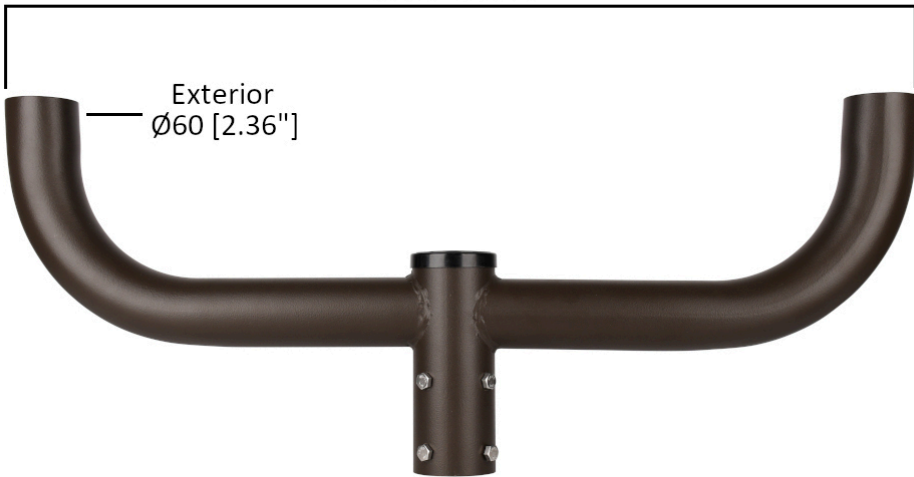


PRODUCT DESCRIPTION

The 180-Degree Double Bullhorn Mounting Bracket allows for the conversion of a single tenon to a dual tenon setup. Made of heavy-duty aluminum with double-strength welds, this bracket is durable and reliable. Its slip-fit design enables it to fit any of our slip-fit parking lot lights, providing full adjustability with side-to-side and up-and-down adjustments. It supports fixtures weighing up to 200 lbs, with 100 lbs per arm. The 180-degree design facilitates easy mounting of slipfitter fixtures on 2-3/8 inch tenons, making it a versatile choice for various outdoor lighting needs.




Dimensions



579.7 [22.8"]

Exterior
Ø60 [2.36"]

Interior
Ø64 [3.10"]

Specifications

Part Number	Weight (lbs.)	Capacity (lbs.)	Mount	Material	Warranty	Certificates
JH-1DBH180-54C	11	100/head	Round Poles	Steel	1 Year	ETL