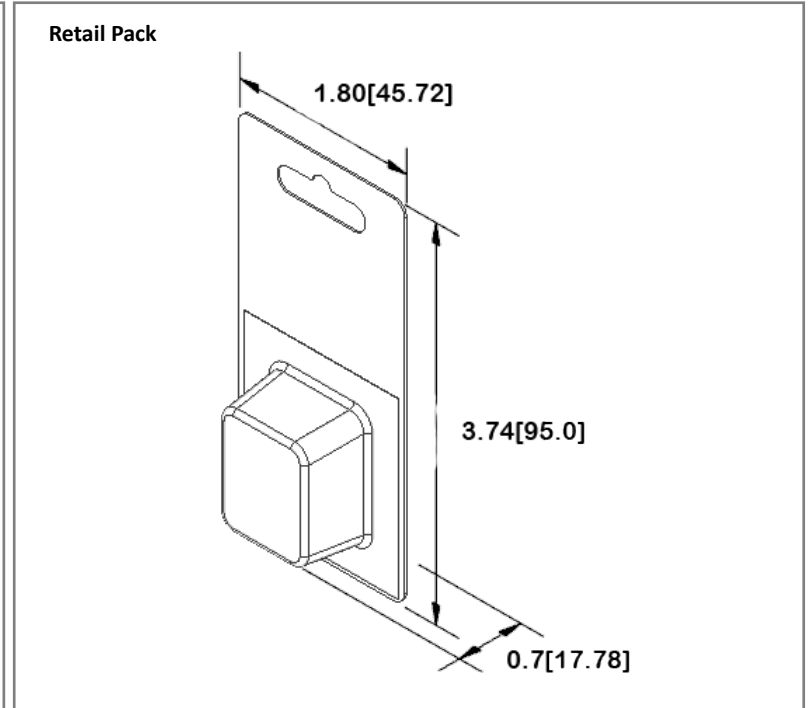
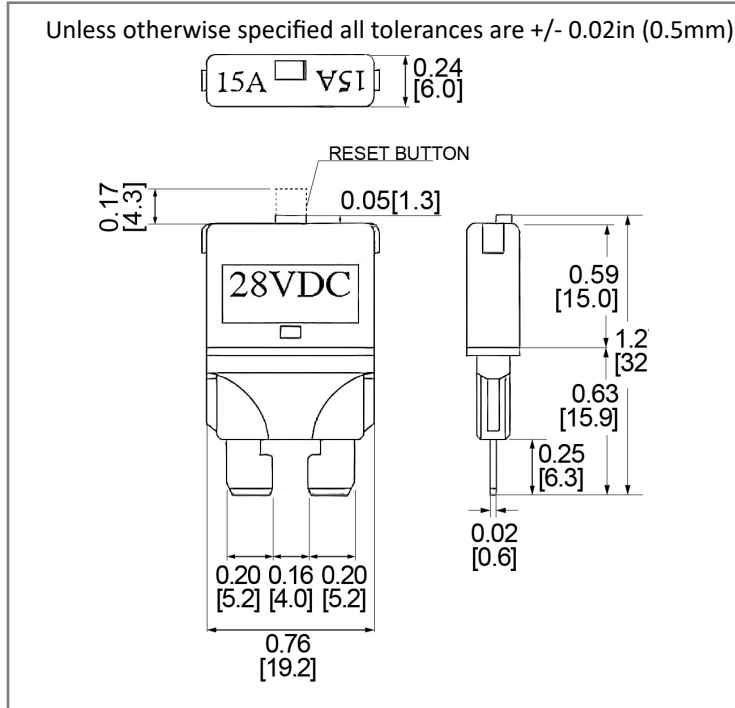


**Mechanical Dimensions: Inches [mm]**

**Retail Pack: Inches [mm]**



**Part Numbers Information**

Amperage	Body Color	Bulk Part #	Retail Pack # Blister Card	Pack Size
5A	Light Brown	MRCBP4-PL-5A	MRCBP4-PL-5A-BP	1
6A	Black	MRCBP4-PL-6A	-	-
7.5A	Brown	MRCBP4-PL-7.5A	MRCBP4-PL-7.5A-BP	1
8A	Brown	MRCBP4-PL-8A	-	-
10A	Red	MRCBP4-PL-10A	MRCBP4-PL-10A-BP	1
15A	Blue	MRCBP4-PL-15A	MRCBP4-PL-15A-BP	1
20A	Yellow	MRCBP4-PL-20A	MRCBP4-PL-20A-BP	1
25A	White	MRCBP4-PL-25A	MRCBP4-PL-25A-BP	1
30A	Green	MRCBP4-PL-30A	MRCBP4-PL-30A-BP	1

**Electrical Specifications**

<b>Voltage Rating</b>	28VDC
<b>Reset Type</b>	Type III – Manual Reset
<b>Operation Temperature</b>	-40° C ~ 85° C
<b>Testing</b>	SAE J553 Type III

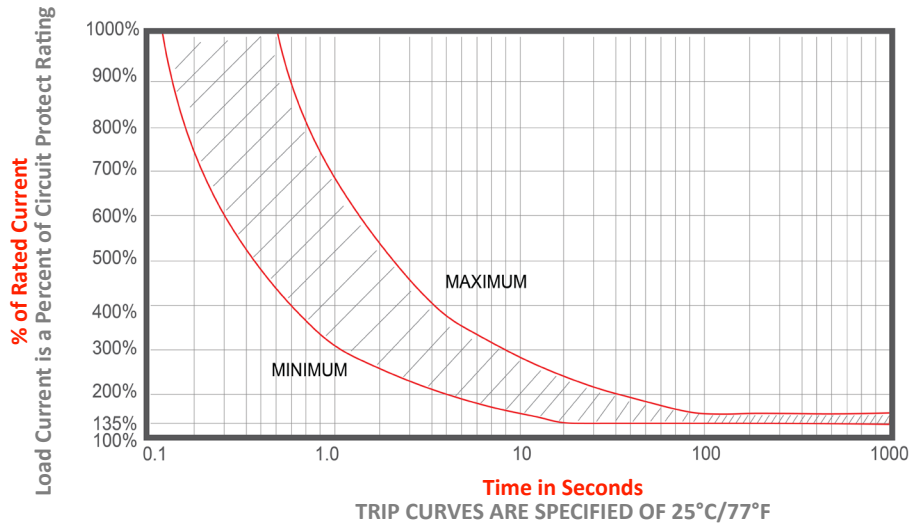
**Material Specifications**

Regular (ATO/ATC Style) Blade Circuit Breaker	
<b>Body Material</b>	Thermoplastic - (UL Rated 94V-0)
<b>Terminals Material</b>	Tin plated Brass Alloy

**Interrupt Rating**

Ampere Rated	Interrupt Rating
5A-10A version	100A @ 28VDC
15A version	150A @ 28VDC
20A version	200A @ 28VDC
25A-30A version	300A @ 28VDC

**Time vs. Percent of Rated Current**



**Rev Date of issue Revision Notes**

**Designed Approved**

E	09-12-2025	Updated Mechanical Dimensions	RC	OF
---	------------	-------------------------------	----	----