

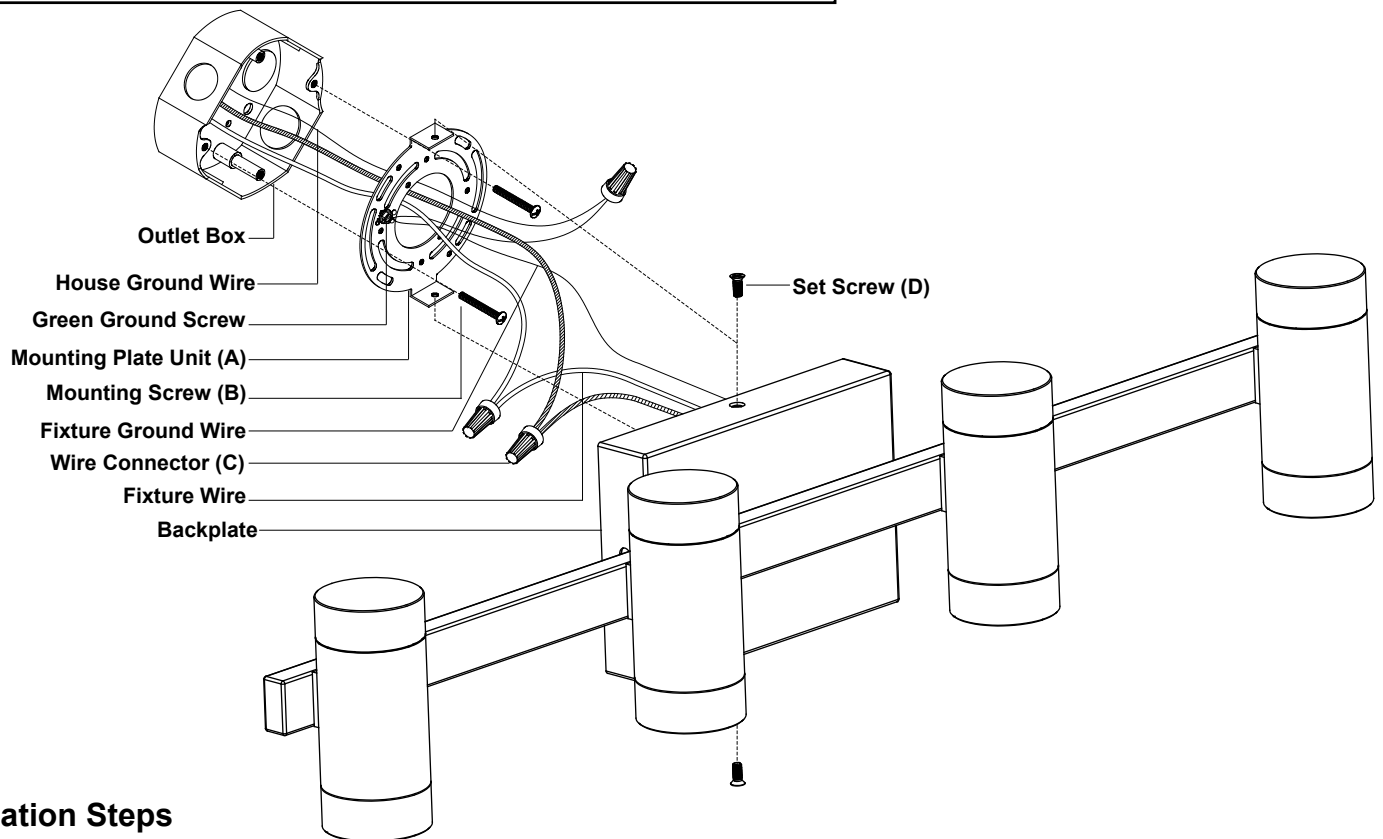
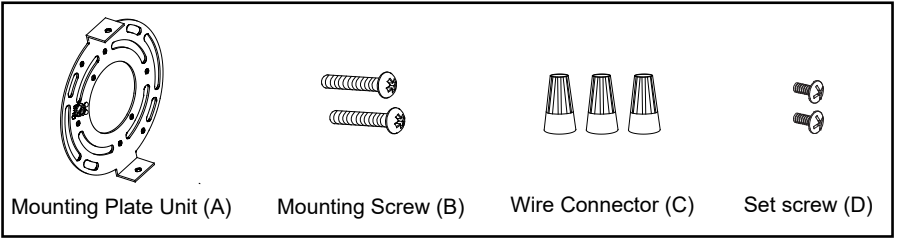
# ASSEMBLY AND INSTALLATION INSTRUCTIONS

W0585 / W0586

**WARNING:** TO AVOID RISK OF ELECTRICAL SHOCK, BE SURE TO SHUT OFF POWER WHILE INSTALLING OR SERVICING THIS FIXTURE.

**NOTES:** 1. Before installing, consult local electrical codes for wiring and grounding requirements.  
2. Read and save these instructions.

## Hardware Package (included):



## Installation Steps

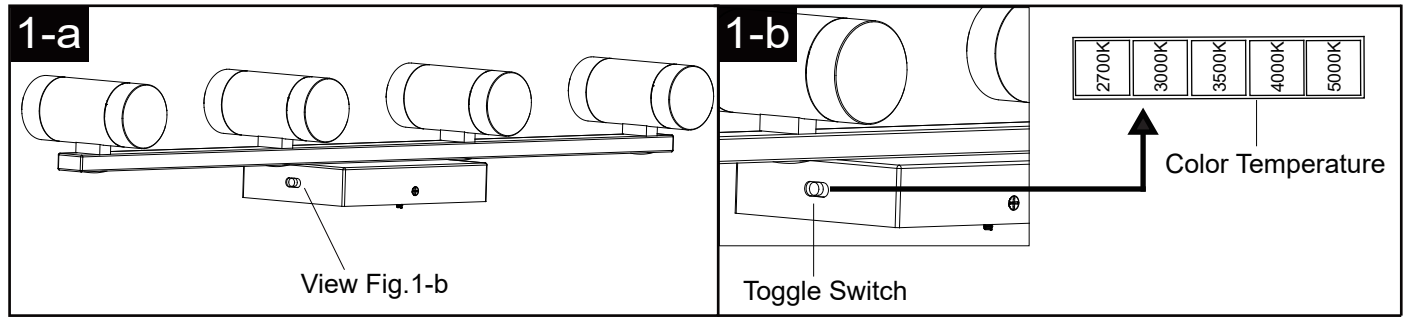
Turn off the power at fuse or circuit box

1. Remove the mounting plate unit (A) from the backplate by disassembling the set screws (D).
2. Attach the mounting plate unit (A) to the outlet box by using two mounting screws (B).  
**Note: Make sure that two set holes are lined up vertically to make the fixture level.**
3. Pull out the source wires from the outlet box. Make wire connections using wire connectors (C) as follows:
  - Connect the hot wire (black insulation) from the fixture to the black wire from the power source.
  - Connect the neutral wire (white insulation) from the fixture to the white wire from the power source.
  - Attach the fixture ground wire (bare wire) to the mounting plate unit (A) with the green ground screw, then depending on local code, connect it to the house ground wire with the wire connector (C).Carefully put all of the wires back into the outlet box.
4. Attach the backplate of the fixture to the mounting plate unit (A) by aligning holes, secure the two set screws (D) from the side holes of the backplate into the holes of the mounting plate unit (A).

Turn on the power at fuse or circuit box

# Adjusting the Correlated Color Temperature (CCT) of the Light

Customize the correlated color temperature (CCT) of the LED light by moving the toggle switch (For Reference).



- Move the toggle switch to 2700K, the color temperature is set at Warm White .
- Move the toggle switch to 3000K, the color temperature is set at Soft White.
- Move the toggle switch to 3500K, the color temperature is set at Neutral White.
- Move the toggle switch to 4000K, the color temperature is set at Bright White.
- Move the toggle switch to 5000K, the color temperature is set at Daylight.

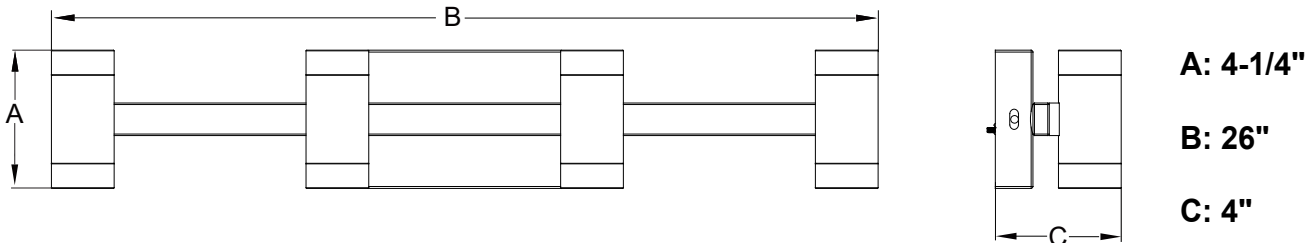
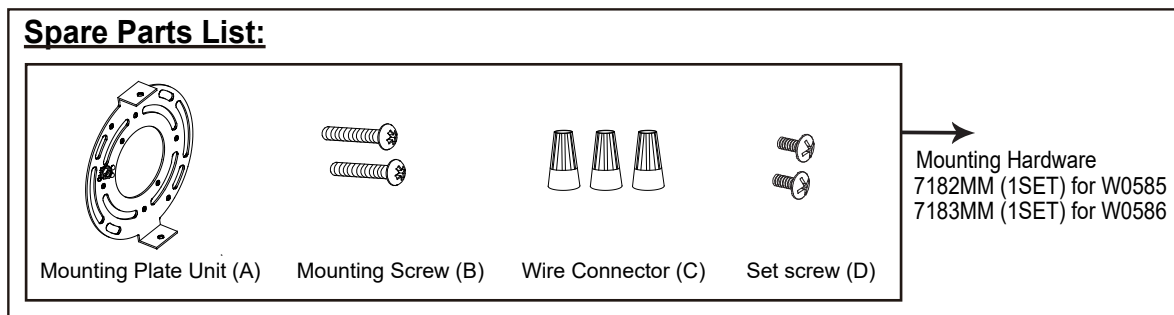
**Notice: Please move the toggle switch to make your selection before attaching the fixture to the mounting plate.**

**Note: Dimming range: 100% full illumination to 10% of full illumination.**

**This fixture is dimmable with a forward phase electronic dimmer. Dimmers tested to be compatible with this fixture are the Lutron: TGCL-153PH, MACL-153MH, SCL-153P, DVWCL-153PH.**

**If you are unfamiliar with electrical installations, it is recommended you have a qualified electrician for your installations.**

**The following parts are available for reorder if damaged or missing.**



**5 Year Limited Warranty**

Vaxcel warrants all of our products against defects in workmanship and finishes for one year following the date of shipment.

In addition:

- Any product with an integrated motion sensor or dusk-to-dawn photocell is supported by a 5-year warranty for the functionality of the product.
- Any product with integrated LED modules is covered by a 5-year warranty on the LED functionality.

*Exclusions: This warranty does not include the failure of products from extreme acts of nature; environmental conditions not suited for the products intended use; operation in temperatures outside of the range specified in the instruction manual; usage with improper power supply, power surges or dips. For coastal locations, some corrosion is considered normal for the environment.*

*Vaxcel reserves the right to repair, replace or issue a credit for any properly installed product, provided it is returned per RMA instruction. This warranty is limited to the cost of the product only and does not extend to transportation, installation or replacement costs.*

How can warranty service be obtained?

info@vaxcel.com  
1-800-482-9235