



FITTINGS

WIRE FILL CONDUIT

TRADE SIZE	CATALOG NUMBER	HUB TYPE	WIRE SIZE (AWG, MCM)														
			6	4	3	2	1	1/0	2/0	3/0	4/0	250	300	350	400	500	
4" (-0)	OLB-0M*, LB108, MOUB-0, MOT-0, MOLBD-0, MOC-0, MOLB-0	All	58	49	41	31	26	21	18	15	12	10	9	8	3		
	OLB-0	All	58	49	41	31	26	21	18	15	12	10	9	3			
	OC-0M*, OLR-0, OLL-0, OT-0M*	All	58	49	41	31	26	21	18	15	12	10	3				
	OC-0, LB107	All	58	49	41	31	26	21	18	15	12	3					
	OR-0, LL107, LR107	All	58	49	41	31	26	21	18	15	3						
	T107, C107	All	58	49	41	31	26	21	3								
3-1/2" (-9)	OLB-9M*, LB98, MOUB-9, MOT-9, MOLBD-9, MOC-9, MOLB-9	All	45	38	32	24	20	16	14	11	9	8	7	6	3		
	OLB-9	All	45	38	32	24	20	16	14	11	9	8	7	3			
	OC-9M*, OLR-9, OLL-9, OT-9M*	All	45	38	32	24	20	16	14	11	9	8	3				
	OC-9, LB97	All	45	38	32	24	20	16	14	11	9	3					
	OT-9, LL97, LR97	All	45	38	32	24	20	16	14	11	3						
	T97, C97	All	45	38	32	24	20	16	3								
3" (-8)	MOUB-8, MOT-8, MOLBD-8, MOC-8, MOLB-8	All	34	28	24	18	15	12	10	8	7	6	5	4	3		
	OLB-8, OLR-8, OLL-8, C88, LB888, LL888, LR88	All	34	28	24	18	15	12	10	8	7	6	3				
	OC-8, LL87, LR87, T88	All	34	28	24	18	15	12	10	8	3						
	OT-8M*	All	34	28	24	18	15	12	10	3							
	OT-8, LB87	All	34	28	24	18	15	12	3								
	C87, T87, L87	All	34	28	24	18	15	3									
2-1/2" (-7)	OLB-7	All	22	18	15	11	9	8	6	5	4	4	3				
	OLR-7, OLL-7, C78, LB78, LL78, LR78, MOUB-7, MOT-7, MOLBD-7, MOC-7, MOLB-7	All	22	18	15	11	9	8	6	5	4	3					
	OC-7, LL77, LR77, T78	All	22	18	15	11	9	8	6	5	3						
	OT-7M*	All	22	18	15	11	9	8	6	3							
	OT-7, LB77	All	22	18	15	11	9	8	3								
	C77, T77, L77	All	22	18	15	11	9	3									
2" (-6)	OLR-6, OLL-6	All	15	13	11	8	6	5	4	4	3						
	OLB-6M*, C68, LB68, LL68, LR68, MOUB-6, MOT-6, MOLBD-6, MOC-6	All	15	13	11	8	6	5	4	3							
	T68, TB68, X68	THRU	15	13	11	8	6	5	4	3							
	OC-6M*, OLB-6	All	15	13	11	8	6	5	3								
	T68, TB68, X68	SIDE	15	13	11	8	6	5	3								
	OC-6, OX-6	All	15	13	11	8	6	3									
	OT-6M*, OTB-6M*, C67, LB67, LL67, LR67, T67, TA67, TB67, X67	All	15	13	11	8	3										
	OT-6	All	15	13	11	3											
OTB-6	All	15	3														
1-1/2" (-5)	OC-5, OLB-5, OLR-5, OLL-5, C58, LB58, LL58, LR58, MOUB-5, MOT-5, MOLBD-5, MOC-5	All	9	8	6	5	3										
	T58, TB58, X58	THRU	9	8	6	5	3										
	C57, LB57, LR57, T57, TA57, TB57, X57	All	9	8	6	3											
	T58, TB58, X58	SIDE	9	8	6	3											
	OT-5, OX-5	All	9	8	3												
	OTB-5	All	3														
1-1/4" (-4)	OC-4, OLB-4, OLR-4, OLL-4, OT-4 OX-4, C47, LB47, LL47, T47, TA47, TB47, X47, C448, LB448, LL448, LR448, T448, TB448, X448, MOUB-4, MOT-4, MOLBD-4, MOC-4	All	6	5	3												
	OTB-4	All	3														
1" (-3)	OC-3, OLB-3, OLR-3, OLL-3, OT-3, OTB-3, OX-3, OE-3, C37, E37, LB37, LL37, LR37, LR37, T37, TA37, TB37, X37, C38, LB38, LL38, LR38, T38, TB38, X38, MOUB-3, MOT-3, MOLBD-3, MOC-3	All	3														
	OTA-3	All	3														
3/4" (-2)	OC-2, OLB-2, OLR-2, OLL-2, OT-2, OTA-2, OTB-2, OX-2, OE-2, C27, E27, LB27, LL27, LR27, T27, TA27, TB27, X27, C28, LB28, LL28, LR28, T28, TB28, X28, MOLBD-2	All	3														



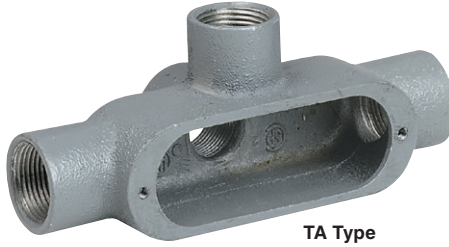
FITTINGS

O SERIES / DURALOY® 5 SERIES

ALUMINUM OR MALLEABLE IRON CONDUIT BODIES



TB Type



TA Type



X Type

TA TYPE CONDUIT BODY*

CATALOG NUMBER		HUB SIZE	DIMENSIONS							VOLUME CU. IN.
KILLARK ALUM.	DURALOY IRON		A	B	C	D	E	F	G	
OTA-1	OTA-1M	1/2"	5-3/8" (137)	2-1/8" (54)	2" (51)	1" (25)	3-5/32" (80)	—	5/8" (16)	4.0
OTA-2	OTA-2M	3/4"	6-1/16" (154)	2-15/16" (75)	2-3/16" (56)	1-7/32" (29)	3-25/32" (96)	—	3/4" (19)	7.0
—	OTA-3M	1"	7-1/8" (181)	2-11/16" (68)	2-9/16" (65)	1-15/32" (35)	4-17/32" (115)	—	15/16" (24)	12.0

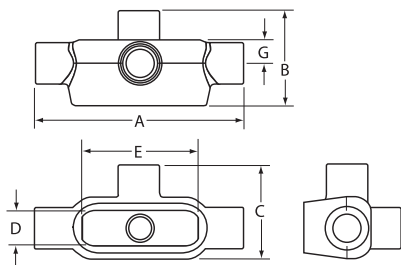
TB TYPE CONDUIT BODY*

CATALOG NUMBER		HUB SIZE	DIMENSIONS							VOLUME CU. IN.
KILLARK ALUM.	DURALOY IRON		A	B	C	D	E	F	G	
OTB-1	OTB-1M	1/2"	5-3/8" (137)	2-1/8" (54)	1-5/16" (33)	1" (25)	3-5/32" (80)	—	5/8" (16)	4.0
OTB-2	OTB-2M	3/4"	6-1/16" (160)	2-5/16" (59)	1-9/16" (40)	1-7/32" (31)	3-25/32" (96)	—	3/4" (19)	7.0
OTB-3	OTB-3M	1"	7-1/8" (181)	2-11/16" (68)	1-13/16" (46)	1-15/32" (37)	4-17/32" (115)	—	15/16" (24)	12.0
OTB-4	OTB-4M	1-1/4"	9-3/16" (233)	3-9/16" (90)	2-1/2" (64)	2" (51)	6" (152)	—	1-3/16" (30)	32.0
OTB-5	OTB-5M	1-1/2"	9-3/16" (233)	3-3/4" (92)	2-1/2" (64)	2" (51)	6" (152)	—	1-3/8" (35)	36.0
OTB-6	OTB-6M	2"	11-5/8" (295)	4-5/8" (117)	3-1/8" (79)	2-9/16" (65)	8-1/16" (205)	—	1-5/8" (41)	70.0

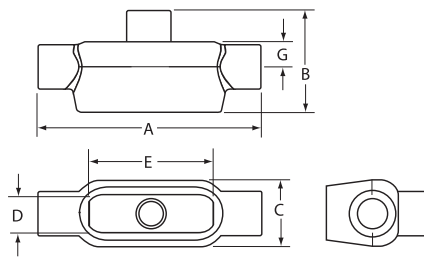
X TYPE CONDUIT BODY*

CATALOG NUMBER		HUB SIZE	DIMENSIONS							VOLUME CU. IN.
KILLARK ALUM.	DURALOY IRON		A	B	C	D	E	F	G	
OX-1	OX-1M	1/2"	5-3/8" (137)	1-3/4" (44)	1-11/16" (43)	1" (25)	3-5/32" (80)	—	5/8" (16)	4.0
OX-2	OX-2M	3/4"	6-1/16" (160)	2" (51)	2-7/8" (73)	1-7/32" (31)	3-25/32" (96)	—	3/4" (19)	7.0
OX-3	OX-3M	1"	7-1/8" (181)	2-1/4" (57)	3-3/8" (86)	1-15/32" (37)	4-17/32" (115)	—	15/16" (24)	12.0
OX-4	OX-4M	1-1/4"	9-3/16" (233)	2-9/16" (65)	4-1/2" (114)	2" (51)	6" (152)	—	1-3/16" (30)	32.0
OX-5	OX-5M	1-1/2"	9-3/16" (233)	2-3/4" (70)	4-1/2" (114)	2" (51)	6" (152)	—	1-3/8" (35)	36.0
OX-6	OX-6M	2"	11-5/8" (295)	3-3/8" (85)	5-1/4" (133)	2-9/16" (65)	8-1/16" (205)	—	1-5/8" (41)	70.0

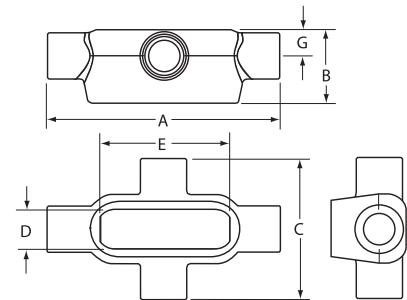
DIMENSIONS



TA Type



TB Type



X Type