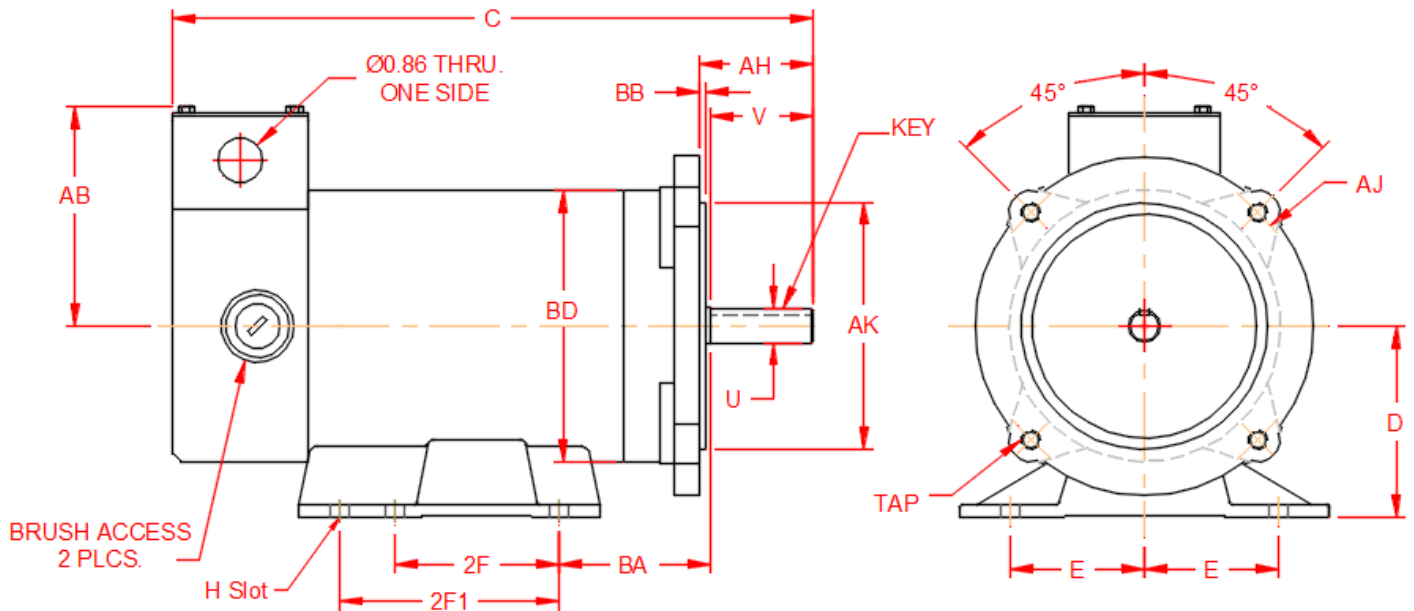


# Hallmark Industries, Inc. - PM DC MOTORS

Part Number: **MD0502C**

Description: PM DC, SCR Type, 1/4 HP, 90V, TENV, 56C w/Removable Base



D	E	2F	H	U	V	AB	AH	AJ	AK	BA	BB	BD	TAP	C
3-1/2	2-7/16	3.00	11/32 SLOT	0.625	1.875	3.6	2-1/16	5.875	4.500	2.750	0.125	4.45	3/8-16 UNC	9.9

Part #	H.P.	Base RPM	Arm. Volt.	NEMA Frame	Encl.	F.L Amps	INSUL.	F.F.	Torque	Serv. Factor	App. Wgt.
MD0502C	1/4	1750	90 VDC	56C	TENV	2.9	F	1.35	9 in.lbs	1.0	16 lbs

## HALLMARK INDUSTRIES, INC.

411 E. North Ave, Streamwood, IL 60107, USA • Ph: 847-301-8050 • www.hallmarkind.com