

Shinco®



SPF2-12HG

Portable Air Conditioner and Heater

USER MANUAL

**PLEASE KEEP THIS MANUAL CAREFULLY FOR FUTURE REFERENCE.
FOR HOUSEHOLD USE ONLY.**

CONTENT

Features and Technical Specifications	3
Important Safety Tips	4
Precautions	4
Product Introduction	8
Main Parts and Components	8
Control Panel and Remote Controller	10
Product Operation	11
Placement and Installation	11
Operation Method	12
Clean and Maintenance	14
Drainage Method	14
Maintenance	14
Common Failures and Diagnosis	15
Intelligent Error Detection	15
Fuse Parameters	15
Troubleshooting	16
Register Product	17

California Prop 65 Warning

 **WARNING:**

This product contains Acrylonitrile which is known to the state of California to cause cancer birth defects and other reproductive harm. Do not ingest.

For more info go to: www.P65warnings.ca.gov

Features:

- Lightweight & Portable AC Unit
- Compact Freestanding Room Air Conditioner & Heater
- (4) Operation Modes: AC Cool / Heat / Dehumidifier / Fan
- Hassle-Free, Quick Setup Heating & Cooling
- Simple Electric Plug-in Operation
- Temp Control Air Circulator Function
- Automatic Swing Mode: Moving Wind Vents for Air Circulation
- Convenient Wide-Area Climate Control Room AC Coverage
- Touch Button Control Panel with Digital LED Display
- Time, Temperature & Fan Speed Adjustment Settings
- Includes Universal Window Mount AC Exhaust Kit
- Removable & Washable Air Filter Screen
- Modern Style, Sleek Body Housing
- Energy Efficient: Low Power Consumption
- Low Noise Level Motor
- Rolling Wheels for Easy Portability
- Used for Home, Office, School & Business Rooms

What's in the Box:

- AC Unit
- Exhaust Hose
- Window Installation Plate
- Digital Remote Control

Technical Specs:

- AC Cooling Power: 12,000 BTU
- Cooling Capacity (SACC): 7,800 BTU
- Heating Power: 12,000 BTU
- Coverage Area: Cools & Heats Rooms Up to 450' + Square feet
- Rated Power: 1035Watt
- Air Flow: 360 Cubic Meters / Hour
- Operating Modes: Cool / Heat / Fan / Dry (Dehumidifier)
- Moisture Removal / Dehumidifier: 1.8 Liters / Hour
- Operating Noise Level: 56 dBA
- Fan Speed Settings: Low/Medium/High
- Temperature Unit Selectable: °F / °C (Fahrenheit / Celsius)
- Adjustable Timer Settings: Up to 24 Hours
- Construction Material: Engineered ABS Housing
- Battery Operated Remote Control, Requires (2) x 'AAA' Batteries, Included
- Power Cable Length: 4.3'ft.
- Power Supply: 120V
- Dimensions (L x W x H): 17.4" x 13.4" x 32.1" inches

Safety Tips

PRECAUTIONS

Please read the manual carefully before operating the machine:

- This machine is for household use only.
- This machine is for indoor use only. Please place it in a dry environment.
- Check the power cord frequently. If the power cord, plug, or A/C is damaged, do not operate. If the power cord is not long enough, a power extension cable can be used. Ensure the cable is not scattered in places where it may be pulled out or cause someone to trip.
- Keep the A/C away from heat sources and avoid direct sunlight.
- Turn off the A/C before unplugging it.
- Turn off and unplug the A/C before removing or cleaning it, or replacing its parts, or when it is not in use.
- Clean the A/C according to the manual.

- The voltage of the A/C should meet the required specifications. Any damage caused by incorrect power supply is not covered by the warranty.
- Children are not allowed to play with the A/C. This appliance is not intended for use by children unless they have been given supervision or instruction concerning its use by a person responsible for their safety.
- Do not insert fingers or any hard object into the wind guide bar of the air outlet.
- Do not place the A/C in areas with water or other liquids.
Prevent water or liquid from entering the A/C.
- Do not attempt to repair the A/C by yourself. Any potential hazards caused by unauthorized maintenance will void the warranty. If the power cord is damaged, it must be replaced by professional maintenance personnel.
- Use only the accessories provided by the A/C manufacturer; otherwise, the A/C may be damaged.
- Cleaning and user maintenance should not be performed by children without supervision.

READ ALL INSTRUCTIONS BEFORE USE

Your safety and the safety of others are very important. We have provided many important safety messages in this manual and on your appliance.

Always read and follow all safety messages.



A2L This symbol indicates that this appliance uses a flammable refrigerant. If the refrigerant leaks and comes into contact with an external ignition source, there is a risk of fire.



This symbol indicates that the operation manual should be read carefully.



This symbol indicates that service personnel should handle this equipment with reference to the installation manual.



This symbol indicates that information is available, such as the operating manual or installation manual.

▲ REFRIGERANT (FOR R32 ONLY)



A2L

CAUTION ON FIRE

READ THE MANUAL CAREFULLY BEFORE USING THE APPLIANCE.

R32 refrigerant gas complies with international environmental directives.

▲ Warnings

- Do not use methods to accelerate the defrosting process or cleaning other than those recommended by the manufacturer.
- The appliance shall be stored in a room without continuously operating ignition sources (e.g., open flames, operating gas appliances, or operating electric heaters).
- Do not pierce or burn the appliance.
- Be aware that refrigerants may not contain an odor.

The instructions should contain the following information:

- Piping material, pipe routing, and installation should include protection from physical damage during operation and service, and comply with national and local codes and standards, such as ASHRAE 15, IAPMO Uniform Mechanical Code, ICC International Mechanical Code, or CSA B52.
- All field joints shall be accessible for inspection prior to being covered or enclosed.
- The installation of pipework should be kept to a minimum.
- Provisions should be made for expansion and contraction of long runs of piping.
- Protection devices, piping, and fittings should be protected against adverse environmental effects (e.g., the risk of water collecting and freezing in relief pipes or the accumulation of dirt and debris).
- The piping in refrigeration systems should be designed and installed to minimize the likelihood of hydraulic shock damaging the system.
- Steel pipes and components should be protected against corrosion with a rustproof coating before applying any insulation.
- Flexible pipe elements should be protected against mechanical damage, excessive stress by torsion, or other forces, and should be checked for mechanical damage annually.
- Precautions should be taken to avoid excessive vibration or pulsation.

▲ When using the product:

- Keep any required ventilation openings clear of obstructions.
- Servicing should be performed only as recommended by the manufacturer.

Unventilated Area

- An unventilated area where the appliance using flammable refrigerants is installed should be constructed so that, in case of a refrigerant leak, it will not stagnate and create a fire or explosion hazard.
- The non-fixed appliance should be stored in an area where the size corresponds to the room area specified for operation.
- The non-fixed appliance should be stored in a room without continuously operating open flames or other potential ignition sources.
- The manufacturer should specify any other continuously operating sources known to cause ignition of the refrigerant used.
- The appliance should be stored in a manner that prevents mechanical damage.
- Non-duct connected appliances containing A2L refrigerants with air openings in the conditioned space may have the body of the appliance installed in open areas such as false ceilings (not used as return air plenums), as long as the conditioned air does not directly communicate with the air in the false ceiling.

Qualification of Workers

- All operators or refrigeration circuit maintenance personnel should obtain a valid certificate issued by an industry-recognized evaluation agency to demonstrate that they have the qualifications to safely handle refrigerants, as required by the industry-recognized evaluation scope.
- Perform equipment maintenance and repairs only in accordance with the methods recommended by the appliance manufacturer.
If another professional is required to assist in maintenance and repairs, it should be carried out under the supervision of personnel qualified to handle flammable refrigerants.

Special Warning:

- Place the A/C on even ground and install it vertically to ensure normal operation of the compressor.
- Keep the A/C at least 50 cm (20 inches) away from surrounding objects. Ensure smooth air inlet and outlet.
- Do not use the A/C near gasoline or any other flammable liquids.
- Do not use spray agents or other solvents or flammable substances near the A/C, as this could cause plastic deformation and damage the electric parts.

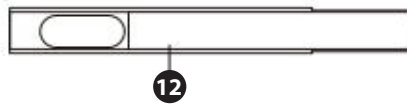
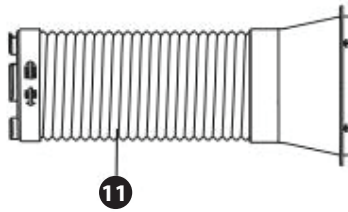
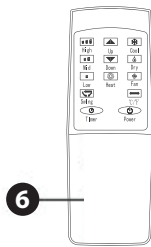
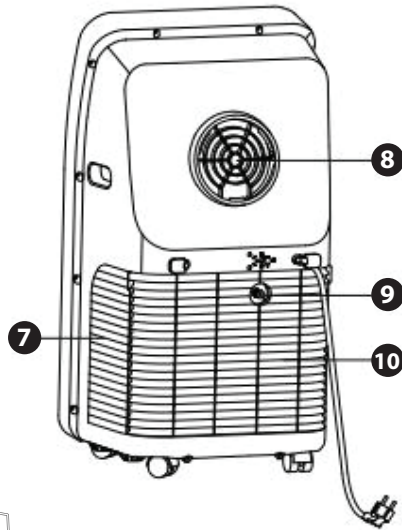
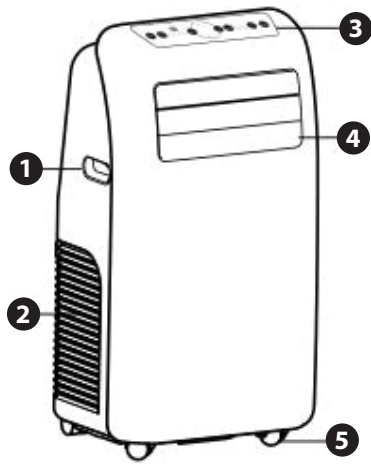
Power

- The plug should be in good condition and not damaged.
Do not replace the plug with another power plug.
- To operate the A/C, plug in the power cord first, then press the power key.
- Place the unit in an upright position for 2 hours before turning it on for the first time.

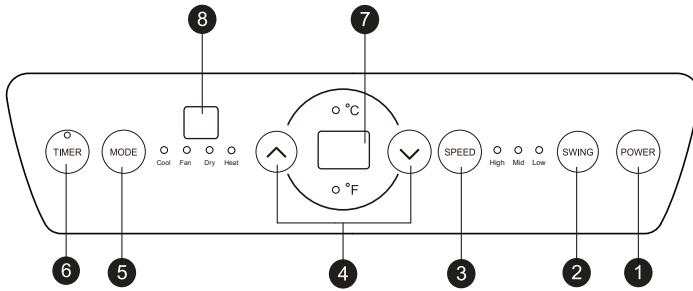
Product Introduction

Main Parts and Components:

1. Handle
2. Air inlet (L)
3. Control panel
4. Wind guide vent
5. Caster
6. Remote controller
7. Air inlet (R)
8. Air outlet
9. Dehumidification drainage nozzle
10. Air inlet grille
11. Exhaust duct assembly
12. Window sealing plate assembly



Control Panel and Remote Controller



Cooling and Heating Model

1. Power Key:

Press to turn ON/OFF the A/C.

2. Swing Key:

Press to activate the automatic swinging of the wind guide bar.

3. Speed Key:

Press to select high/medium/low fan speed.

4. Temperature/Time Adjusting Key:

Press in cooling mode to increase/decrease the setting temperature; press in timing mode to adjust the ON/OFF timing; press both Up and Down keys simultaneously to switch between Fahrenheit and Celsius temperature settings.

5. Mode Key:

Press to choose between cooling, fan, heating, or dehumidification modes.

6. Timer Key:

Press in standby mode to set ON time.

Press in ON mode to set OFF time.

7. Temperature/Time Display Window:

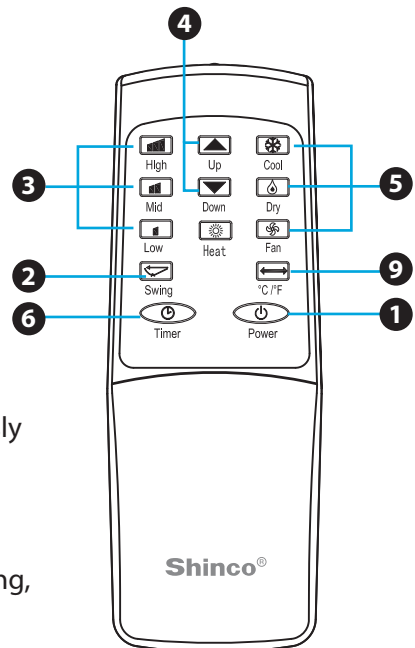
Displays the adjusted temperature and time.

8. Remote Controller Receiving Window:

Receives signals from the remote controller.

9. °C/°F Switching Key:

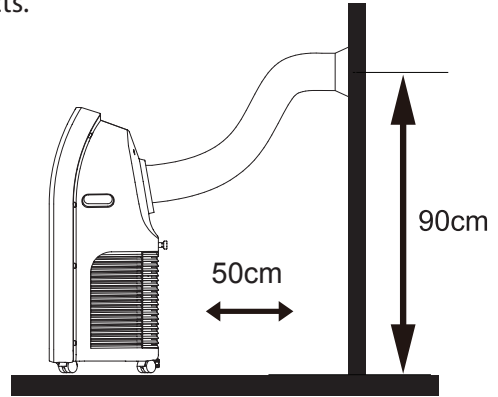
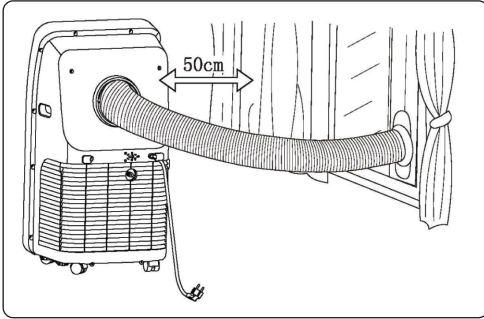
Press to switch between °C and °F temperature units.



Product Operation

Placement and Installation

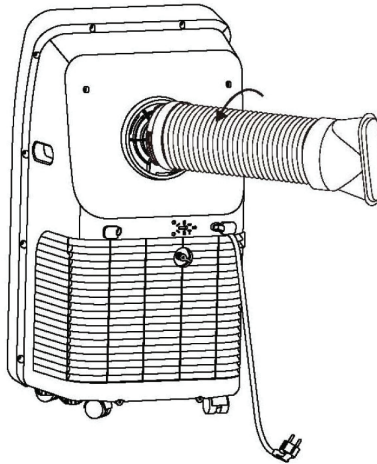
Placement: Place the unit on an even, dry surface, ensuring it is at least 50 cm (20 inches) away from surrounding objects.



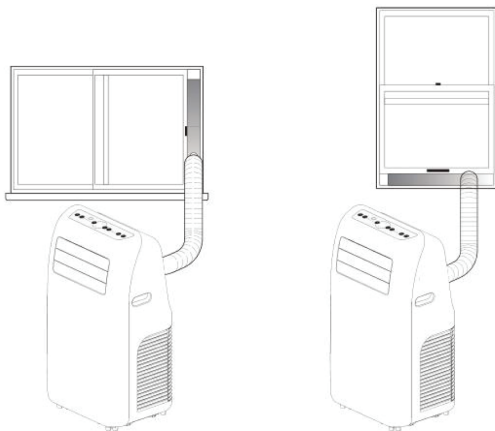
Best Installation

Installation:

- Screw the exhaust duct assembly into the air outlet behind the panel (turn counterclockwise).



- Insert the air exhaust hose into the window sealing plate, then adjust the window opening width so that the window fits securely with the sealing plate. The sealing plate length is adjustable.

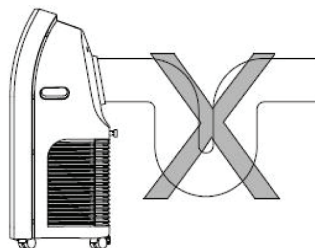


Incorrect Installation:

- It is important to keep the exhaust duct smooth.
Incorrect installation will affect the operation of the A/C.
- Prevent the exhaust duct from sharp bending.
- Ensure air can flow smoothly through the duct.

Warning:

The exhaust duct is specifically designed for this model. Do not replace or lengthen it, as it will result in failure.



Notice:

The maximum developed length of the exhaust duct is 1,500 mm. It is better to shorten it during use and keep it horizontal during installation.

Operation Method

Cooling Mode:

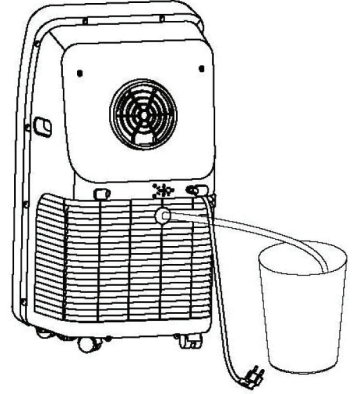
- When the A/C enters cooling mode automatically or when cooling mode is selected after power ON, the cooling indicator lamp will light up.
- Press the Up/Down keys to adjust the setting temperature (16°C 30°C or 60°F 86°F).
- Press the Speed key to select high, medium, or low fan speed.

Fan Mode:

- When the mode key is pressed or Fan mode is selected via the remote controller, the wind indicator lamp will light up.
- Press the Speed key to select high, medium, or low fan speed.
- Temperature cannot be set in this mode.

Dehumidification Mode:

- Press the mode key or select Dehumidification mode via the remote controller, and the dehumidification indicator lamp will light up.
- Remove the dehumidification water wedge, insert the water manifold, and place the other end of the water manifold into a water vessel or drainage passage as shown.
- In dehumidification mode, if the room temperature is $\geq 17^{\circ}\text{C}$ (62°F), the compressor is ON. When the room temperature $\leq 15^{\circ}\text{C}$ (59°F), the compressor turns OFF; it will restart after 3 minutes when the temperature rises to $\geq 17^{\circ}\text{C}$ (62°F).
- The fan runs at low speed by default, and the wind speed cannot be adjusted.
- Temperature cannot be set in this mode.



Auto Mode (for cooling model only):

- Press the mode key or select Auto mode via the remote controller, and the auto indicator lamp will light up.
- In Auto mode, the operation state is determined by the environmental temperature:
 - When the environmental temperature is higher than 25°C (77°F), the operation state is the same as that of cooling mode.
 - When the environmental temperature is lower than 25°C (77°F), the operation state is the same as that of fan mode.

Timer Mode:

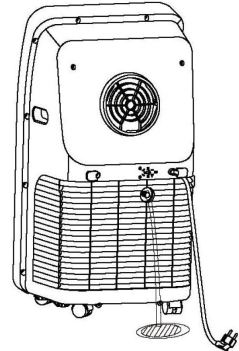
- In standby mode, press the Timer key to set the ON time. Use the Up and Down keys to set the ON time (1-24 hours). The timer indicator lamp will light up.
- In ON mode, press the Timer key to set the OFF time. Use the Up and Down keys to set the OFF time (1-24 hours). The timer indicator lamp will light up.

Clean and Maintenance

Drainage Method:

This product is equipped with an automatic water vaporization system. The condenser is cooled with circulating condensing water to improve cooling efficiency and save energy.

- If the internal vessel is full of water, the display screen will show "FL," and the compressor will stop working automatically. After power off, unscrew the water cover, pull out the water plug to drain the water, and the unit will return to normal after restarting.



Maintenance

Notice:

To avoid electric shock, please turn off the A/C and unplug it before performing maintenance or repairs.

Cleaning

- Unplug the unit before cleaning.
- Wipe the unit with a soft, semi-dry cloth. Do not use chemical agents like benzene, alcohol, or gasoline, as these could damage the surface of the A/C or the entire unit.
- Prevent water from splashing into the A/C.

Filter Screen

- Vacuum the filter screen every two weeks. If it becomes blocked with dust, the efficiency of the A/C will be reduced.
- Remove the air inlet grille and pull out the filter screen from both sides, as shown in the figures. Use a vacuum to remove any lint or dust from the filters.
- Soak the filter screen in warm water (about 40°C or 104°F) with neutral detergent, then dry it in a shaded place after cleaning.

Seasonal Cleaning

If the A/C will not be used for an extended period:

- Pull out the water plug to drain.
- Run the A/C in fan mode for 2 hours until the inside is dry.
- Turn off the A/C and unplug it.
- Clean the filter screen and reassemble it.
- Dismantle the exhaust duct and store it properly.
- Cover the A/C with a plastic bag and store it in a dry place.

Common Failures and Diagnosis

Intelligent Error Detection

- **Error Code E1:** Error with the coil's temperature sensor.
- **Error Code E2:** Error with the indoor temperature sensor.
- **Error Code E4:** Anti-freezing protection; the temperature of the coil is too low, and the entire A/C turns off. When the temperature exceeds 8°C (46.4°F), the protection is released, and the previous working state resumes.

Fuse Parameters:

- Voltage: 250 VAC
- Current: 3.15 A

Troubleshooting

In case of any of the following issues, please contact professional maintenance personnel immediately.

Trouble	Cause	Solution
The A/C doesn't work	No display	Reset the circuit breaker on the A/C cord
	The display panel shows "FL"	Restart the A/C after powering off and draining; it will normalize
	The Time OFF function is started	The A/C can be restarted 3 min. after being turned off
The A/C starts frequently	Direct sunlight	Close the curtains
	Open doors and windows or too many people/heat sources in the room	Close doors and windows, remove heat sources
	Filter screen is very dirty	Clean or replace the filter screen
	Air inlet or outlet is blocked	Remove the obstruction
Big noise from the A/C	The A/C is placed unevenly	Place the unit on even, firm ground to prevent shaking
The compressor doesn't work	Delay protection activated	Wait for 3 minutes for the temperature to decrease, then turn on again

Notice: When there is any abnormality with the A/C, turn it off, unplug it, and contact professional maintenance personnel.

The above technical parameters are subject to change without notice.

Disposal Notice:



- Do not dispose of electrical appliances as unsorted municipal waste. Use separate collection facilities. Contact your local government for information on available collection systems.
- If electrical appliances are disposed of in landfills or dumps, hazardous substances can leak into the groundwater, damaging your health and well-being. When replacing old appliances with new ones, retailers are legally obligated to take back your old appliance for disposal, at least free of charge.