



## Emergency pull-wire switch

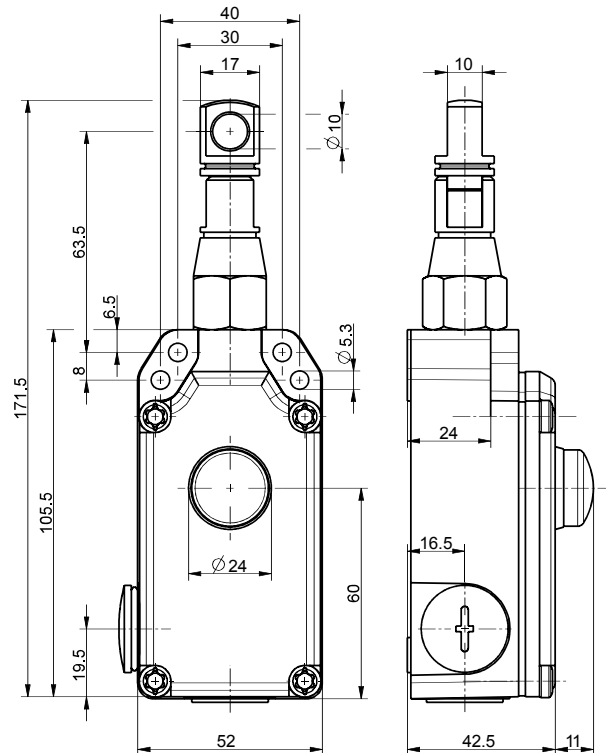
ZS 71 2Ö/1S VD / 100 N

Article no.: 1185002 (old article no.: 71941901)

### Product features

- Metal enclosure
- Compact design
- Wire length up to 35 m
- Spring force variant: 100 N
- Release by push button (VD)
- Wire pull and breakage detection

### Dimensions



### Technical data

#### Applied standards

EN 60947-5-1, EN 60947-5-5, EN ISO 13850, EN ISO 13849-1

#### Enclosure

aluminium die-cast, powder-coated

#### Cover

thermoplastic, glass-fibre reinforced, shockproof, self-extinguishing UL 94 V-0

#### Degree of protection

IP65 (IEC/EN 60529)

#### B<sub>10d</sub> (10 % load)

100 000

#### T<sub>M</sub>

max. 20 years

#### Contact material

silver

#### Switching system

snap action, positive break NC contacts  $\ominus$

#### Switching elements

2 NC/1 NO contact, type Zb

#### Connection

screw connection terminals

#### Cable cross-section

min. 0.5 mm<sup>2</sup>, max. 2.5 mm<sup>2</sup> (incl. conductor ferrules)

#### Stripping length

6 mm

#### Cable entry

2 x M20 x 1.5 (for cable glands only)

#### Rated impulse withstand voltage U<sub>imp</sub>

6 kV

#### Rated insulation voltage U<sub>i</sub>

400 V

#### Conventional thermal current I<sub>the</sub>

2 A

#### Utilisation category

AC-15

#### Rated operating current/voltage I<sub>e</sub>/U<sub>e</sub>

2 A/250 VAC

Errors and omissions excepted.



## Emergency pull-wire switch

ZS 71 2Ö/1S VD / 100 N

Article no.: 1185002 (old article no.: 71941901)

### Technical data (contd.)

**Short-circuit protection**

2 A gG fuse

**Ambient temperature**

-25 °C ... +70 °C

**Mechanical life**

> 100 000 operations

**Max. wire length**

35 m

**Note**

At 3 m distance intermediate wire supports are required. One wire thimble is provided.

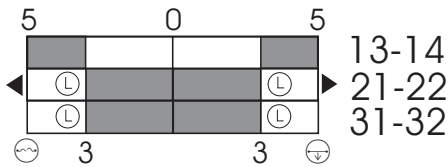
**Approvals**



**Weight**

368 g

### Switching diagram



- Ⓛ Latching point
- ⊖ Wire breakage detection
- ⊕ Wire pull detection

### Contact diagram

