

TYPE YA-E

E-LINE HYLUG™ Equipment Line



UL Listed 90° C, Up to 35 kV ♦

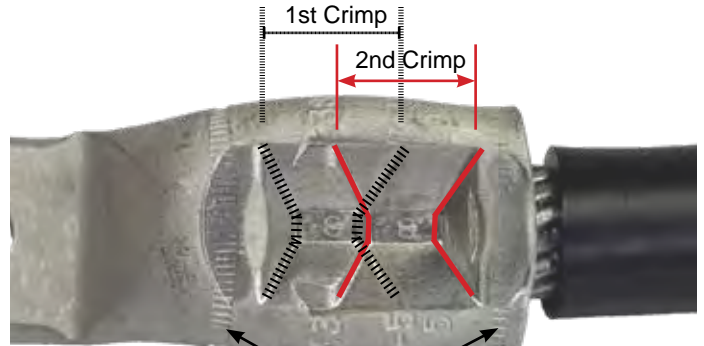
Type YA-E Equipment terminals are designed to provide replacements for original equipment mechanical or other compression terminals. These narrow tongue terminals are specially designed to fit in tight areas. Whether you're upgrading or replacing, YA-E connectors will provide for any of your cable termination needs. When installed with our dieless tool, these terminals can accommodate a range of conductor sizes.



NOTE: Field bending straight lugs to achieve an angular connection will void UL Listing / CSA Certifications and BURNDY will not be liable for the connection.

Features & Benefits

- Narrow tongue/tang is designed to allow for more parallel terminations of wire in limited space applications
- Terminals are available in copper or aluminum material
- Aluminum terminals accommodate both copper and aluminum wire
- Barrel is designed with an internal chamfer at the wire entry to ensure smooth insertion of the wire
- One or two-hole tongue/tang styles are available; 2-hole tongue/tang is recommended when space permits as the 2-hole feature minimizes the terminations from loosening or rotating under vibration, movement or heat cycling
- Electro-tin plated unless specified to reduce galvanic corrosion (bimetallic) and resist corrosive elements
- Connectors are clearly marked with stamping and barrel color coding
- Overlap crimps should crimp the entire crimp zone
- BURNDY certifies its products using the BURNDY Engineered System and select other crimp tool manufacturers in accordance with one or more of the UL categories in order to obtain a UL Listing
- Terminals and splices accommodating code wire: Accommodates Code Class B (Concentric, Compressed, Compact) and Class C wire



When overlapping crimps, ensure pyramid crimp shapes are within knurl marks.

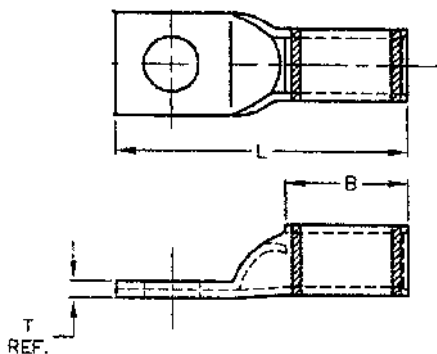


Fig. 1

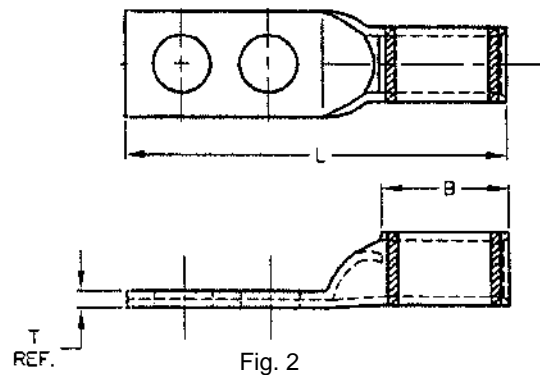


Fig. 2

TYPE YA-E (Continued)



NOTE: Field bending straight lugs to achieve an angular connection will void UL Listing / CSA Certifications and BURNDY will not be liable for the connection.



ALUMINUM E-LINE HYLUG™ COMPRESSION TERMINALS

Catalog Number	Fig. No.	Conductor Accommodations		Stud Hole Size	Stud Hole Spacing	Tongue Width (max)	Dimensions			† Installation Tooling				Wire Strip Length	
		Aluminum AWG/KCMIL	Copper or Aluminum Expanded Wire Range using 644 / 444 Series				B	T	L	Dieless (# of crimps)	35, 750, 46* Series (# of crimps)	Color Code	Die Index		
YA26A13N100T516E	1	2/0 AWG	#1 - 2/0 AWG	5/16	—	1.00	1.11	0.24	2.45	644 Series (1) 444 Series (1) 81K Series (2)	U26ART (2)	Olive	297	1-3/16	
YA26A6N100T38E				3/8	—	1.00	1.11	0.24	2.53						
YA27A10S76T516E	1	3/0 AWG	#1 - 3/0 AWG	5/16	—	0.76	1.11	0.26	2.58		U27ART (2)	Ruby	467	1-3/16	
YA28A14N100T516E	1	4/0 AWG	1/0 - 4/0 AWG	3/8	—	1.00	1.39	0.30	2.85						
YA28A1N100T38E				5/16	—	1.00	1.39	0.30	2.94						
YA30A9N100T516E	1	300 kcmil	2/0 AWG - 300 kcmil	5/16	—	1.00	1.53	0.36	3.12		U30ART (2)	Blue	470	1-5/8	
YA30A6N100T38E				3/8	—	1.00	1.53	0.36	3.20						
YA30A1N131T12E				1/2	—	1.31	1.53	0.35	3.57						
YA31A1N100T516E	1	350 kcmil	3/0 AWG - 350 kcmil	5/16	—	1.00	1.85	0.39	3.51		644 Series (1) 444 Series (1) 81K Series (2)	U31ART (2)	Brown	299	1-7/8
YA31A9N100T38E				3/8	—	1.00	1.85	0.39	3.59						
YA32A8N106T516E	1	400 kcmil	4/0 AWG - 400 kcmil	5/16	—	1.06	2.26	0.43	3.92		644 Series (1) 444 Series (1) 81K Series (2)	U32ART (4)	Green	472	2-5/16
YA34A8N131T38E **	1	500 kcmil	4/0 AWG - 500 kcmil	3/8	—	1.31	1.64	0.35	3.88						
YA34A7N131T12E **				1/2	—	1.31	1.64	0.35	3.88						
YA34A3N131T12E **	2	600 kcmil	250 - 600 kcmil	1/2	1.75	1.31	1.64	0.39	5.71	644 Series (2) 444 Series (2) 81K Series (2)	U34ART (4)	Pink	300	1-11/16	
YA36A9N131TD12E **	1			1/2	—	1.31	1.64	0.39	3.98						
YA36A3N131TD38E **	1			3/8	—	1.31	1.64	0.39	5.32						
YA36A3N131TD12E **	2			1/2	1.75	1.31	1.64	0.39	5.71						
YA39A1N131TD12E **	1	750 kcmil	500 - 900 @ kcmil Aluminum 500 kcmil Copper Only	1/2	—	1.31	1.86	0.31	4.28	644 Series (2) 444 Series (2) 81K Series (2)	U34ART (4)	Pink	300	1-15/16	
YA39A5N131TD12E **	2			1/2	1.75	1.31	1.86	0.31	6.09						

† A variety of BURNDY® installation tools are available and not all tools are listed. If you require additional tooling information, please feel free to call our customer service department for other recommendations.

* Use PUADP1 adapter with U dies in 46 Series, P-RT die sets for use in 46 Series only, PUADP1 adapter not required.

Note: All dimensions shown are for reference only.

© 900 kcmil Aluminum must be Compact Stranding and use 644 or 444 Series Tools

**Overlap crimps when using U Dies, 644 or 444 Series Tools.