



# VANTOR™

## Full Cut-off Wall Pack



SKU	DLC Model #
157055	WP28-14-120L-S2D4C3

Beyond LED Technology's VANTOR Full Cutoff LED Wall Pack is a reliable and energy-efficient outdoor lighting solution designed to deliver powerful illumination. With selectable wattage, color temperature (CCT), and photocell ON/OFF control, the VANTOR Wall Pack offers versatile configuration options while reducing inventory SKUs. It delivers up to 160 lumens per watt, ensuring exceptional brightness and long-term energy savings. The built-in Dusk-to-Dawn photocell enables automatic lighting control based on surrounding light levels. Optional microwave motion sensors and emergency driver compatibility enhance safety and adaptability across various outdoor applications. Constructed with a durable die-cast aluminum housing, IP65 waterproof rating, and a polycarbonate lens, the VANTOR Wall Pack is built to withstand demanding environments. Its full cutoff optical design ensures efficient, targeted lighting for areas such as warehouses, commercial exteriors, walkways, and perimeter zones.

### Product Features

- Up to 160 lm/W
- Adjustable CCT
- Adjustable wattages
- Available in 14"
- 0-10V Dimmable
- Photocell ON/OFF Built-in
- Input Voltage 120-277V
- Aluminum die-cast housing
- IP65 rated
- UL & DLC Listed
- 5 Years warranty

# VANTOR™

## Full Cut-off Wall Pack



SKU	ADJ. WATT	MAX LUMENS	ADJ. CCT	INPUT VOLTAGE	CRI	LIGHT SPREAD	CONSTRUCTION	DIMMING	IP RATING	CERTIFICATIONS
157055	60W/90W/100W/120W	19200	3K / 4K / 5K	120-277V	>70	100°	Aluminum+PC	0-10V	IP65	UL & DLC

### SKU: 157055 Specifications

Parameter	Description	Value
General Performance	Model #	WP28-14-120L-S2D4C3
	Adjustable Watt	60W/90W/100W/120W
	Max Lumens	19200
	Lumen Efficacy	Up to 160LM/W
	Color Temperature	3000K/4000K/5000K
	CRI (Ra)	≥80
	Light Spread	100°
	Diffuser Type	PC Lens
Electrical	Input Voltage	120-277Vac
	Frequency	50/60Hz
	Dimming	0-10V
	Light Distribution	Type III
	Power Factor	≥0.9
	THD	<20%
	Flicker Percent	<5%
	Driver Surge protection	L/N 6KV, L/N-P 6KV
Physical	Driver Brand	Sosen
	Driver Model	SS-120NH
	Operating Temperature	-40°C TO 50°C
	Operating Humidity	10% - 90% RH
	Storage Temperature	-40°C TO 90°C
	Storage Humidity	5% - 95% RH
	LED Brand	Lumileds
	LED Type	SMD2835
	LED QTY	480PCS
	Construction	Die-cast Aluminum
Qualification	Housing Color	Bronze
	IP Rating	IP65
	Warranty	5 Years

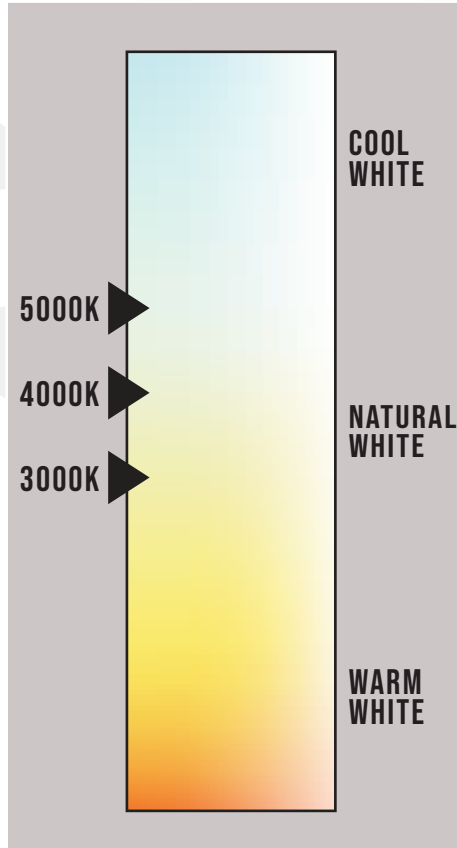
FULL CUT-OFF WALL PACK



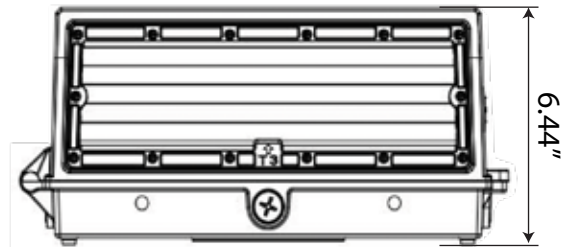
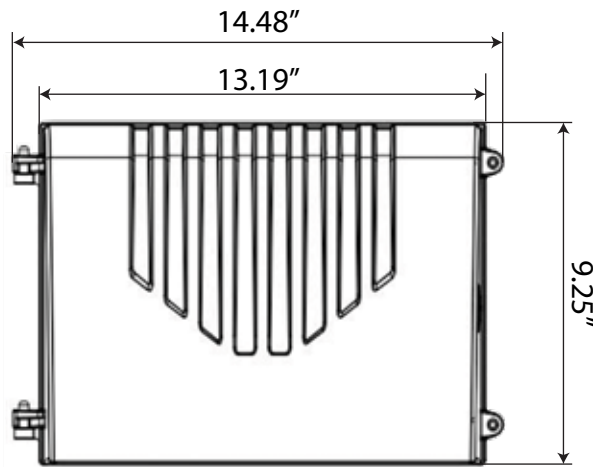
# VANTOR™

## Full Cut-off Wall Pack

### Correlated Color Temperature (CCT)



### Dimensions



# VANTOR™

## Full Cut-off Wall Pack



### Product View

#### Die-cast aluminum housing

Durable housing provides good heat dissipation.

#### 1/2" Knockouts

#### Optical polycarbonate lens

DLC Standard Full cut-off wall pack.

#### Microwave motion sensor (Zhaga receptacle)



#### Field-adjustable CCT

3CCT Selectable: 3000K/4000K/5000K.

#### Photocell ON/OFF

#### Field-adjustable wattage

4 Wattage selectable.

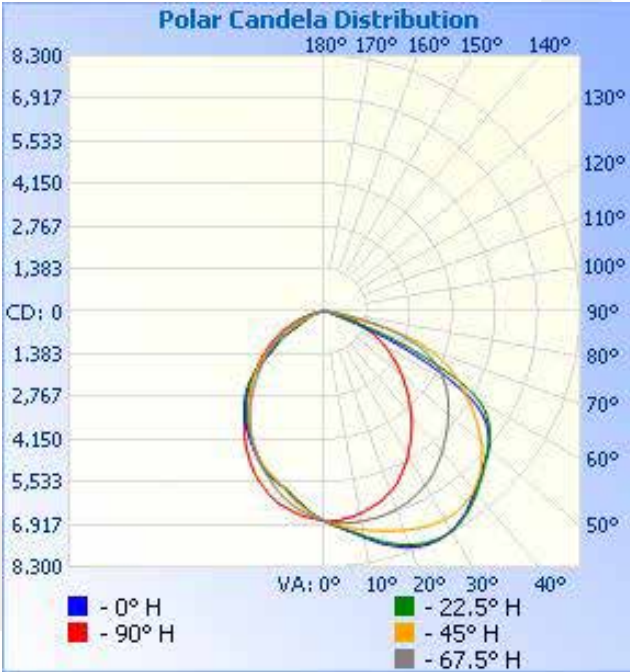
#### Built-in photocell

FULL CUT-OFF WALL PACK

# VANTOR™

## Full Cut-off Wall Pack

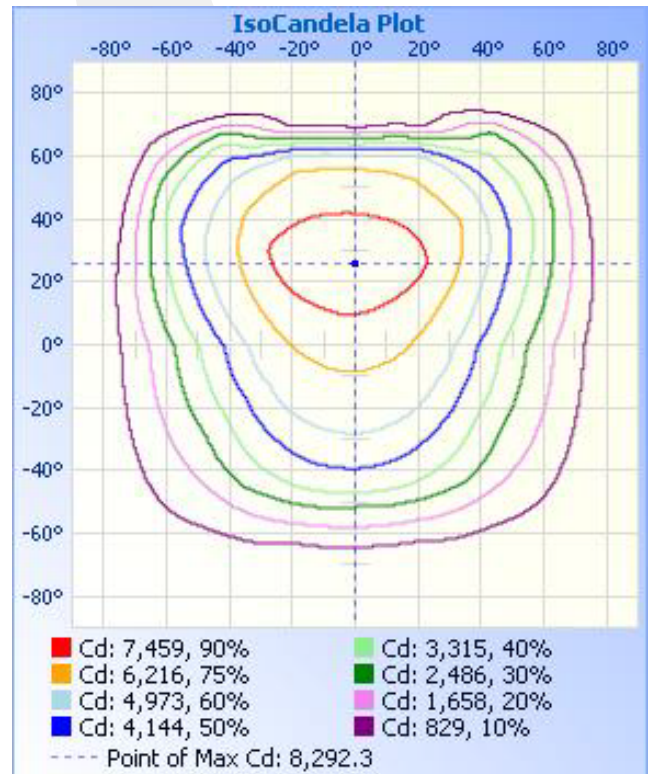
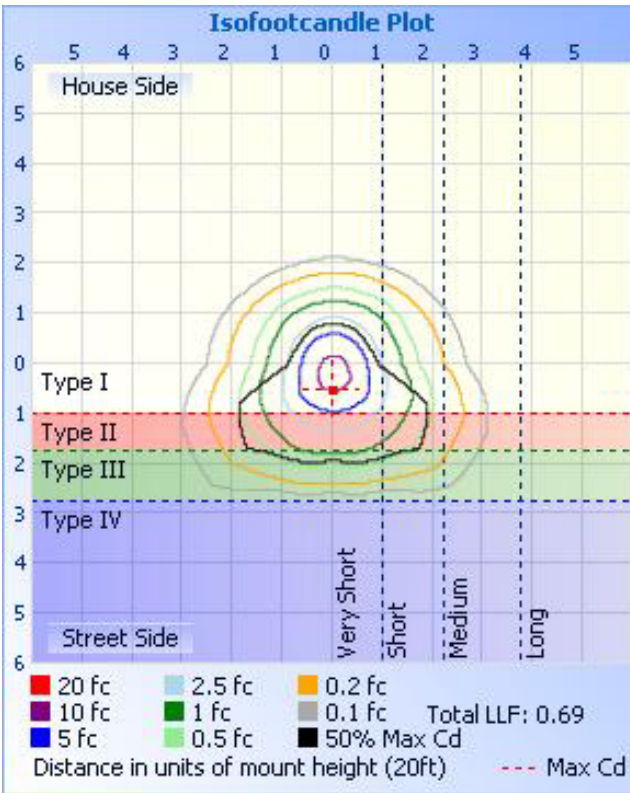
### Photometric Data



**Illuminance at a Distance**

	Center Beam fc	Beam Width	
4.0ft	425.2 fc	9.8 ft	9.9 ft
8.0ft	106.3 fc	19.5 ft	19.8 ft
12.0ft	47.2 fc	29.3 ft	29.8 ft
16.0ft	26.6 fc	39.0 ft	39.7 ft
20.0ft	17.0 fc	48.8 ft	49.6 ft

■ Vert. Spread: 101.3°  
■ Horiz. Spread: 102.3°



# VANTOR™

## Full Cut-off Wall Pack



### Installation

#### IMPORTANT CAUTION

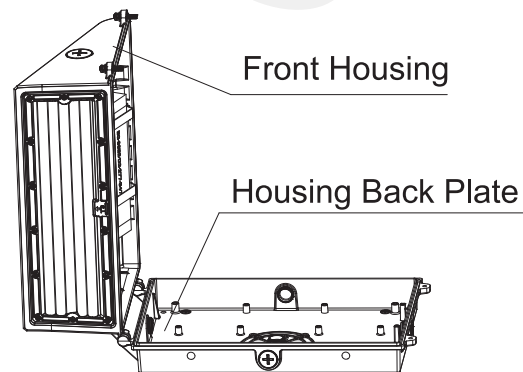
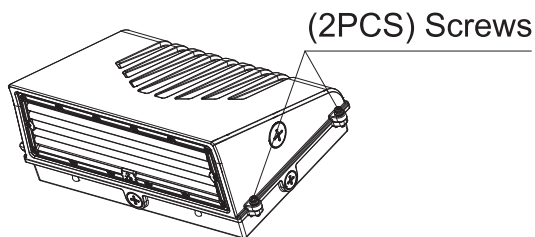
READ CAREFULLY BEFORE INSTALLING FIXTURE. RETAIN THESE INSTRUCTIONS FOR FUTURE REFERENCE.

**WARNING: TURN OFF POWER BEFORE INSTALLATION.**

1. Review the diagrams before beginning, and make sure the fixture is grounded properly.
2. This fixture has to be installed or maintained in accordance with the application code by a professional person who is familiar with the construction and operation of the product and the hazards involved.
3. This fixture must be wired in accordance with the international electrical code and applicable local codes and ordinances.
4. Proper grounding is required to ensure personal safety. Carefully observe the correct grounding procedure under the installation section.
5. Check that the voltage is compatible with the fixture driver, and use approved connectors for all electrical connections.

#### INSTALLATION

1. Unscrew the Front Housing with a Philips screwdriver by loosening (2) screws. Confirm junction box size and junction box mounting provisions to that of the light fixture.
2. Attach the light fixture to the junction box or mounting surface.
3. Attach the appropriate wires to the light fixture wires, green to green, black to black, and white to white. Secure each wire pair with a wire nut. (Wiring instruction FYI.) The cable inlet needs to be waterproofed, such as applying waterproof glue.
4. Close the Front Housing and tighten screws(2pcs) on the Front Housing.

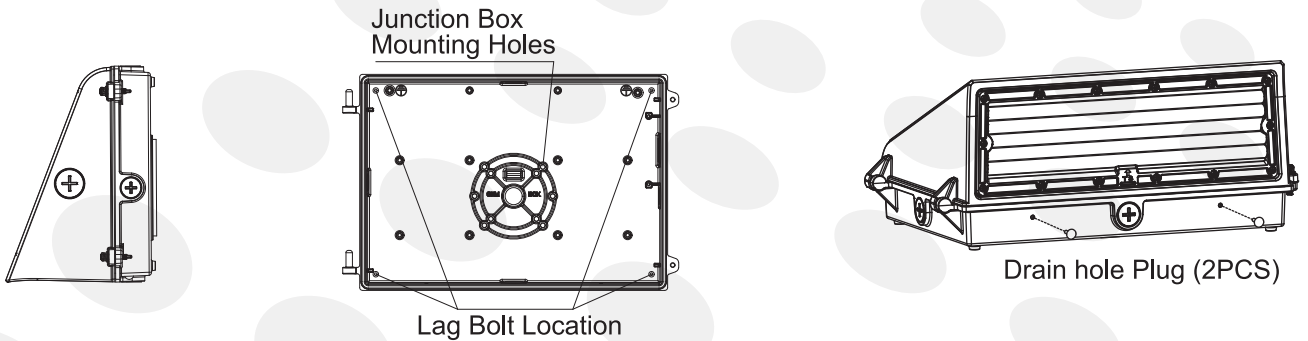


# VANTOR™

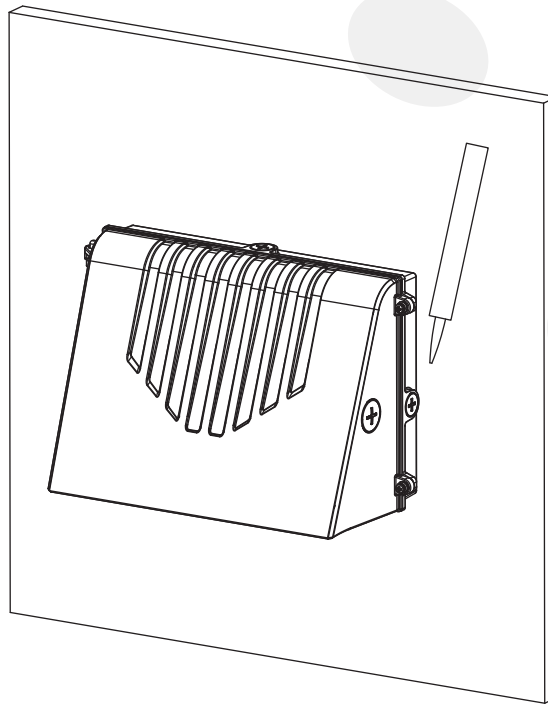
## Full Cut-off Wall Pack

### Installation

5. The fixture must be mounted on the wall with the lens facing down as shown in the picture. After the product is installed, remove the two drain hole plugs to prevent internal water accumulation.



6. Apply weatherproof silicone sealant between the wall and fixture housing to ensure a weatherproof installation.



# VANTOR™

## Full Cut-off Wall Pack

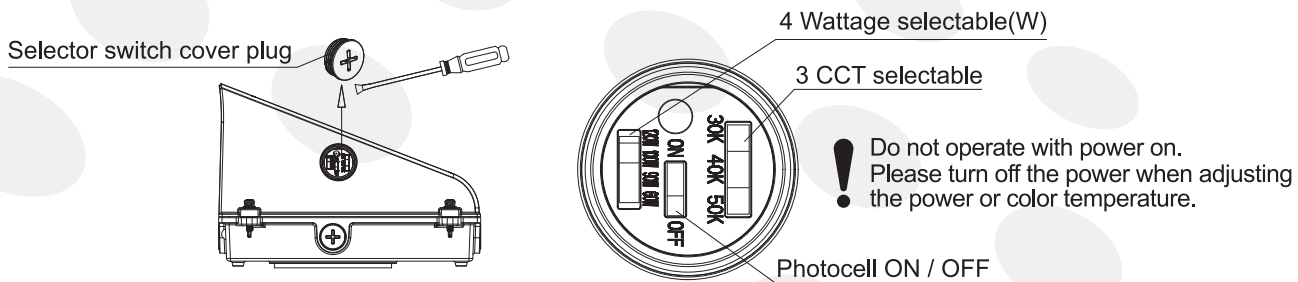


### Installation

## FUNCTION ADJUSTMENT

Follow the instructions below to change fixture Color Temperature (CCT), Power (W), and/or Photocell On/Off option from the factory default settings before installation: Factory Default Settings: Max wattage, 5000K, Photocell/ON

1. Locate the Selector Switches on the side of the Housing as shown in the figure and remove the Selector Switch Cover Plug.
2. Select Color Temperature (CCT), Power (W), and/or Photocell On/Off position by sliding the respective switch to the desired value.
3. Replace the Selector Switch Cover Plug. Tighten the plug to prevent water.

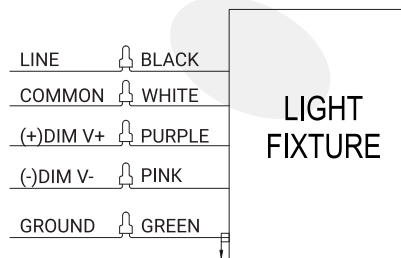


## CONNECTION DIAGRAM

**WARNING: TURN OFF POWER BEFORE CONNECTING WIRES.**

Black wire connects to L, White wire connects to N, Green wire connects to GROUND.  
For 0-10V dimming, the wiring direction is as below:

1. Turn off the power.
2. Connect the BLACK wire with the LINE.
3. Connect the WHITE wire with the COMMON.
4. Connect the GREEN wire with the GROUND.
5. Connect the PURPLE wire with the (V+) DIM.
6. Connect the PINK wire with the (V-) DIM.



## MAINTENANCE AND CLEANING

**WARNING: TURN OFF POWER BEFORE MAINTENANCE AND CLEANING.**

1. Before touching the fixture, make sure the fixture is cooling.
2. Do not clean or maintain while the fixture is energized.
3. Clean the lens & fixture with a non-abrasive glass cleaning solution.
4. Do not open the fixture to clean and touch LED chips.

# VANTOR™

## Full Cut-off Wall Pack

### Packaging

SKU	Box Dimension	Qty	Net Weight	Gross Weight
157055	16.73" x 11.41" x 8.54"	1 Pc/Box	5.8LBS	7.3LBS

### Application Image



### Warranty

This product is covered under a 5-year warranty. For complete warranty details, [Click Here.](#)