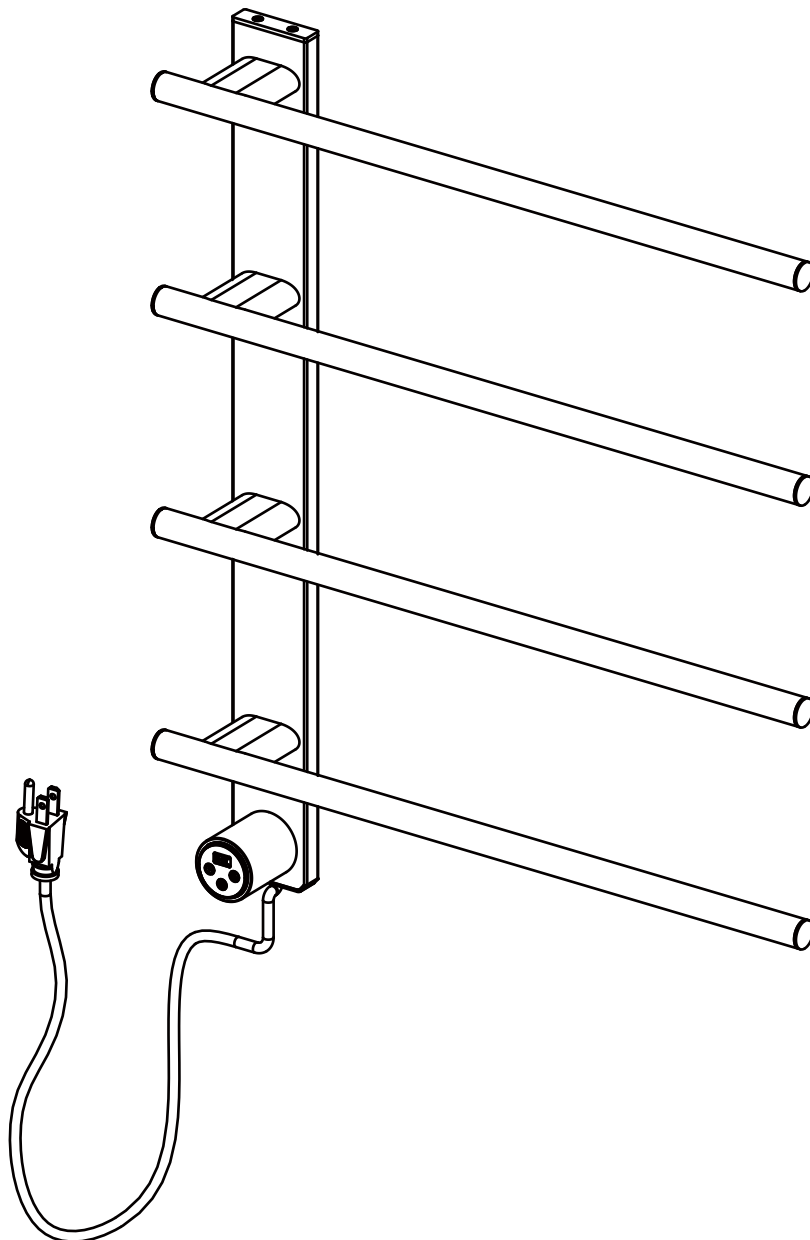

INTELLIGENT ELECTRIC TOWEL RACK

WALL-MOUNTED ELECTRIC TOWEL RACK

INSTRUCTION MANUAL



PLEASE READ THIS MANUAL CAREFULLY BEFORE INSTALLATION OR USE

DIRECTORY

Installation & Operation manual

Please read the installation and operation instructions carefully before use. and keep the instructions properly.

ABOUT THE PRODUCT

Product Information

PRODUCT INSTALLATION & MAINTENANCE INSTRUCTIONS

Installation Instructions
Installation Procedure

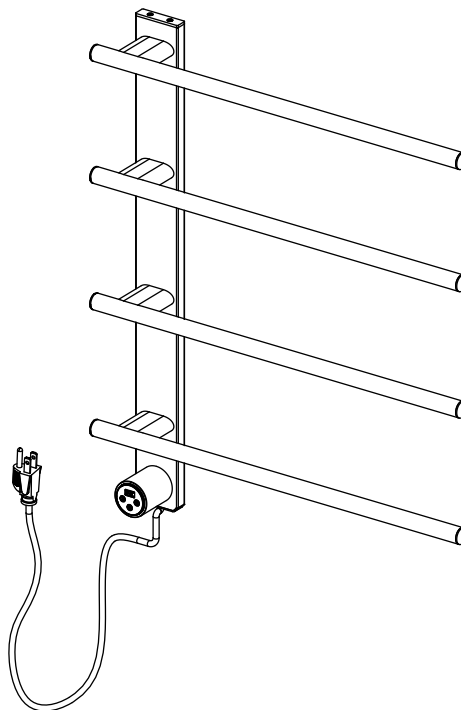
SMART SWITCH INSTRUCTIONS

INSTRUCTION MANUAL

In order for you to properly install and maintain this product, please read this installation manual carefully before you install:

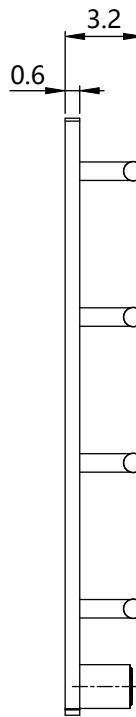
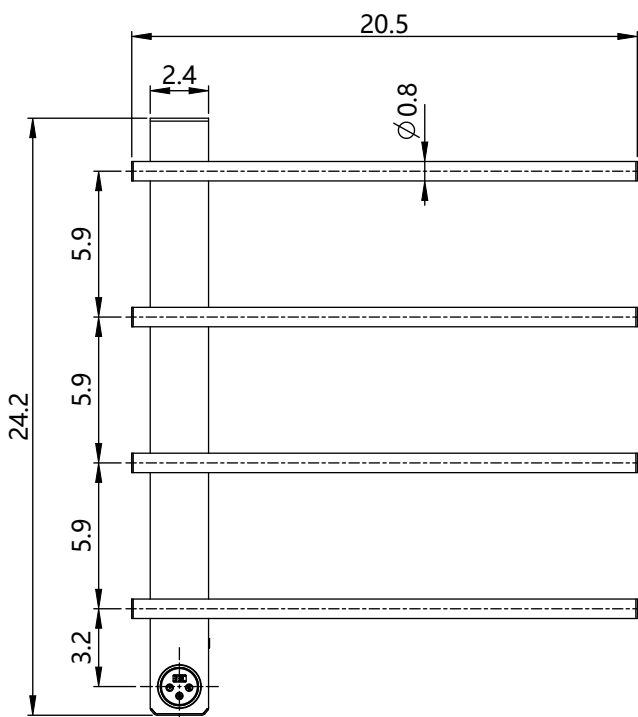
A Product Parameter:

Model	EB04-BR-242003
	EB04-BL-242003
	EB04-BG-242003
Frequency	50Hz
Rated Power	47W
Rated Voltage	AC110V
Heating Time	5-10min
Fahrenheit	115-145°F
Waterproof Grade	IPX4
Heating Mode	Carbon Fiber Heating
Installation Mode	Plug-in



B Dimensional Drawing:

Unit: inch



INSTRUCTION MANUAL

In order for you to properly install and maintain this product, please read this installation manual carefully before you install:

C Installation Steps:

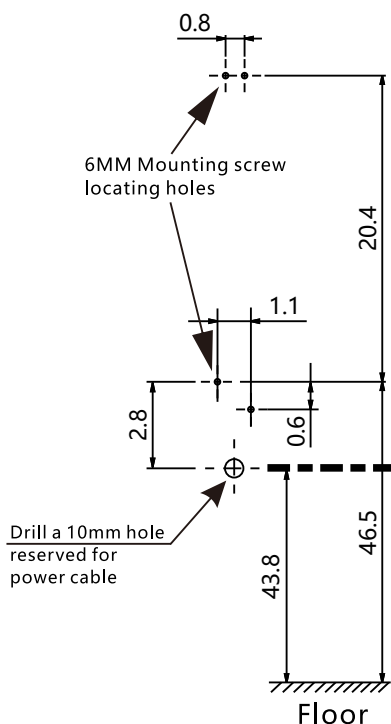
<p>① Drill four 6MM mounting screw locating holes on the wall at 46.5inches above the ground according to the location and size shown in the figure.</p> <p>Location of screw locating holes</p> <p>6MM Mounting screw locating holes</p> <p>Unit: inch</p> <p>Floor</p>	<p>② Then insert the expansion stick into the hole.</p> <p>Expansion stick</p>
<p>③ Then fix the upper and lower fixing piece close to the wall with self-tapping screws, press and adjust the level, and tighten the self-tapping screw, as shown.</p> <p>Upper fixing piece</p> <p>Self-tapping screw</p> <p>Expansion stick</p> <p>Lower fixing piece</p> <p>Secure the negative with self-tapping screw Fasten and press down</p>	<p>④ Clamp the upper and lower install card slot of the electric towel rack to the fixed negative that has been fixed on the wall and stick to the wall.</p> <p>Upper install slot</p> <p>Lower install slot</p>
<p>⑤ Then, align the two screw mounting holes on the towel rack with the upper two threaded holes on the fixed film, tighten and lock them with M4X10 countersunk screws, and fix them firmly; Use M5X10 screws to lock the fixed plate of the lower install card slot.</p> <p>M4X10 Countersunk screw</p> <p>Wall</p> <p>M5X10 Screw</p>	<p>⑥</p> <ol style="list-style-type: none"> 1. After completing the above steps, the entire product installation is finish; 2. Turn on the power, press the switch, test for 15-30 minutes; 3. Touch the bar careful, your hand should feel the bar slightly hot; 4. After 30-40 minutes, touch the bar again, and the temperature is stable , and no longer rising, product can be use careful; 5. Be sure to power off after the power-on test.

INSTRUCTION MANUAL

In order for you to properly install and maintain this product, please read this installation manual carefully before you install:

D Method of wiring of Hardwired:

Reserve power cables about 43.8 inches above the ground. Determine the hole positions on the wall and adjust the horizontal position.



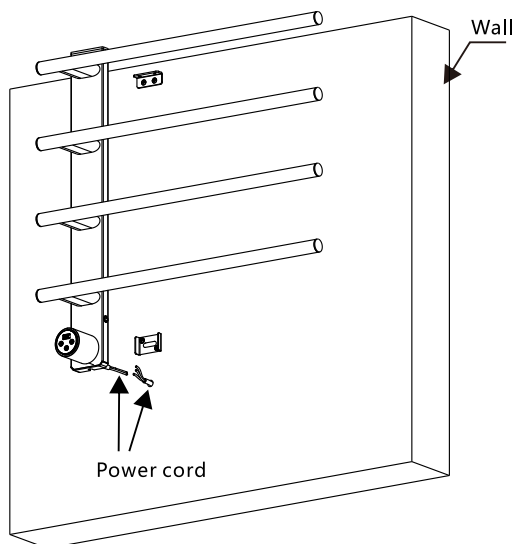
Hardwired Circuit Diagram
Reserve 86 switch bottom box and power control cable



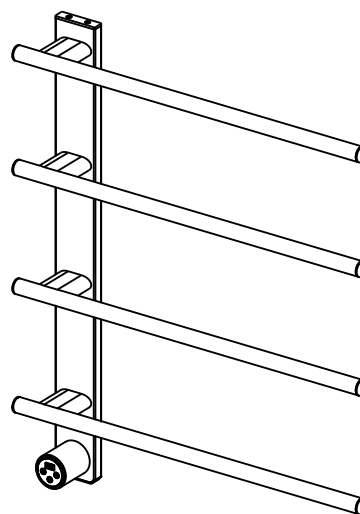
Power

Power cord

After connecting the power cord and the power reserve cable on the wall according to the positive and negative, insert the power cord into the base of the electric towel rack, and then clamp the hanging holes on the back of the product into the screws. (Then align the two screw mounting holes on the electric towel rack with the upper two threaded holes on the fixed negatives, tighten and lock them with M4X10 screws. It is the same as the suit). And close to the wall, lock.



Clamp the hanging hole on the back of the product into the screw, and close to the wall, pull down to lock.



1. After completing the above steps, the whole set of four-bar electric towel rack is installed;
2. Turn on the power, press the switch, power test for 15-30 minutes;
3. Touch the bar carefully, your hand should feel the bar slightly hot;
4. After 30-40 minutes, touch the cross bar again, and the temperature is stable and no longer rises, and the product can be used normally;
5. Be sure to power off after the power-on test.

INSTRUCTIONS FOR USE

【 1.Features of the Product】

It is mainly used for drying, moisture-proof, sterilization and odor elimination of towels, bath towels and clothes.

【 2.Fair use and safety precautions】

Do not use water or other liquid to clean the product directly, and do not allow any liquid to enter the product.

Do not expose the product to hot or humid environment.

! DANGEROUS

If the power cable is damaged, it must be repaired by professional maintenance personnel to avoid danger.

! DANGEROUS

1.It is installed in a particularly humid environment, in addition to the ground cable, it is necessary to install a leakage protection device, do not connect the ground cable to the water pipe and gas pipe.

2.The product please use a separate three-hole socket. do not use wet hands to plug the power plug to prevent electric shock, and to have a reliable grounding wire.

3.The product can bear 10 kilograms. It is forbidden to hang overweight items on the product.

4.Please do not disassemble or modify the product without permission. Please do not try to repair the product.

5.Children under 12 years old are forbidden to use this product.

【 3. AFTER SALE SERVICE】

This product from the date of purchase, the company within one year free maintenance (appearance is not within the scope of warranty), after one year maintenance charges for maintenance hours and other costs, but in the following circumstances, even within the warranty period, can not provide free maintenance.

1. In case of product failure, product manual and warranty card cannot be provided.

2.Failure caused by private disassembly, modification and maintenance.

3. Due to water or water use, impact, improper operation or illegal use of the fault.

4.Customer service contact E-mail:meilesjiancai@163.com.

【 4. DISCLAIMER OF LIABILITY】

Please strictly follow the installation steps and instructions of the product. If the user fails to use the product according to the instructions and instructions, the accident and damage will be caused The buyer shall bear the consequences.

【 5. CONTAINED IN THE PACKAGE】

Packing Parts List

Name	Expansion stick	M4 Self-tapping screw	AL344 Towel Rack	2.5 Hex key	Fastening screw	Gloves	Specification	Product Certificate	Warranty card
Quantity	4 pieces	4 pieces	1 set	1 piece	1 piece	1 pair	1 piece	1 piece	1 piece

SMART SWITCH INSTRUCTIONS

Power On

- The controller power buzzer rings long to enter the standby state: only the "on/off" key icon gradually brightens - dimming changes, other lights and digital tube are not bright.
- In the standby state, long press the temperature key for 5 seconds to switch Celsius "°C" ("°" is represented by decimal points, the same below), Fahrenheit "°F" (factory default display temperature is Celsius), the successful setting of the buzzer long sound, set the memory and close the digital tube display back to the standby state; In the future, corresponding operations are displayed in this Celsius or Fahrenheit standard.
- "K1" "On/Off" key: Long press for one second to start the machine (the buzzer sounds for 2 times, display the last set time, default last set temperature), long press again for one second to shut down the machine (the buzzer sounds for 1 second, turn off the heating, turn off the display, only the power supply blink slowly).

Timing

- "K2" "Set Time off" key: In the startup state, press the setting time (buzzer short sound 1) "1H" (the first digit is off) to "8H" cyclic display.

Constant temperature

- "K3" "Constant temperature Setting" key: press and set the constant temperature (buzzer short sound 1 time) "45°C" (Fahrenheit "115"), "50°C" (Fahrenheit "125"), "55°C" (Fahrenheit "135"), "60°C" (Fahrenheit "145") cycle setting; Press the power-on state for 1 second to switch to: real-time temperature/timing time alternately display, set the successful buzzer long sound.

Troubleshoot

-Please troubleshoot according to the display on the screen

EE	No probes were connected
E0	Temperatures below 0°C.
E1	Temperatures above 99°C

