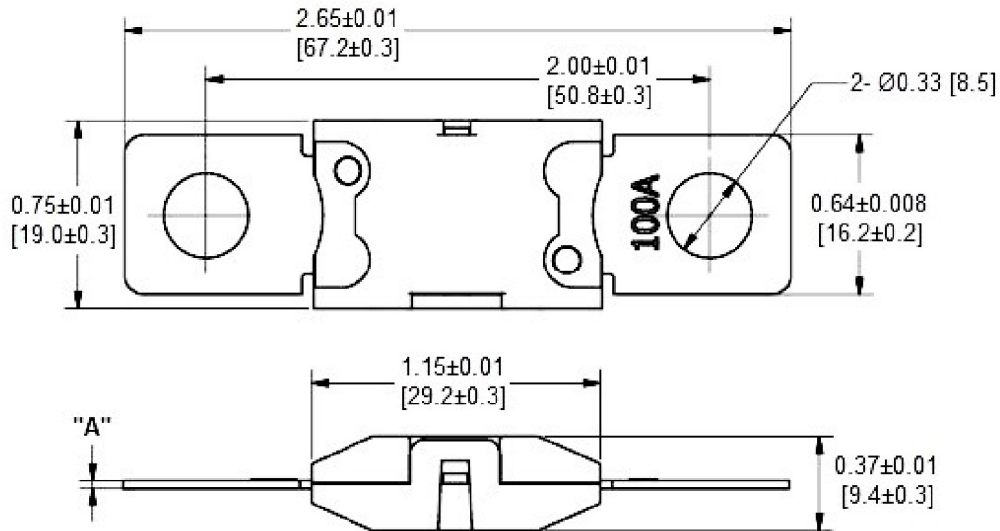


**Mechanical Dimensions: Inches [mm]**

Tolerances  $\pm 0.012$  [0.3] Unless Otherwise Specified



**Part Numbers Information**

Part Number	Amperage	Color	Terminal Thickness (Dim "A")	Voltage Drop(mV)	Nominal Cold Resistance (mΩ)	Minimum Melting I2t (A2 Sec.)
MGGA-100	100	Yellow	0.031" (0.8mm)	140	0.55	31100
MGGA-125	125	Green	0.031" (0.8mm)	130	0.43	57800
MGGA-150	150	Orange	0.031" (0.8mm)	110	0.35	100000
MGGA-175	175	White/Clear	0.031" (0.8mm)	110	0.27	168000
MGGA-200	200	Blue	0.031" (0.8mm)	110	0.26	204000
MGGA-225	225	Tan	0.039" (1.0mm)	110	0.23	257000
MGGA-250	250	Pink	0.039" (1.0mm)	110	0.19	389000
MGGA-300	300	Gray	0.039" (1.0mm)	80	0.22	513000

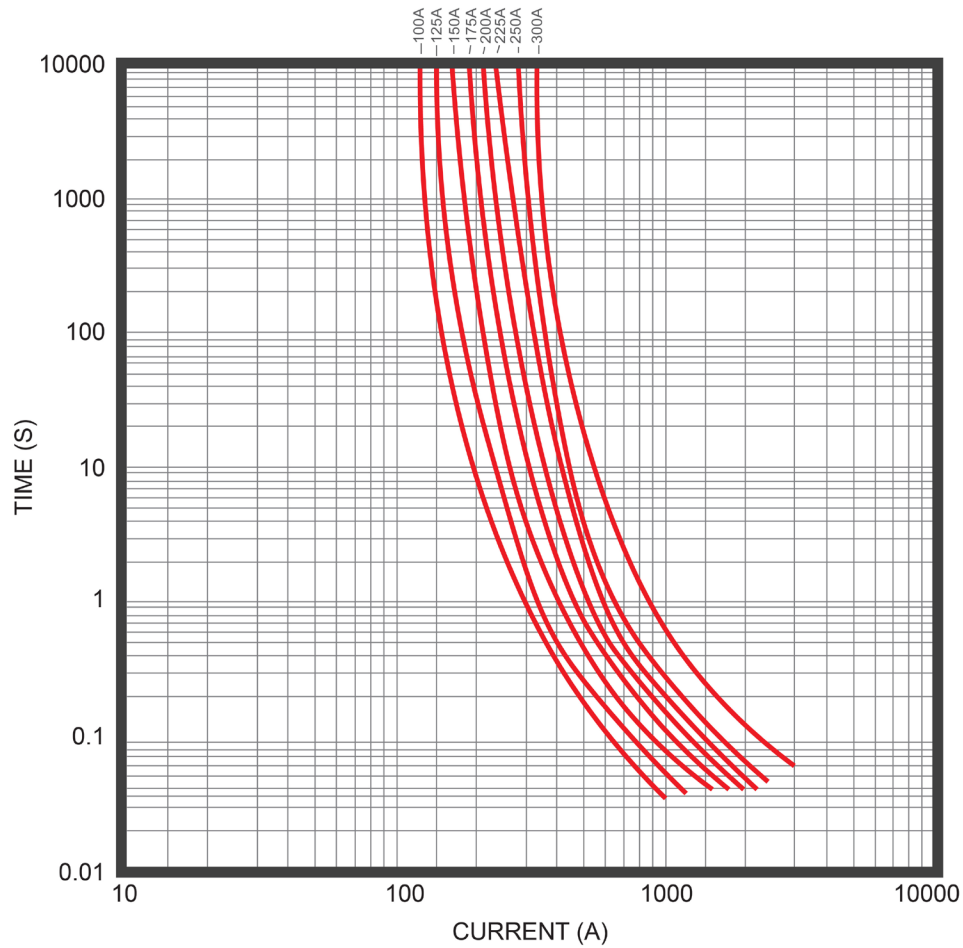
**Electrical Specifications**

Voltage Rating	32VDC
Interrupting Rating	1000A @ 32VDC
Operating Temperature	-40°C ~ 125°C

**Material Specifications**

Body Material	PES
Terminal Material	Copper Alloy, Tin Plated

Time-Current Curve



% of Rated Current	Opening Time			
	100A~250A		300A	
	Min	Max	Min	Max
75%	-	-	4hr	-
100%	4hr	-	-	-
135%	120s	1800s	-	-
200%	1s	15s	1s	15s
350%	300ms	5s	500ms	5s
600%	.1s	1s	-	-

\*Graphical data is for reference only. Product should be tested in all applications before use.

Rev Date of issue Revision Notes

Designed Approved

E	02-06-2026	Add Voltage Drop(mV)	RC	OF
---	------------	----------------------	----	----