



Operation and Maintenance Manual

106R Rocking Piston Oil-less Air Compressor



A UNIT OF IDEX CORPORATION

Dear Customer:

Thank you for purchasing this Gast product. It is manufactured to the highest standards using quality materials. Please follow all recommended maintenance, operational, and safety instructions and you will receive years of trouble free service.

! WARNING



PLEASE READ THIS MANUAL COMPLETELY BEFORE INSTALLING AND USING THIS PRODUCT.
SAVE THIS MANUAL FOR FUTURE REFERENCE AND KEEP IN THE VICINITY OF THE PRODUCT.

TABLE OF CONTENTS

Product Use, Criteria, and Purpose	3
Mounting	4
Plumbing	4
Accessories	4
Motor Control	4
Electrical Connection	4
Extension Cords	4
Operation	5
Start Up	5
Maintenance	6
Shut Down Procedures	6
Service Kit Installation	6
Parts and Ordering Information	8
Troubleshooting Chart	10
Warranty Policy	11

PRODUCT USE CRITERIA, AND PURPOSE

- Pump only clean, dry air.
- Operate at 32°F to 104°F (0°C to 40°C).
- Protect unit from dirt and moisture.
- Do not pump flammable or explosive gases or use in an atmosphere that contains such gases.
- Protect all surrounding items from exhaust air. This exhaust air can become very hot.
- Corrosive gases and particulate material will damage unit. Water vapor, oil-based contaminants, or other liquids must be filtered out.
- Consult your Gast Distributor/Representative before using at high altitudes.
- This pump is oil-less and requires NO lubrication.
- Compressor surfaces can become hot during operation. Do not touch.

Your safety and the safety of others is extremely important.

We have provided many important safety messages in this manual and on your product. Always read and obey safety messages.



This is the safety alert symbol. This symbol alerts you to hazards that can kill or hurt you and others. The safety alert symbol and the words “DANGER” and “WARNING” will precede all safety messages. These words mean:

DANGER

You will be killed or seriously injured if you don't follow instructions.

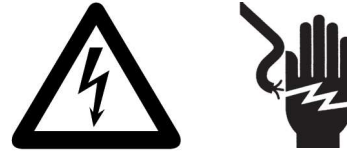
WARNING

You can be killed or seriously injured if you don't follow instructions.

All safety messages will identify the hazard, tell you how to reduce the chance of injury, and tell you what can happen if the safety instructions are not followed.

INSTALLATION

WARNING



Electrical Shock Hazard

Disconnect electrical power at the circuit breaker or fuse box before installing this product.

Install this product where it will not encounter water or other liquids.

Install this product where it will be weather protected.

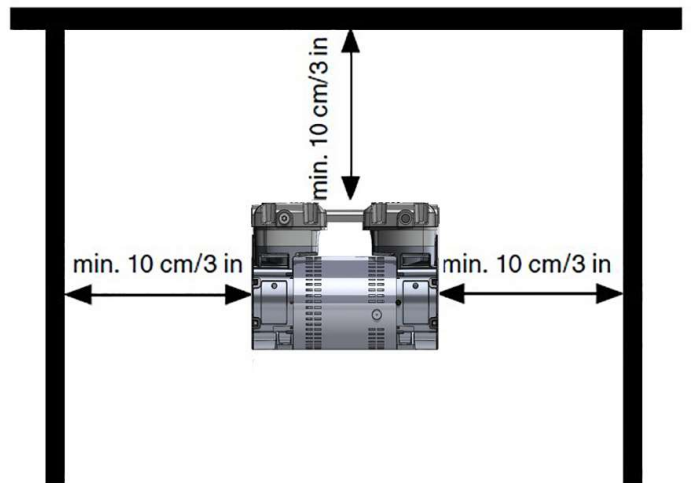
Electrically ground this product.

Failure to follow these instructions can result in death, fire, or electrical shock.

Correct installation is your responsibility. Make sure you have the proper installation conditions and that installation clearances do not block air flow.

WARNING

Blocking air flow over the product in any way can cause the product to overheat.



MOUNTING

This product can be installed on a horizontal surface. Mounting the product to a stable, rigid operating surface and using supplied shock mounts will reduce noise and vibration. This product is provided with vibration mounts and adjustable mounting foot. To adjust mounting pattern, loosen vibration mounts to and slide mounting bracket to desired location. Secure vibration mounts to body and mounting bracket before attaching compressor to application.

WARNING

Compressor and vacuum pumps with AC induction motors have a starting current higher than normal operating current.

The duration of the starting current is defined by the operating environment, the pneumatic load, voltage applied at the motor, and connection plumbing.

Diaphragm and Rocking Piston technologies must be started and allowed to reach running speed before pneumatic load is applied. Starting current, voltage, pneumatic load, connection plumbing, and environmental conditions must be evaluated by the customer in the end use system.

Diaphragm and Rocking Piston units will not start under a load because the valves, diaphragm, and rocking piston cup seal do not allow for the head pressure to relieve. A sufficient volume of air at zero pressure differential must be provided to start the unit repeatably. Bleed orifices, relief valves, oversized plumbing, and biased valves are common methods of ensuring zero pressure differential volume of air is provided to the pump allowing it to reach running speeds.

In systems where storage of built-up pressure is utilized, check valves should be installed between any pump and the system.

In all instances, please consult GAST Manufacturing Technical Assistance for proper operation of pumps and compressors.

PLUMBING

Remove plugs from the IN and OUT ports. Connect with pipe and fittings that are the same size or larger than the product's threaded ports. Be sure to connect the intake and exhaust plumbing to the correct inlet and outlet ports. Ports will not support plumbing.

ACCESSORIES

The product's external intake and exhaust muffler will provide adequate filtration in most applications. Check filters periodically and replace when necessary. Consult your Gast Distributor/ Representative for additional filter recommendations.

Install relief valves and gauges at inlet or outlet or both, to monitor performance. Check valves may be required to prevent back streaming through the pump.

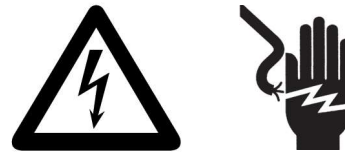
MOTOR CONTROL

It is your responsibility to contact a qualified electrician and assure that the electrical installation is adequate and in conformance with all national and local codes and ordinances. The metal capacitor must be grounded.

Determine the correct overload setting required to protect the motor (see motor starter manufacturer's recommendations). Select fuses, motor protective switches or thermal protective switches to provide protection. Fuses act as short circuit protection for the motor, not as protection against overload. Incoming line fuses must be able to withstand the motor's starting current. Motor starters with thermal magnetic overload or circuit breakers protect motor from overload or reduced voltage conditions.

The wiring diagram supplied with the product provides required electrical information. Check that power source is correct to properly operate the dual-voltage motors.

WARNING



Electrical Shock Hazard

This product must be properly grounded.

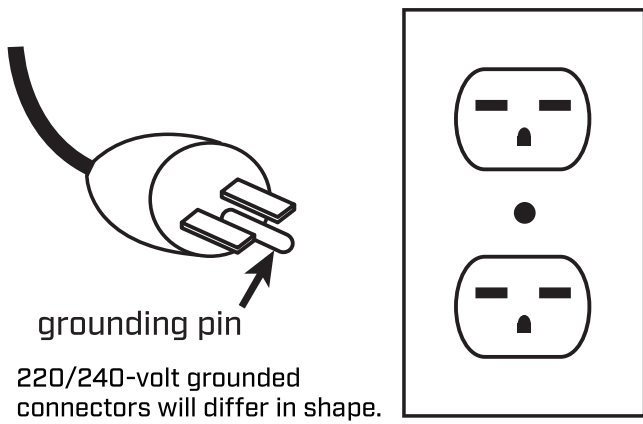
Do not modify the plug provided. If it will not fit the outlet, have the proper outlet installed by a qualified electrician.

If repair or replacement of the cord or plug is necessary, do not connect the grounding wire to either flat blade terminal. The wire with insulation that is green or green with yellow stripes is the grounding wire.

Check the condition of the power supply wiring.

Do not permanently connect this product to wiring that is not in good condition or is inadequate for the requirements of this product.

Failure to follow these instructions can result in death, fire, or electrical shock.



grounding pin
220/240-volt grounded connectors will differ in shape.

for length required and the ampere rating listed on the product nameplate. **If in doubt, use the next heavier gage cord. The smaller the gage number, the heavier the wire gage.**

Minimum gage for extension cords

Amps	Volts	Length of cord in feet								
	240v	50	100	200	300	400	500	600	800	1000
0-2		18	18	18	16	16	14	14	12	12
2-3		18	18	16	14	14	12	12	10	10
3-4		18	18	16	14	12	12	10	10	8
4-5		18	18	14	12	12	10	10	8	8
5-6		18	16	14	12	10	10	8	8	8
6-8		18	16	12	10	10	8	6	6	6
8-10		18	14	12	10	8	8	6	6	4
10-12		16	14	10	8	8	6	6	4	4
12-14		16	12	10	8	6	6	6	4	2
14-16		16	12	10	8	6	6	4	4	2
16-18		14	12	8	8	6	4	4	2	2
18-20		14	12	8	6	6	4	4	2	2

Model with a Power Supply Cord

This product must be grounded. For 220/240-volt circuits connect power supply cord grounding plug to a matching grounded outlet. Do not use an adapter. (See above diagram.)

In the event of an electrical short circuit, grounding reduces the risk of electric shock by providing an escape wire for the electric current. This product may be equipped with a power supply cord having a grounding wire with an appropriate grounding plug.

The plug must be plugged into an outlet that is properly installed and grounded in accordance with all local codes and ordinances

Check with a qualified electrician or serviceman if the grounding instructions are not completely understood, or if you are not sure whether the product is properly grounded. Do not modify the plug provided. If it will not fit the outlet, have the proper outlet installed by a qualified electrician.

Model that is Permanently Wired

This product must be connected to a grounded, metallic, permanent wiring system, or an equipment grounding terminal or lead on the product.

Power supply wiring must conform to all required safety codes and be installed by a qualified person. Check that supply voltage agrees with that listed on product nameplate.

Extension Cords

Use only a 3-wire extension cord that has a 3-blade grounding plug. Connect extension cord plug to a matching 3-slot receptacle. Do not use an adapter. Make sure your extension cord is in good condition. Check that the gage wire of the extension cord is the correct size wire to carry the current this product will draw.

An undersized cord is a potential fire hazard and will cause a drop in line voltage resulting in loss of power causing the product to overheat. The following table indicates the correct size cord

OPERATION

WARNING

Injury Hazard


- Install proper safety guards as needed.**
- Keep fingers and objects away from openings and rotating parts.**
- When provided, motor terminal covers must be in place for safe operation.**
- Product surfaces become very hot during operation, allow product surfaces to cool before handling.**
- Air stream from the product may contain solid or liquid material that can result in eye or skin damage, wear proper eye protection.**
- Wear hearing protection. Sound level from motor may exceed 70 dBA.**
- Failure to follow these instructions can result in burns, eye injury, or other serious injury.**


It is your responsibility to operate this product at recommended pressures or vacuum duties and room ambient temperatures. **Do not start against a vacuum or pressure load.**

Start Up

If motor fails to start or slows down significantly under load, shut off and disconnect from power supply. Check that the voltage is correct for motor and that motor is turning in the proper direction. Check the plug, cord and switch for damage. If so equipped, the thermal protection switch has tripped, the motor can restart after cooling.

MAINTENANCE


WARNING




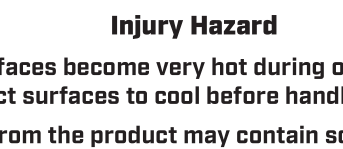
Electrical Shock Hazard

Disconnect electrical power supply before performing maintenance on this product.

If product is hard-wired into system, disconnect electrical power at the circuit breaker or fuse box before performing maintenance on this product.

Failure to follow these instructions can result in death, fire, or electrical shock.


WARNING



Injury Hazard

Product surfaces become very hot during operation, allow product surfaces to cool before handling.

Air stream from the product may contain solid or liquid material that can result in eye or skin damage, wear proper eye protection.

Clean this product in a well-ventilated area.

Failure to follow these instructions can result in burns, eye injury, or other serious injury.

It is your responsibility to:

- **Regularly inspect and make necessary repairs to product in order to maintain proper operation.**
- **Make sure that pressure is released from product before starting maintenance.**

Check intake and exhaust filters after first 500 hours of operation. Clean filters and determine how frequently filters should be checked during future operation. This one procedure will help to assure the product's performance and service life.

1. Disconnect electrical power supply to unit.
2. Vent all air lines.
3. Remove filter cover.
4. Check filter element. Replace filter if element is covered with contamination or shows signs of increasing differential pressure.
5. Reinstall filter element and filter cover.

Check that all external accessories such as relief valves and gauges are attached to cover and are not damaged before re-operating product.


SHUT DOWN

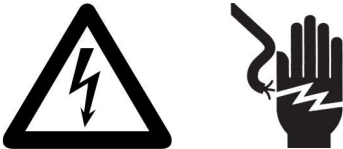
It is your responsibility to follow proper shutdown procedures to prevent product damage. NEVER ADD OIL TO THIS OIL-LESS PUMP.

Proper shutdown procedures must be followed to prevent pump damage. Failure to do so may result in premature pump failure. Gast Manufacturing Rocking Piston Oil-Less Pumps are constructed of ferrous metals or aluminum which are subject to rust and corrosion when pumping condensable vapors such as water. Follow the steps below to assure correct storage and shutdown between operating periods.

1. Disconnect plumbing.
2. Operate product for at least five minutes without plumbing.
3. Run at maximum vacuum for 10 to 15 minutes.
4. Repeat step 2.
5. Disconnect power supply.
6. Plug open ports to prevent dirt or other contaminants from entering product.

SERVICE KIT INSTALLATION


WARNING



Electrical Shock Hazard

Disconnect electrical power supply before performing maintenance on this product.

If product is hard-wired into system, disconnect electrical power at the circuit breaker or fuse box before performing maintenance on this product.

Vent all air lines to release pressure or vacuum.

Failure to follow these instructions can result in death, fire, or electrical shock.

Gast will NOT guarantee field-rebuilt product performance. For performance guarantee, the product must be returned to a Gast Authorized Service Facility.

Gast offers the following Service Kits for the 106R compressor.

Description	Kit Number	Service Interval
106R Preventative Maintenance Kit	K1038	2000 hours or one year
106R6 Service Kit - Low Pressure	K1039	6000 hours or five years
106R5 Service Kit - High Pressure	K1040	6000 hours or five years
106R Capacitor Replacement Kit	K1041	Five years
106R Capacitor Cover	K1042	As needed
106R Spare Parts	K1043	As needed
106R Retrofit Parts for OF302/OF312	K1044	As needed

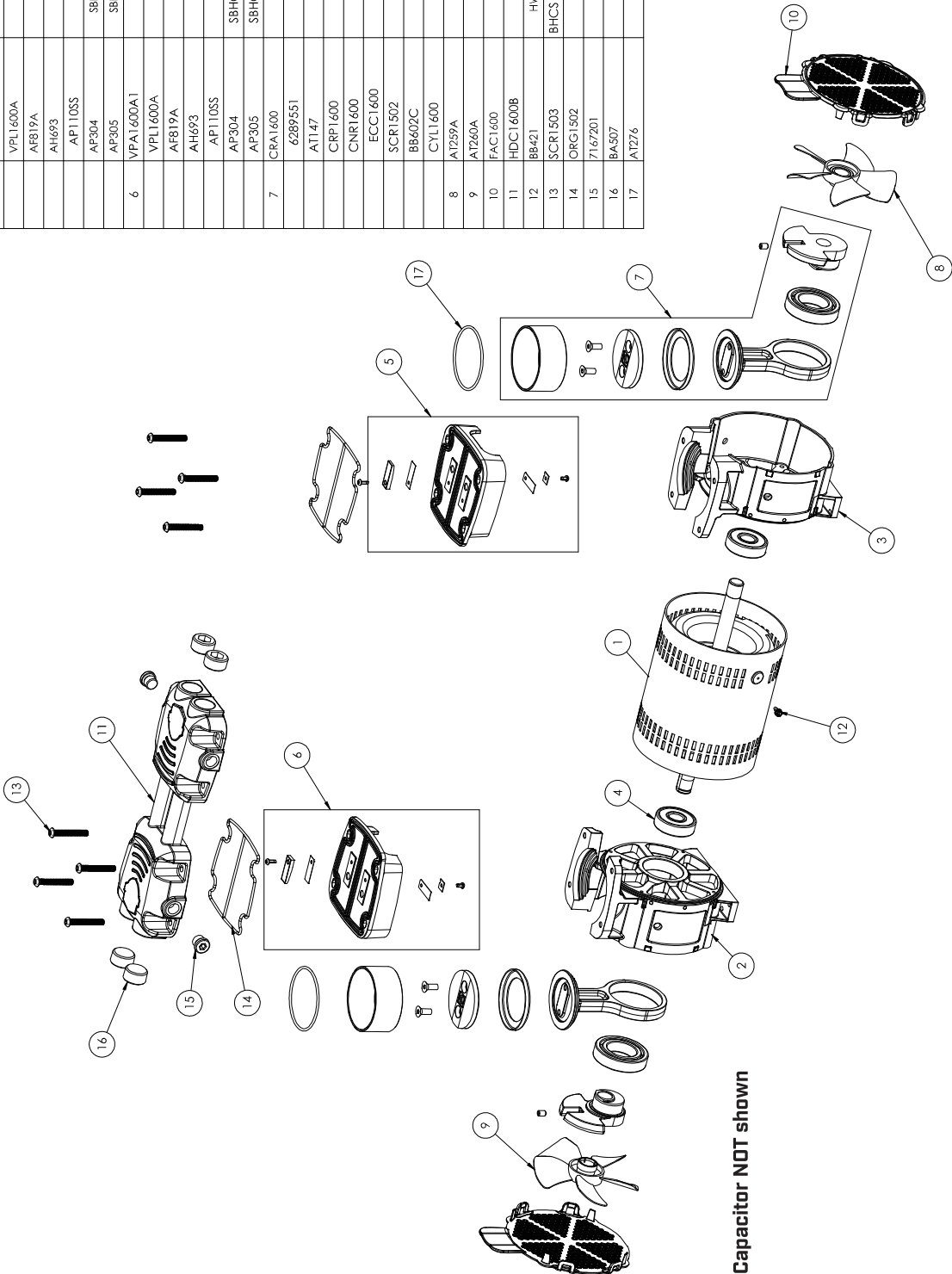
1. Disconnect electrical power to pump.
2. Disconnect air supply and vent all air lines to release pressure or vacuum.
3. Consult individual kit instruction to install components

Check that all external accessories such as relief valves and gauges are not damaged before operating product.

If pump still does not produce proper vacuum or pressure, send unit to a Gast Authorized Service Facility for repair.

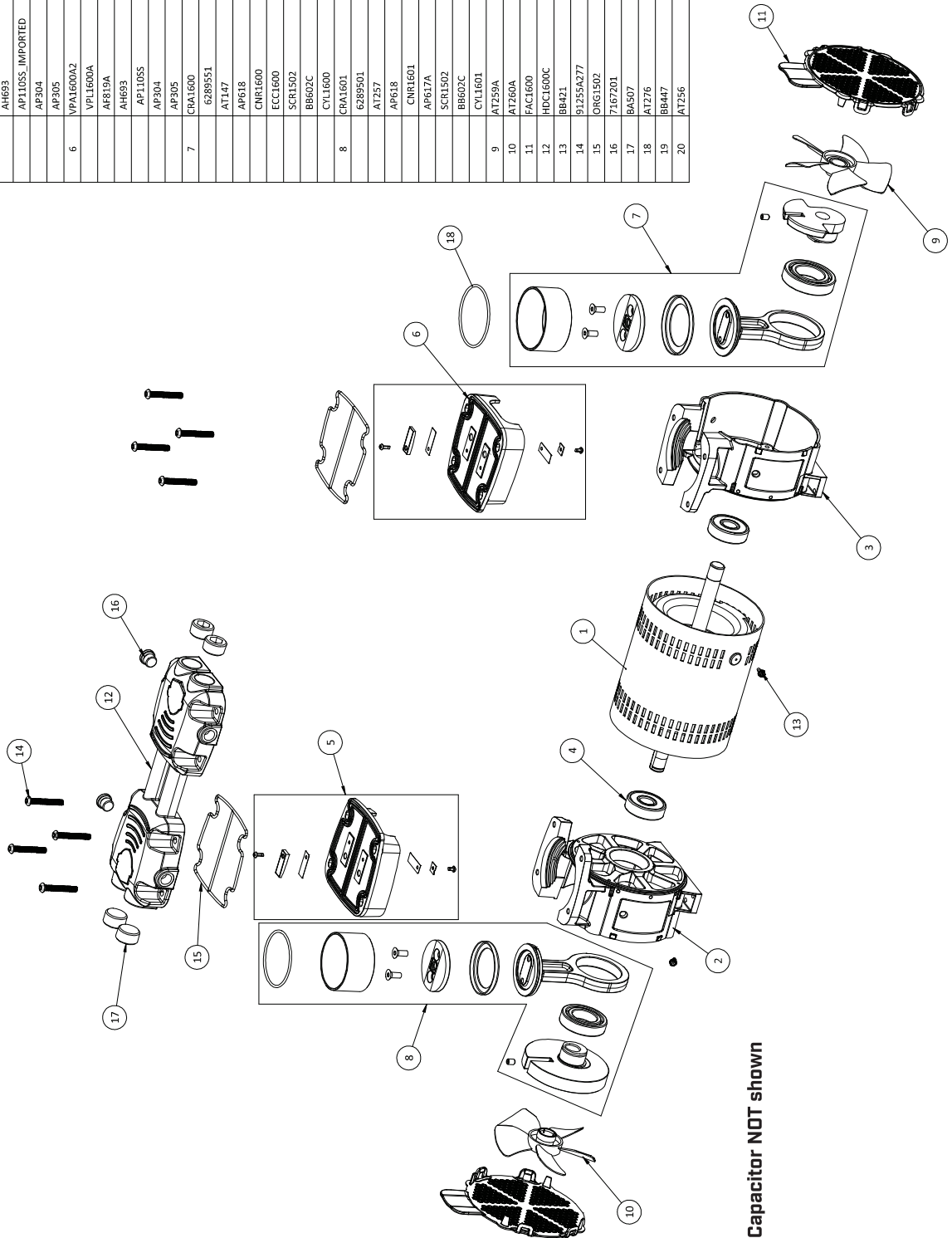
EXPLODED PRODUCT VIEW - 106R6 Parallel Configuration

ITEM NO.	PART NUMBER	DESCRIPTION	QTY.
1	N600X	MOTOR ASM.	1
	STATOR (N600X)		1
	ROTOR (N600X)		1
2	BDY1600A	BODY, TAPPED	1
3	BDY1600B	BODY, THRU	1
4	AT816A	BEARING	2
5	VPA1600A2	VALVE PLATE ASM.	1
	VPL1600A	VALVE PLATE, SINGLE PORTS	1
	AF819A	VALVE RETAINER	1
	AH693	LEAF VALVE	2
	AP110SS	VALVE LIMITER-SS	1
	AP304	SBHCS #6-32 X .25 THD ROLLING TORX	1
	AP305	SBHCS #6-32 X .38 THD ROLLING TORX	1
6	VPA1600A1	VALVE PLATE ASM.	1
	VPL1600A	VALVE PLATE	1
	AF819A	VALVE RETAINER	1
	AH693	LEAF VALVE	2
	AP110SS	VALVE LIMITER-SS	1
	AP304	SBHCS #6-32 X .25 THD ROLLING TORX	1
	AP305	SBHCS #6-32 X .38 THD ROLLING TORX	1
7	CRA1600	ROD ASSEMBLY	2
	6289551	CUP	1
	AT147	BEARING	1
	CRP1600	RETAINER	1
	CNR1600	CONNECTING ROD	1
	ECCT1600	ECCENTRIC	1
	SCR1502	SFHCS	2
	BB602C	SET SCREW 1/4-20 X .38	1
	CYL1600	CYLINDER	1
8	AT299A	FAN	1
9	AT260A	FAN	1
10	FACT1600	FAN COVER	2
11	HDC1600B	HEAD	1
12	BB421	HVHS #8-32 X .38 SEWS SELF TAPPING	1
13	SCR1503	BHCS - # 10-32 X 1 3/4" LONG (HEX DRIVE)	8
14	ORG1502	O-RING	2
15	7167201	1/4 PLUG WITH O-RING	2
16	BA507	PIPE PLUG 3/4 NPT	4
17	AT276	O-RING	2



EXPLODED PRODUCT VIEW - 106R5 Staged Configuration

ITEM NO.	PART NUMBER	DESCRIPTION	QTY.
1	M600X	MOTOR ASM.	1
	STATOR (M600NX)		
	ROTOR (M600NX)		
2	BDY1600A	BODY, TAPPED	1
3	BDY1600B	BODY, THRU	4
4	AT816A	BEARING	2
5	VPA1600B2	VALVE PLATE ASM.	1
	VPL1600B	VALVE PLATE, SINGLE, PORTS (2.50 CYL)	
	AR819A	VALVE RETAINER	
	AH693	LEAF VALVE	1
	AP110SS_IMPORTED	VALVE LIMITER-SS	2
	AP304	LEAF VALVE	1
	AP305	SBHCS #6-32 X .25 THD ROLLING TORX	1
	AP305	SBHCS #6-32 X .38 THD ROLLING TORX	1
6	VPA1600A2	VALVE PLATE ASM.	1
	VPL1600A	VALVE PLATE	
	AR819A	VALVE RETAINER	
	AH693	LEAF VALVE	2
	AP110SS	VALVE LIMITER-SS	1
	AP304	SBHCS #6-32 X .25 THD ROLLING TORX	1
	AP305	SBHCS #6-32 X .38 THD ROLLING TORX	1
7	CRA1600	ROD ASSEMBLY	1
	6289551	CUP	
	AT147	BEARING	1
	AP618	RETAINER	1
	CNR1600	CONNECTING ROD	1
	ECC1600	ECCENTRIC	1
	SCR1502	SFHCS	2
	BB602C	SET SCREW 1/4-20 X .38	1
	CYL1600	CYLINDER	1
8	CRA1601	CONN. ROD ASSEMBLY	1
	6289501	CUP	
	AT257	BEARING	1
	AP618	RETAINER	1
	CNR1601	CONNECTING ROD	1
	AP617A	ECCENTRIC	1
	SCR1502	SFHCS	2
	BB602C	SET SCREW 1/4-20 X .38	1
	CYL1601	CYLINDER	1
9	AT259A	FAN	1
10	AT260A	FAN	1
11	FAC1600	FAN COVER	2
12	HDC1600C	HEAD	1
13	BB421	HWHS #6-32 X .38 SEMS SELF TAPPING	1
14	91255A277	BHCS - #10-32 X 1 3/4" LONG	8
15	ORG1502	O-RING	2
16	7167201	1/4 PLUG WITH O-RING	2
17	BA507	PIPE PLUG 3/4 NPT	4
18	AT276	O-RING	1
19	BB447	HFHS #6-32 X .38 SELF TAPPING	1
20	AT256	O-RING	1



Capacitor NOT shown

WARRANTY

Gast finished products, when properly installed and operated under normal conditions of use, are warranted by Gast to be free from defects in material and workmanship for a period of twelve (12) months from the date of purchase from Gast or an authorized Gast Representative or Distributor. In order to obtain performance under this warranty, the buyer must promptly (in no event later than thirty (30) days after discovery of the defect) give written notice of the defect to Gast Manufacturing Incorporated, PO Box 97, Benton Harbor Michigan USA 49023-0097 or an authorized Service Center (unless specifically agreed upon in writing signed by both parties or specified in writing as part of a Gast OEM Quotation). Buyer is responsible for freight charges both to and from Gast in all cases.

This warranty does not apply to electric motors, electrical controls, and gasoline engines not supplied by Gast. Gast's warranties also do not extend to any goods or parts which have been subjected to misuse, lack of maintenance, neglect, damage by accident or transit damage.

THIS EXPRESS WARRANTY EXCLUDES ALL OTHER WARRANTIES OR REPRESENTATIONS EXPRESSED OR IMPLIED BY ANY LITERATURE, DATA, OR PERSON. GAST'S MAXIMUM LIABILITY UNDER THIS EXCLUSIVE REMEDY SHALL NEVER EXCEED THE COST OF THE SUBJECT PRODUCT AND GAST RESERVES THE RIGHT, AT ITS SOLE DISCRETION, TO REFUND THE PURCHASE PRICE IN LIEU OF REPAIR OR REPLACEMENT.

GAST WILL NOT BE RESPONSIBLE OR LIABLE FOR INDIRECT OR CONSEQUENTIAL DAMAGES OF ANY KIND, however arising, including but not limited to those for use of any products, loss of time, inconvenience, lost profit, labor charges, or other incidental or consequential damages with respect to persons, business, or property, whether as a result of breach of warranty, negligence or otherwise. Notwithstanding any other provision of this warranty, BUYER'S REMEDY AGAINST GAST FOR GOODS SUPPLIED OR FOR NON-DELIVERED GOODS OR FAILURE TO FURNISH GOODS, WHETHER OR NOT BASED ON NEGLIGENCE, STRICT LIABILITY OR BREACH OF EXPRESS OR IMPLIED WARRANTY IS LIMITED SOLELY, AT GAST'S OPTION, TO REPLACEMENT OF OR CURE OF SUCH NONCONFORMING OR NON-DELIVERED GOODS OR RETURN OF THE PURCHASE PRICE FOR SUCH GOODS AND IN NO EVENTS SHALL EXCEED THE PRICE OR CHARGE FOR SUCH GOODS. GAST EXPRESSLY DISCLAIMS ANY WARRANTY OF MERCHANTABILITY OR FITNESS FOR A PARTICULAR USE OR PURPOSE WITH RESPECT TO THE GOODS SOLD. THERE ARE NO WARRANTIES WHICH EXTEND BEYOND THE DESCRIPTIONS SET FORTH IN THIS WARRANTY, notwithstanding any knowledge of Gast regarding the use or uses intended to be made of goods, proposed changes or additions to goods, or any assistance or suggestions that may have been made by Gast personnel.

Unauthorized extensions of warranties by the customer shall remain the customer's responsibility.

CUSTOMER IS RESPONSIBLE FOR DETERMINING THE SUITABILITY OF GAST PRODUCTS FOR CUSTOMER'S USE OR RESALE, OR FOR INCORPORATING THEM INTO OBJECTS OR APPLICATIONS WHICH CUSTOMER DESIGNS, ASSEMBLES, CONSTRUCTS OR MANUFACTURES.

This warranty can be modified only by authorized Gast personnel by signing a specific, written description of any modifications.

Gast Manufacturing

2300 M139 Highway
Benton Harbor, MI
49023
Ph: 269-926-6171
Fax: 269-927-0808

Gast Group Ltd.

Gast Jun-Air Europe B.V
Hengelderweg 24
NL-6942 NB, Didam
The Netherlands
Phone +44(0)1527 504040

IDEX Technology (Suzhou) Co., Ltd

No.51 TangBang Road
CaoHu Boulevard
Xiang Cheng District
Suzhou, China 215131
Phone (86) 512 6283 3000



A UNIT OF IDEX CORPORATION

www.gastmfg.com