

# KT-LED14.5T8-48G-840-D2 /G2

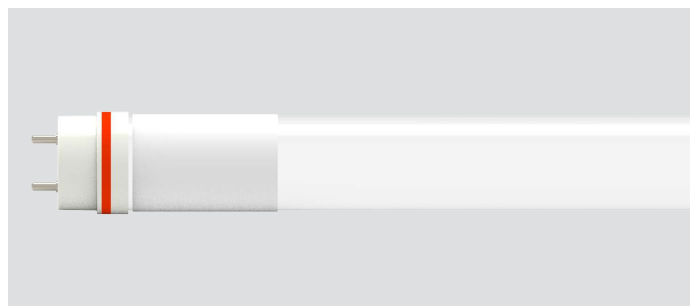
## T8 LED LAMP

### DESCRIPTION

14.5W LED T8 Tube | 4000K | > 80 CRI | High-Efficiency



<b>LAMP TYPE:</b> Linear
<b>BULB TYPE:</b> T8
<b>BASE TYPE:</b> G13 (Medium Bi-Pin)
<b>WATTAGE:</b> 14.5W
<b>COLOR TEMPERATURE:</b> 4000K
<b>COLOR RENDERING INDEX (CRI):</b> > 80
<b>WARRANTY:</b> 5 Years



### PRODUCT FEATURES

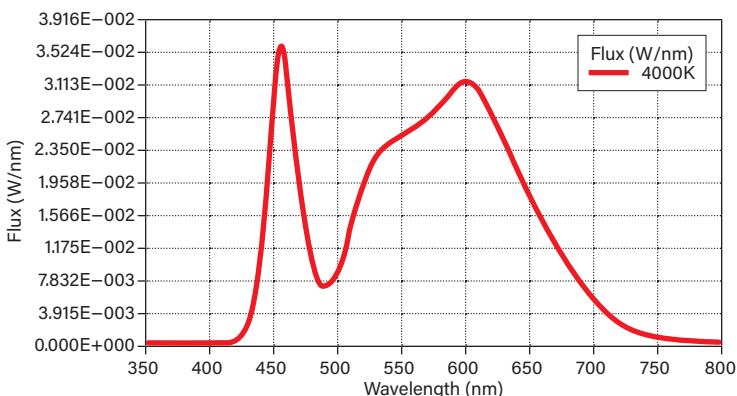
- Replacement for conventional fluorescent lamp
- Double-ended wiring
- 50,000+ hour lifetime
- Approximately 60% more energy efficient than standard F32T8 lamps
- Environmentally friendly: No mercury used
- Instant startup
- DLC Listed
- Frosted glass lens eliminates pixelation
- UL Classified
- Operating temperature: -20°C/-4°F to 45°C/113°F
- Storage temperature: -30°C/-22°F to 60°C/140°F
- Operating humidity: 10-80%
- Integral driver (isolated), eliminates the need for external driver or ballast
- 120+ lumens per watt
- Not compatible with Keystone AC Emergency Drivers: KT-EMRG-LED-5-500-AC, KT-EMRG-LED-5-500-AC/DF, KT-EMRG-LED-12-1200-AC, or KT-EMRG-LED-12-1200-AC /DF
- Meets FCC Part 15, Part B
- Not rated for use in Vapor Tight style fixtures
- Lamp is dimmable when used with an appropriate dimming accessory (purchased separately). Contact Keystone for more details to find out what is best for the intended application

### PERFORMANCE SPECIFICATIONS

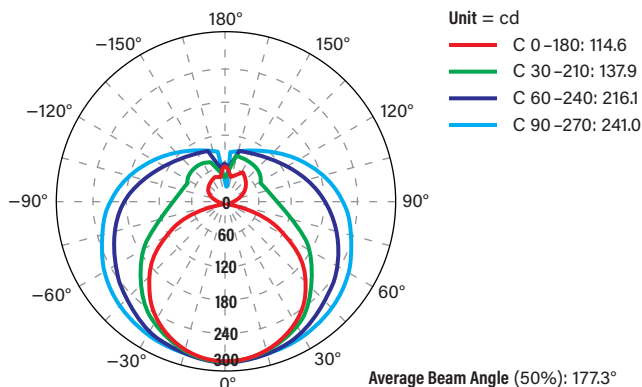
Catalog Number	Input Voltage	Wattage	Color Temperature	Lumen Output	Efficacy	CRI	Beam Angle	Visibel Light Area	Power Factor	THD	Input Current	Life Time
KT-LED14.5T8-48G-840-D2 /G2	120-277V	14.5W	4000K	1800	124 lm/W	> 80	240°	325°	> 0.9	> 20%	120mA @120V 52mA @277V	50,000 hrs

### PHOTOMETRIC SPECIFICATIONS

#### SPECTRAL DISTRIBUTION



#### POLAR CANDELA DISTRIBUTION

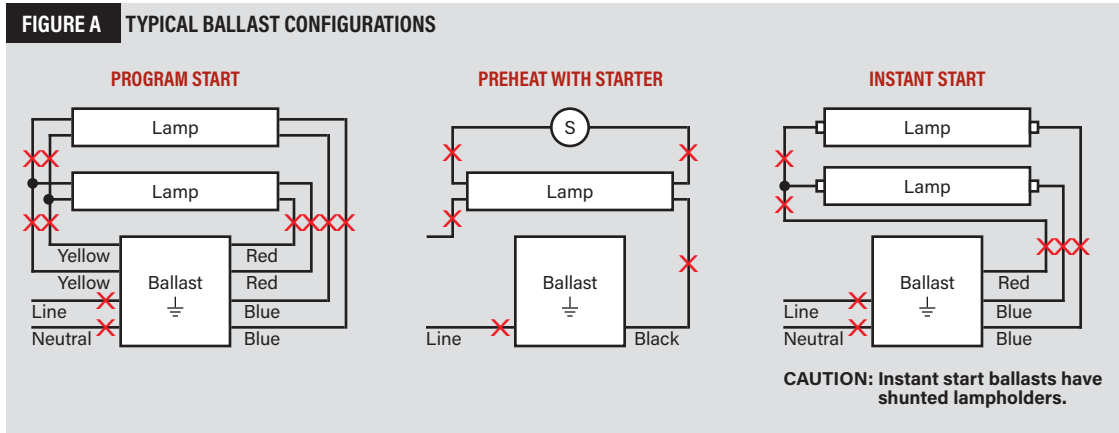


# KT-LED14.5T8-48G-840-D2 /G2

## T8 LED LAMP

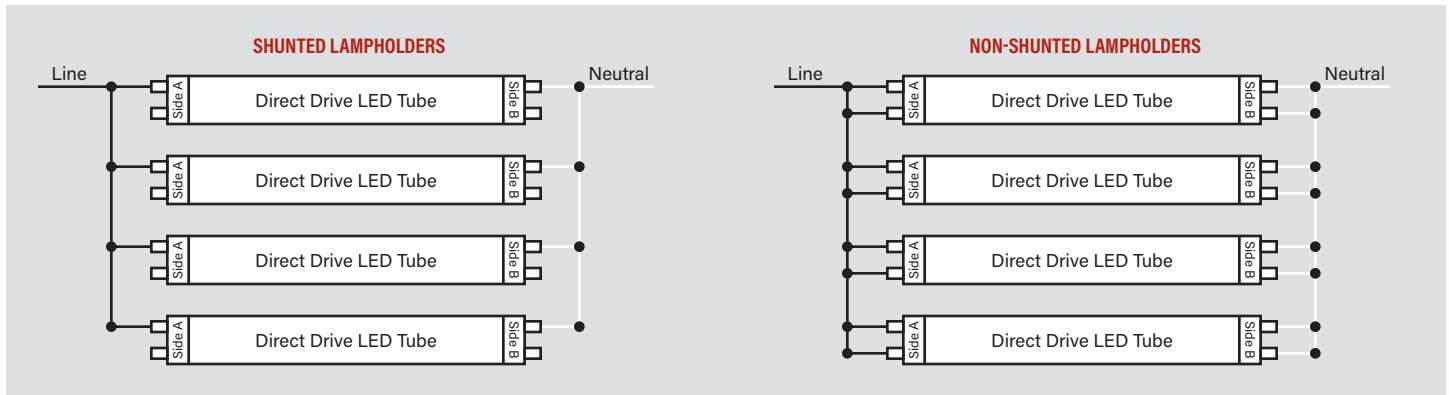
### WIRING DIAGRAMS

1. Cut all existing connections to ballast as shown below and remove ballast. See Figure A for typical ballast configurations.



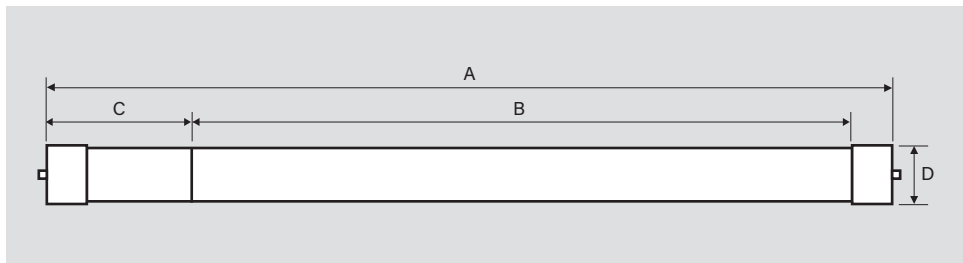
2. Re-wire fixture as shown below. For double-ended wiring, use either shunted or nonshunted lampholders.

**NOTE: There should not be any exposed wires at the end of installation.**



**WARNING Not Compatible with Keystone AC Emergency Backups**

### PHYSICAL CHARACTERISTICS



**LAMP DIMENSIONS**

A (Body Length)	47.20"
B (Illuminated Length)	44.00"
C (End Cap/Sticker Area)	2.25"
D (Diameter)	1.10"

**NOMINAL LENGTH: 48"**

**BASE TYPE: G13 (Medium Bi-Pin)**



# KT-LED14.5T8-48G-840-D2 /G2

## T8 LED LAMP

**ORDERING INFORMATION**

ORDER CODE	CARTON QUANTITY	UPC	EASY CODE	DLC PRODUCT ID
KT-LED14.5T8-48G-840-D2 /G2	25	843654148632	HRI-40	S-KSEWQJ

**CATALOG NUMBER BREAKDOWN**

# KT-LED14.5T8-48G-840-D2 /G2

- 1
- 2
- 3
- 4
- 5
- 6
- 7
- 8
- 9
- 10

- 1** Keystone Technologies
- 2** LED Lamp
- 3** Wattage
- 4** Lamp Type
- 5** Nominal Length (Inches)
- 6** Glass Construction
- 7** CRI
- 8** Color Temperature
- 9** Double-Ended Wiring
- 10** Second Generation