

Type BLC-09 Fuse Block ANE / ANF Limiter Fuses



www.optifuse.com (619) 593-5050

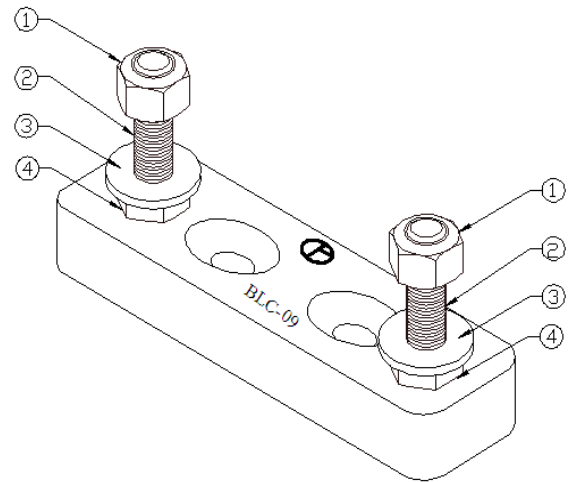
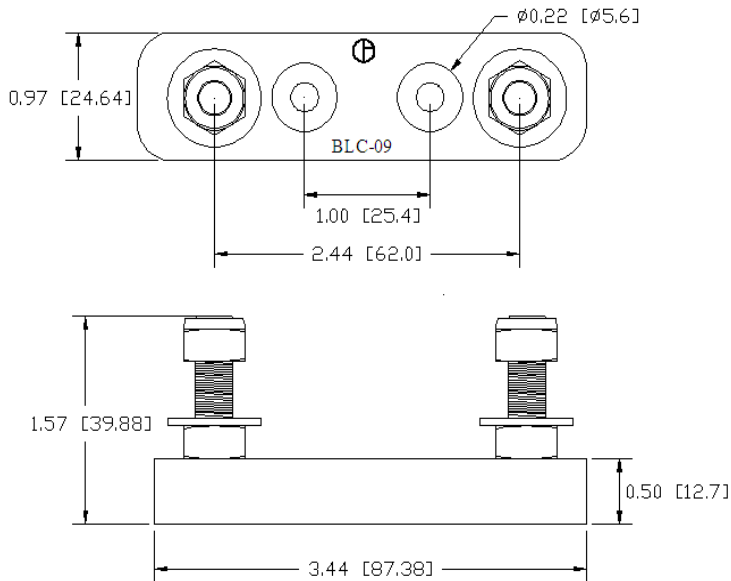
Specifications:

- Voltage Rating:** 500VAC; 500VDC
- Max Current Rating:** 300A
- Fuse Type:** ANE / ANF Limiter Fuse
- Base:** Polyester Impact/Electrical -01528 Grey with Mineral and Glass Fiber Added.
ULR Certification number E40654
- Terminals:** Low Carbon Steel, Zinc Finish
- Max Stud Torque:** 10lb-ft (138 kgf-cm)

Hardware Specifications

Item	Qty	Description
1	2	Nut, Nylock 5/16-24UNF
2	2	Bolt, hex cap, 5/16-24 UNF x 1.25
3	2	Washer, 5/16 SAE
4	2	Nut, Hex, Normal, 5/16-24UNF

Mechanical Dimensions: Inches [mm]



Warning:



-Operation beyond the specified maximum ratings or improper use may result in damage and possible electrical arcing and/or flame.

-Avoid contact of device with chemical solvent. Prolonged contact may damage the device performance.

Type BLC-09-GT Fuse Block ANE / ANF Limiter Fuses



www.optifuse.com

(619) 593-5050

Specifications:

- Voltage Rating:** 500VAC; 500VDC
- Max Current Rating:** 500A
- Fuse Type:** ANE / ANF Limiter Fuse
- Insulation Resistance @ 500V DC:** 100MΩ Min.
- Base:** Polyester Impact/Electrical - Black with Mineral and Glass Fiber Added.
- ULR Certification number** E40654
- Terminals:** Low Carbon Steel, Zinc Finish

Hardware:

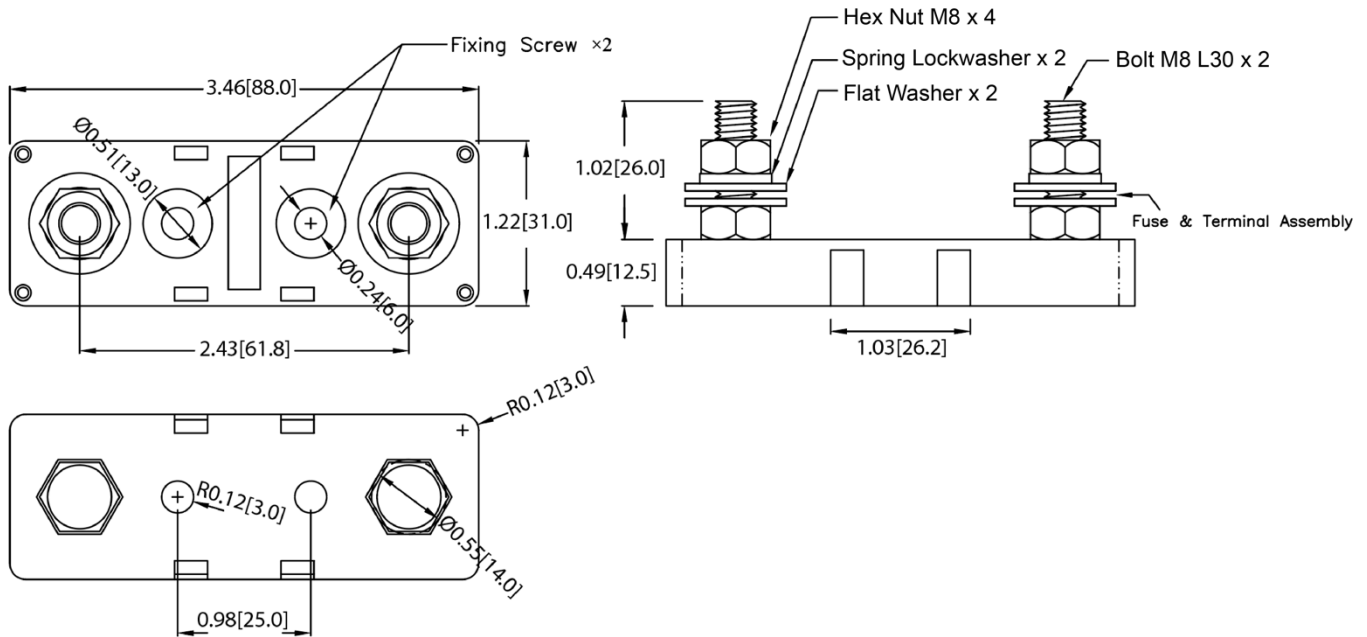
- Hex Nut: M8 x 4
- Spring Lockwasher x 2
- Flat Washer x 2
- Bolt: M8 L30 x 2

Tightening Torques Stainless & ASTM Steels is metric thread:

- Bolt M8, Pitch: 1.25
- M8 nut 8.5Nm max
- Fixing screw 8.5Nm max

For Cover: See BLC-09-GTC

Mechanical Dimensions: Inches [mm]



Warning:



- Operation beyond the specified maximum ratings or improper use may result in damage and possible electrical arcing and/or flame.
- Avoid contact of device with chemical solvent. Prolonged contact may damage the device performance.

Type BLC-09-GTA Fuse Block with Cover ANE / ANF Limiter Fuses



www.optifuse.com

(619) 593-5050

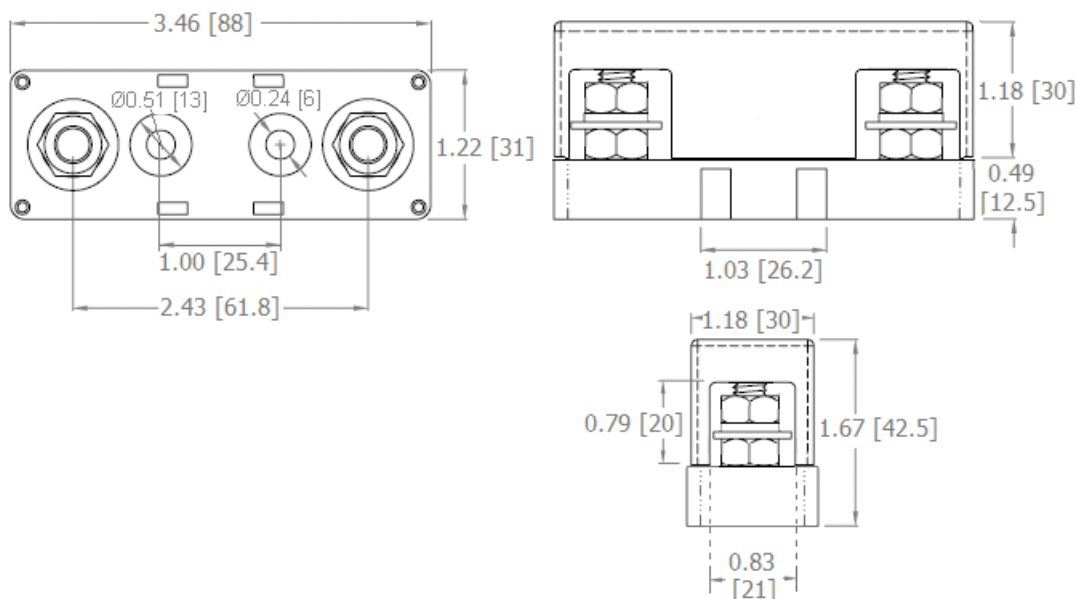
Specifications:

- Voltage Rating:** 500VAC; 500VDC
- Max Current Rating:** 500A
- Fuse Type:** ANE / ANF Limiter Fuse
- Insulation Resistance @ 500V DC:** 100MΩ Min.
- Base:** Polyester Impact/Electrical - Black with Mineral and Glass Fiber Added.
- ULR Certification number** E40654
- Terminals:** Low Carbon Steel, Zinc Finish
- Cover:** Polycarbonate UL 94V0



- For Block alone:** See BLC-09-GT
- For Cover alone:** See BLC-09-GTC

Mechanical Dimensions: Inches [mm]



Warning:



- Operation beyond the specified maximum ratings or improper use may result in damage and possible electrical arcing and/or flame.
- Avoid contact of device with chemical solvent. Prolonged contact may damage the device performance.

Type BLC-09-GTC Fuse Block Cover ANE / ANF Limiter Fuses



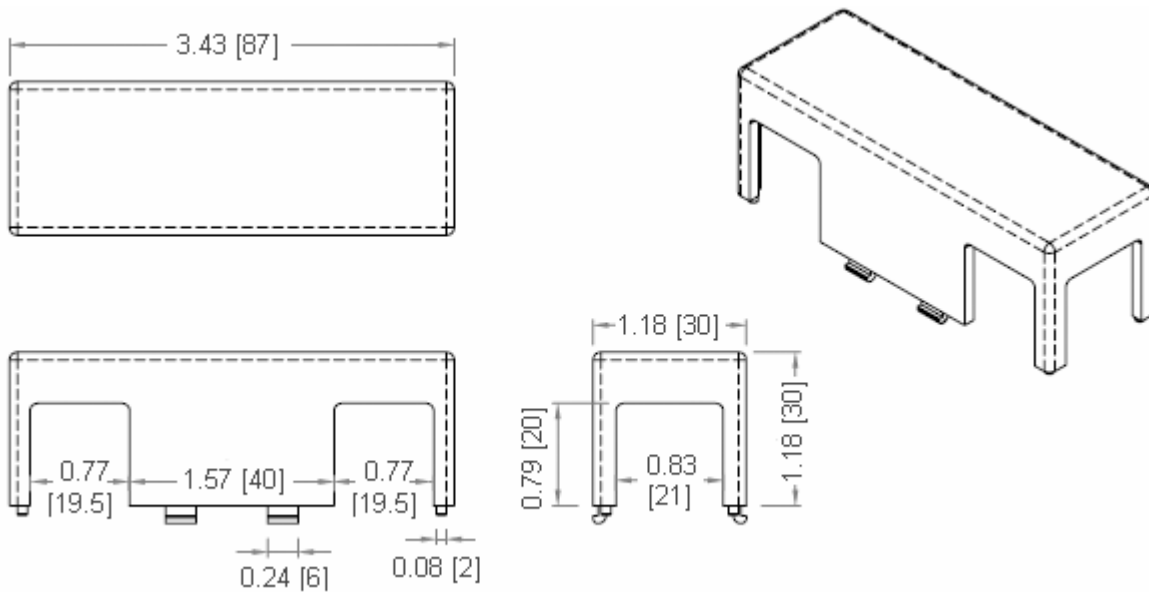
www.optifuse.com (619) 593-5050

Specifications:

Cover: Polycarbonate UL 94V0

To be used with Fuse Block: BLC-09-GT

Mechanical Dimensions: Inches [mm]



Warning:



-Operation beyond the specified maximum ratings or improper use may result in damage and possible electrical arcing and/or flame.

-Avoid contact of device with chemical solvent. Prolonged contact will damage the device performance.