

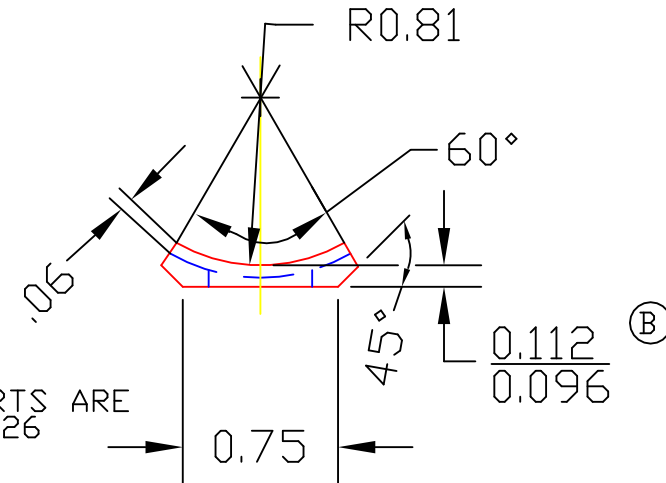
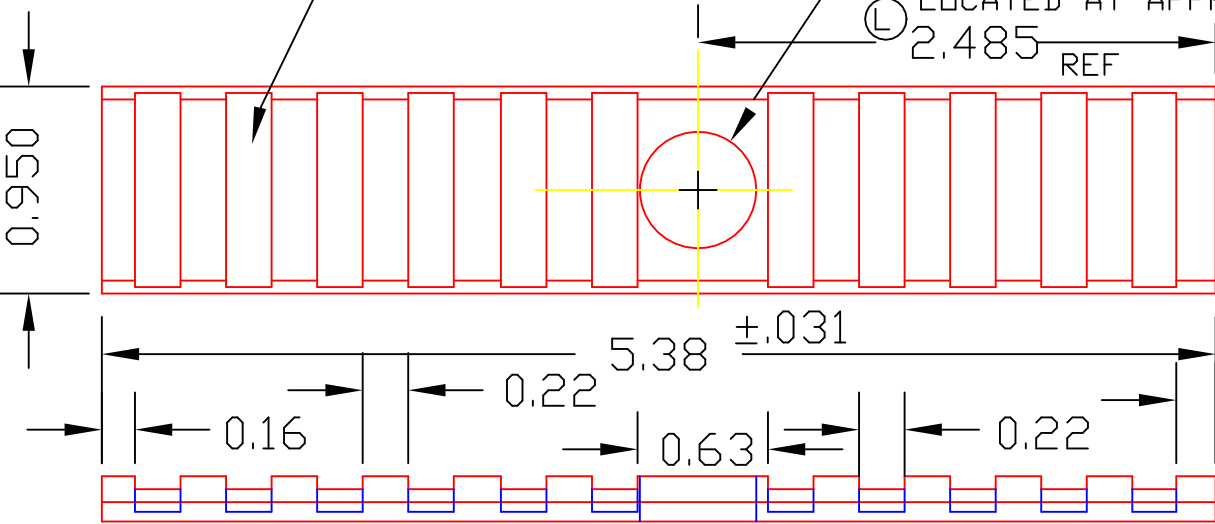
1052

NOTE: SOME FLASH IS ALLOWED
 AT EDGES AND CENTER HOLE.

MUST BE OIL FREE. (N)

(C) 11 GROOVES

(F) (C) $\phi 0.562$ - ONE HOLE
 LOCATED AT APPROXIMATE CENTER OF LARGE PAD
 (L) 2.485 REF



*NOTE - NEOPRENE ASTM #SC515 50 DUROMETER (SHORE A) (K)

(D) OR NITRILE ASTM #SB-515-Z, ELECTRICALLY CONDUCTIVE.

(P)

2000 PCS. PER. CARTON

(M)

(J) "50 DUROMETER (SHORE A) NITRILE, 1500 lbs. TENSILE, ,
 TIMCO COMPOUND 15289
 ELECTRICALLY CONDUCTIVE. ELECTRICAL TEST =
 PROCEDURE/GAGE DP39758, PART TO MEASURE 2M OHMS
 (2X10⁶ OHMS) OR LESS. (K)(P)

FIT	////
PLATING	////
MATERIAL	SEE NOTE*
ALL DIMS.	±.020 UNLESS OTHERWISE SPECIFIED

DET	PART NUMBER	DESCRIPTION	AMT
A		TRIANGLE MANUFACTURING CO. OSHKOSH, WI.	
NAME CUSHION			
USED IN ////			
DATE	10-3-59	PART NO.	
DRAWN	LML		
CHECKED	MJK		
SCALE	1 / 1		
			1052

CHANGE LEVEL
P 02-03-21