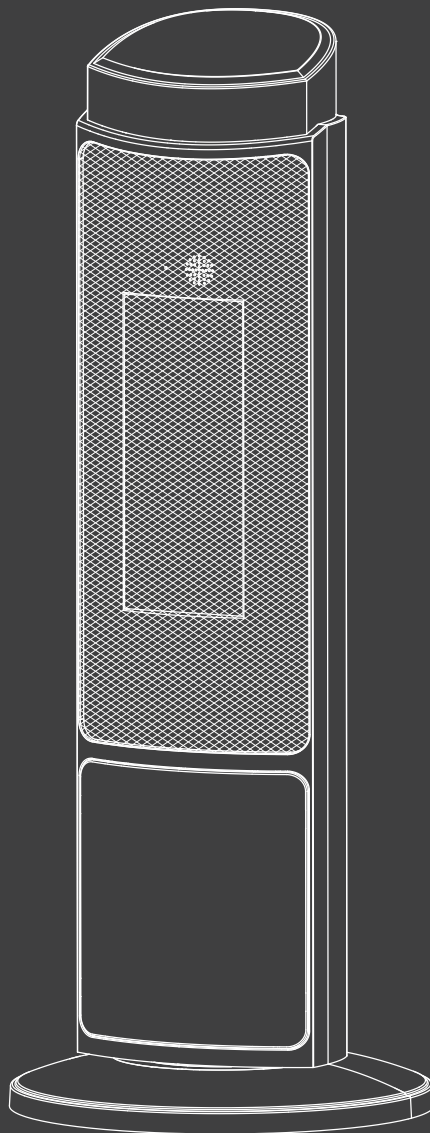


FAN HEATER

Instruction Manual

AH-NFJ2Y02



✉ HJ-Customer-Service@outlook.com

☎ (909)637-7665 | (909)637-7593

EST 9:00AM--17:00PM

SAFETY INFORMATION

PLEASE SAVE THESE INSTRUCTIONS AND READ THIS MANUAL CAREFULLY BEFORE USE.

IMPORTANT SAFETY INSTRUCTIONS

When using this fan heater, basic safety precautions should always be followed to reduce the risk of fire, electric shock, injury, and overheating, including the following:

WARNING

1. Read all instructions before using this heater.
2. This heater becomes hot during operation. To avoid burns, do not touch hot surfaces with bare skin. If equipped, use the handles when moving the heater.
3. Keep combustible materials--such as furniture, pillows, bedding, paper, clothing, and curtains--at least 3 feet (0.9 m) away from the front of the heater, and clear of the sides, top, and rear. Do not place towels or other objects on the heater.
4. Use extreme caution when operating the heater near children, individuals with disabilities, or when left unattended.
5. Always unplug the heater before moving or cleaning, or whenever it is not in use.
6. Do not operate the heater if the power cord is damaged, or if the unit malfunctions, has been dropped, or otherwise damaged. Please contact our after-sales service for further assistance.
7. Do not use this heater outdoors.
8. This heater is not intended for use in bathrooms, laundry areas, or other similar indoor locations. Never place the heater where it could fall into a bathtub or any other water container.
9. Do not run the power cord under carpeting or cover it with rugs, runners, or similar coverings. Arrange the cord away from traffic areas and in a location where it will not cause tripping hazards.
10. To disconnect the heater, turn the controls to OFF, then remove the plug from the outlet.
11. Do not insert or allow foreign objects to enter any ventilation or exhaust openings, as this may result in electric shock, fire, or damage to the heater.
12. To reduce the risk of fire, do not block air intakes or exhaust openings. Do not use the heater on soft surfaces, such as a bed, where openings may be obstructed.
13. This appliance contains hot, arcing, or sparking components. Do not use in areas where gasoline, paint, or flammable/explosive liquids are used or stored. Keep the unit away from heated surfaces and open flames.
14. Use this heater only as described in this manual and only for intended household purposes. Any other use not recommended by this manual may result in fire, electric shock, or injury.
15. Always plug the heater directly into a wall outlet. Do not use with extension cords or relocatable power taps (such as power strips).
16. Hyperthermia can be fatal. Symptoms may include elevated body temperature, headache, nausea, vomiting, fatigue, dizziness, fainting, and rapid heartbeat. If you experience any of these symptoms, turn off the heater immediately and seek medical attention.
17. To prevent excessive room temperatures that may lead to hyperthermia, do not leave the unit running unattended in confined spaces or near infants, or individuals with reduced physical, sensory, or cognitive abilities.
18. PLEASE SAVE THESE INSTRUCTIONS AND READ THIS MANUAL CAREFULLY BEFORE USE.

NOTE: This heater contains an internal tip-over switch. It is normal for the unit to produce slight noises when moved or shaken.

SAFETY INFORMATION

DO NOT PLACE THE HEATER AGAINST WALLS OR BEHIND DRAPES OR FURNITURE WHEN USED AS A FREE-STANDING UNIT.

CAUTION: This appliance emits high temperatures. Keep electrical cords, drapes, and other furnishings at least 3 feet (0.9 m) away from the front of the heater, and maintain clearance on all sides and the rear.



WARNING -Risk of Hyperthermia

Prolonged exposure to high temperatures can cause hyperthermia, which may be fatal, especially for infants, the elderly, or individuals with health conditions. Use with caution to prevent overheating. Always read and follow all safety instructions before operation.

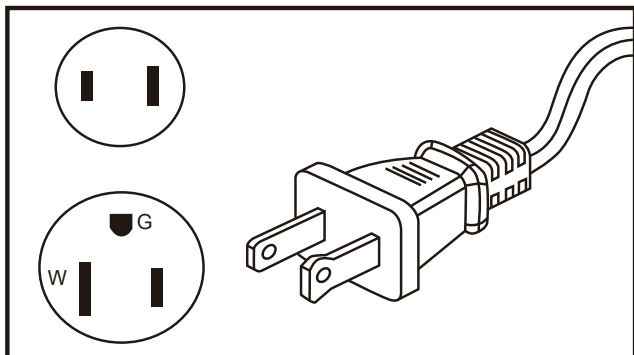
Remove this label before use.

TECHNICAL SPECIFICATIONS

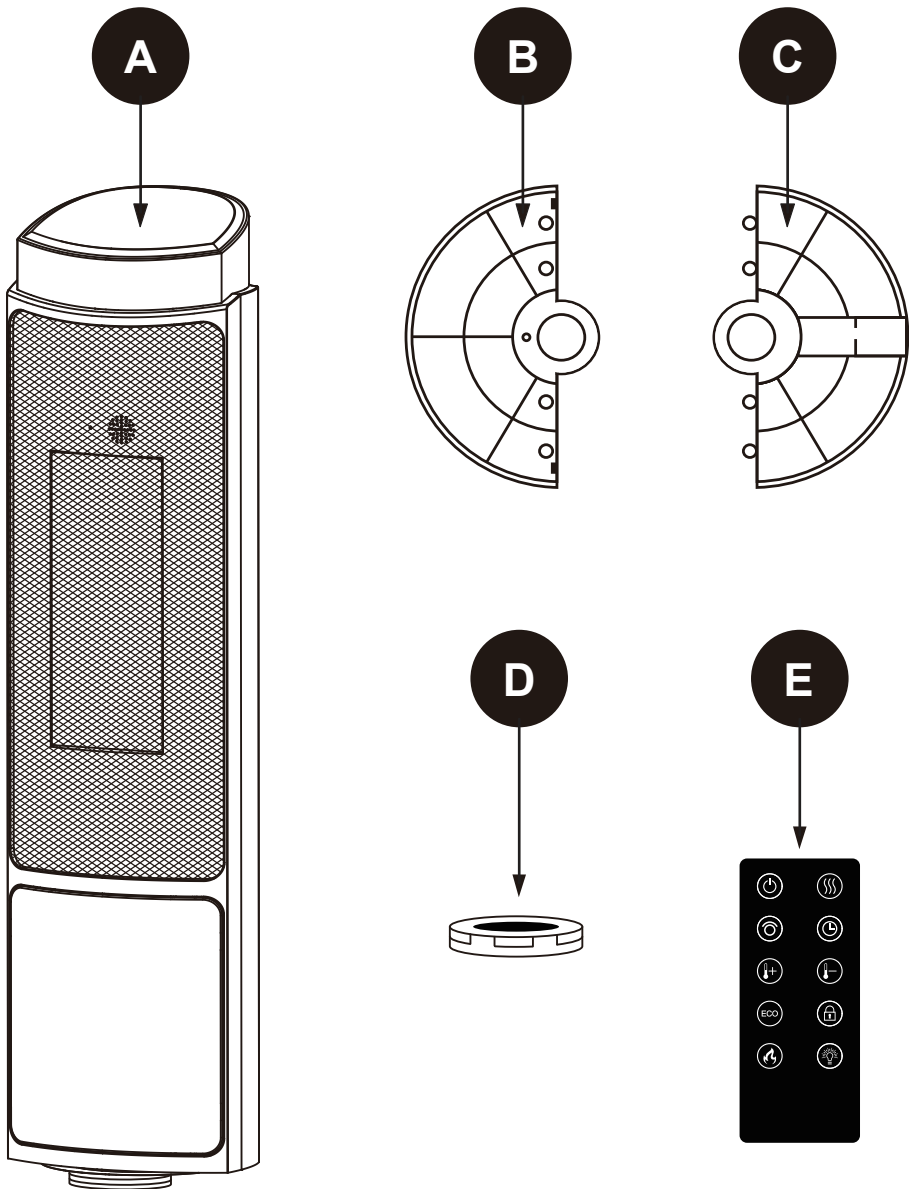
SPECIFICATIONS			
Model	Rated Voltage/Frequency	Rated Current	Maximum Power
NFJ2Y02-23	120 VAC, 60 Hz	12.5 A	1500 W

WARNING

This heater is designed for use with a 120 V power supply. The power cord has a polarized plug, with one blade wider than the other. To reduce the risk of electric shock, the plug is designed to fit into a polarized outlet in only one direction. If the plug does not fully fit into the outlet, reverse it. If it still does not fit, contact a qualified electrician to install a suitable outlet. Do not attempt to modify the plug or defeat this safety feature in any way. Never use this heater with an extension cord or a relocatable power tap (such as a power strip).



PACKAGE CONTENTS



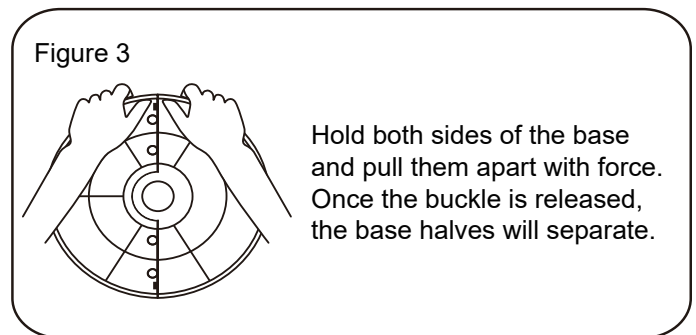
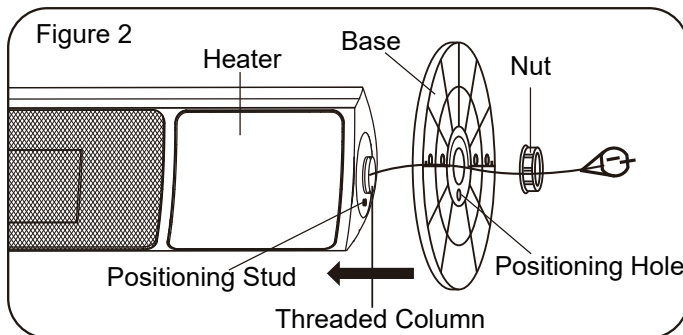
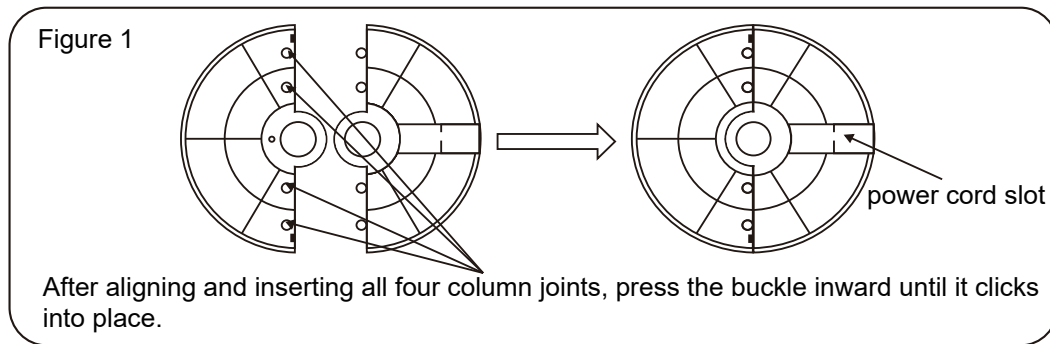
PART	NAME	QUANTITY
A	Heater	1
B	Base 1	1
C	Base 2	1
D	Nut	1
E	Remote Control	1

PREPARATION

Before beginning assembly, ensure all parts are present. Compare the included components with the package contents above. If any parts are missing or damaged, do not attempt assembly. Contact our after-sales service for help.

ASSEMBLY INSTRUCTIONS

1. Open the packaging box and check if the parts inside match the packing list in the instruction manual. Take out the heater and the base parts and place the heater on a flat surface.
2. Align and connect the two base parts to form a complete base, as shown in Figure 1.
3. First, pass the power cord through the round hole in the base, then through the nut. Place the base onto the threaded column at the bottom of the heater, aligning the positioning hole on the base with the positioning stud on the heater. Next, screw the nut onto the threaded column to secure the base. Finally, insert the power cord into the designated slot on the base (see Figure 2).
4. To remove the base, unscrew the nut at the bottom of the heater, then lift off the base. (See Figure 3 for details.)



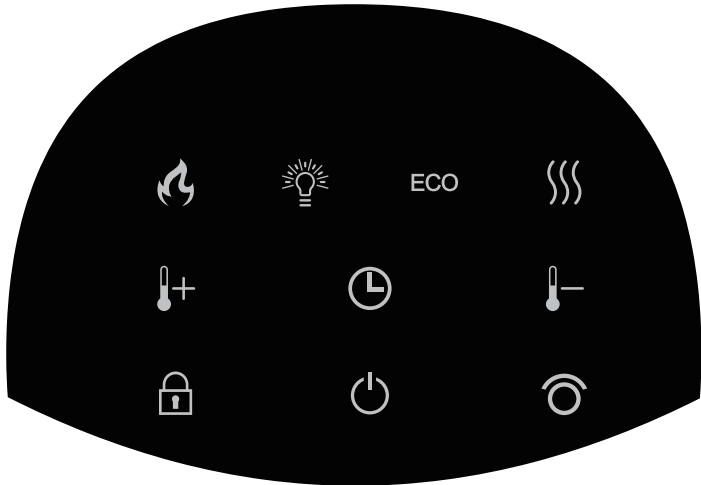
CARE AND MAINTENANCE

Always unplug the heater and allow it to cool down completely before cleaning.

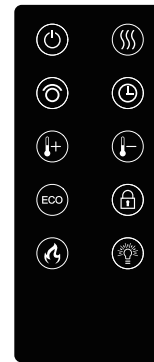
1. Wipe the unit with a soft cloth dampened with a mild soap and water solution.
2. Do not use abrasive cleaners or flammable solvents to clean the unit.
3. After cleaning, ensure the unit is thoroughly dried with a clean cloth or towel.
4. Store the heater in a cool, dry place. We recommend keeping the unit in its original packaging for protection.

OPERATING INSTRUCTIONS

Control Panel:



Remote Control:



After installation, you can operate the heater using the control panel or the remote control.

NOTE: When the machine is powered on, it enters standby mode. The power indicator light on the display panel will illuminate.

1. Press the "⏻" button to turn on the heater. By default, the high-heat fan will start blowing air and the display will show a set temperature of 72 °F. Press it again to turn the unit off.

In normal mode:

- The heating function is disabled when the set temperature is less than or equal to the ambient temperature.
 - Heating is activated at the preset level when the set temperature exceeds the ambient temperature by more than 2°F.
2. Press the "〰️" button, there are three modes to choose from and can cycle through: Cooling (display H0) - Low Heating (display H1) - High Heating (display H2)
3. Press the "📈" / "📉" buttons to adjust the temperature setting.
- "📈": Increases the temperature;
 - "📉": Decreases the temperature;

Adjustable range: 50°F-95°F. Press and hold either button to adjust continuously.

4. Press the "ECO" button to enable or disable the ECO mode.

In ECO mode:

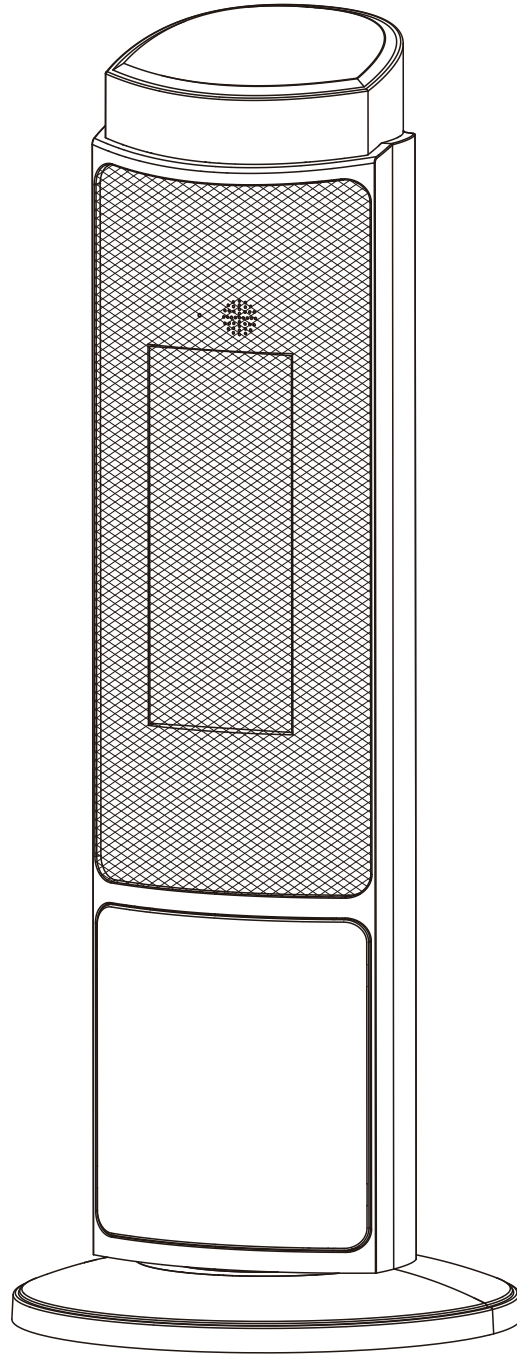
- Heating remains off when the set temperature is less than or equal to the ambient temperature.
 - Low heating activates when the set temperature exceeds the ambient temperature by more than 2 °F.
 - High heating activates when the set temperature exceeds the ambient temperature by more than 4 °F.
5. Press the "🕒" button to set a timer from 0 to 12 hours. Each press increases the time by 1 hour. When "🕒" is displayed, the timer is canceled.
6. Press the "🔄" button once to enable left-right oscillation. Press it again to turn off the function.
7. Press and hold the "🔒" button for 3 seconds to enable or disable the child lock function.
8. Press the "🔥" button to turn on the light and cycle through the available colors: Red → Orange → Purple → Blue → Green → Yellow → Lavender → Off.
9. After the light is turned on, press the "💡" button to cycle through the brightness levels: High → Medium → Low.
10. Screen Auto-Off: When the unit is operating, the display will automatically turn off after 3 minutes of inactivity. Press any button to wake the display.
11. When the heating function has been used, the unit will enter a 90-second cooldown period before shutting down.

NOTE:

- Each button on the remote control performs the same function as its counterpart on the control panel.
- Remote control range: up to 5.0 meters (forward direction).

TROUBLESHOOTING

PROBLEM	POSSIBLE CAUSE	SOLUTION
Product shows E1 error code.	The internal temperature of the product is abnormal.	Unplug the unit and allow it to cool down. Once cooled, plug it back in and try again.
The heater will not power on.	Heater is not plugged into a 120V polarized outlet/receptacle.	Make sure the unit is in the OFF position. Plug the unit into a 120V polarized outlet and attempt to turn it on.
	Breaker/Fuse has been tripped.	Check the circuit breaker to ensure it hasn't tripped. This may happen if the heater shares the outlet with other high-power appliances. Make sure the unit is in the OFF position, then plug it in and try turning it on again. If the issue persists, try a different outlet.
The unit has stopped heating.	The room temperature has reached the set temperature.	Increase the set temperature to raise the room temperature.
The heater is creating a burning smell.	Ensure there are no combustible materials within 3 ft. (0.9 m) of the heater.	Remove any flammable materials near the heater.



Technical Support

(909)637-7665 | (909)637-7593

Other Info

HJ-Customer-Service@outlook.com

Thank you for choosing this product. We strive to provide you with the best quality products and service in the industry. Should you have any issues, please don't hesitate to contact us.