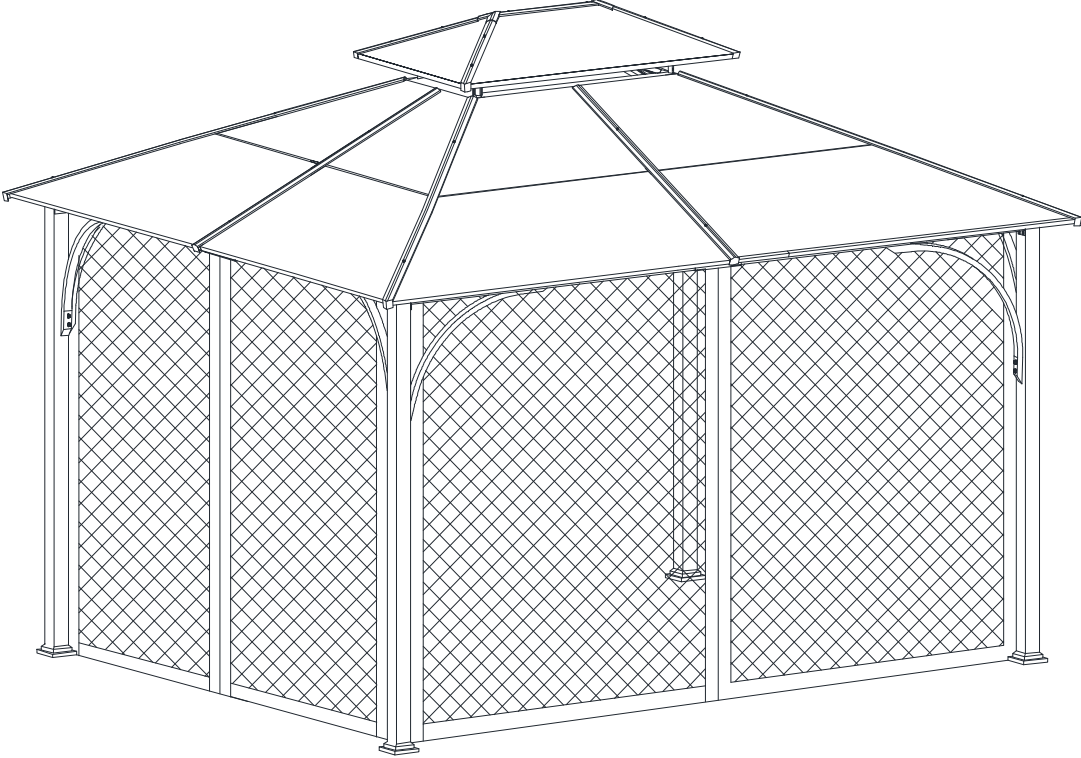


ITEM NO.: A102009100



WE HAVE YOU IN MIND, LET US SERVE YOU!

Questions? Issues?

CONTACT US

24 hours / 7 days a week

 www.sunjoyonline.com

 customer.care@sunjoygroup.com

Toll Free  [1-\(866\)-578-6569](tel:1-866-578-6569)

Table of Contents

Table of Contents.....	2	Pre-Assembly.....	3
Safety Information.....	2	Planning Assembly.....	3
Warranty.....	2	Hardware Included.....	3
What is Covered.....	2	Package Contents.....	4
What is Not Covered.....	2	Assembly.....	7
		Care and Cleaning.....	8

Safety Information

1. More than six people are required for this assembly.
2. Some parts may contain sharp edges. Wear protective gloves.
3. When assembling and using this product, basic safety precautions should always be followed to reduce the risk of personal injury and damage to equipment. Please read all instructions before assembly and usage.

NOTICE: For outdoor use only.



WARNING: Keep all flame and heat sources away from this gazebo fabric. This Gazebo is made with fabric that meets CPAI-84 specifications for flame resistance. It is not fire proof. The fabric will burn if left in continuous contact with any flame source. The application of any foreign substance to the gazebo fabric may render the flame-resistant properties ineffective.



CAUTION: Do not climb on top of the gazebo. Falling off the gazebo can result in serious injury, possibly even death.



DANGER: This unit is heavy! Do not assemble this item alone.



WARNING: While this gazebo is manufactured to withstand winds through only the supplied ground stakes, in areas subject to frequent severe weather, securing the gazebo to a deck, concrete patio or footings should be considered. Snow must be cleared off regularly during snowy days. Remove the snow at the top when it is thicker than 4 inches. In order to avoid damage, use a plastic snow rake to remove excessive snow and ice buildup from roof and keep away from falling debris.

Warranty

1 YEAR WARRANTY

WHAT IS COVERED

This limited warranty is extended to the original purchaser and applies to defects in materials and workmanship of your item provided the item is maintained with care and used only for personal, residential purposes. The item is warranted to be free from defects in material or workmanship for a period of 1 years.

WHAT IS NOT COVERED

We do not reimburse for transportation of delivery costs, or compensate the individual or any outside party for assembling or disassembling the product.

Country of Origin: China

Pre-Assembly

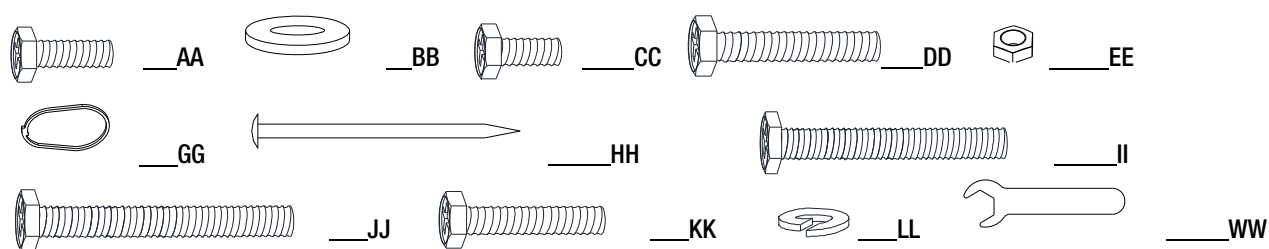
PLANNING ASSEMBLY

Before beginning assembly of this product, make sure all parts are present. Compare parts with the Hardware Included and Package Contents lists. If any part is missing or damaged, do not attempt to assemble the product. Contact customer service for replacement parts.

HARDWARE INCLUDED



NOTE: Hardware not shown to actual size.



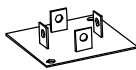
Part	Part Number	Description	Quantity	Additional hardware
AA	H010020012	M6 * 20 Bolt	68	4
BB	H050030001	M6 Flat washer	294	15
CC	H010020011	M6 * 15 Bolt	112	6
DD	H010020025	M6 * 60 Bolt	12	1
EE	H040010004	M6 Nut	28	2
GG	P005100264	Plastic ring	52	3
HH	H070010003	Dia. 8 * 180 Stake	8	0
II	H010020021	M6 * 70 Bolt	2	1
JJ	H010020024	M6 * 75 Bolt	16	1
KK	H010020022	M6 * 40 Bolt	56	3
LL	H050020017	Spring washer	72	4
WW	H090010009	Wrench	2	0

Pre-Assembly (continued)

PACKAGE CONTENTS



___A1



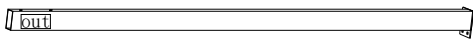
___B1



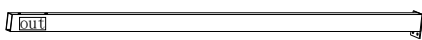
___C



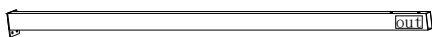
___D3



___D4



___E3



___E4



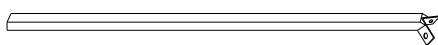
___F1



___G1



___G2



___H1



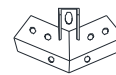
___I2



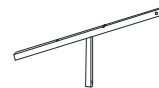
___J4



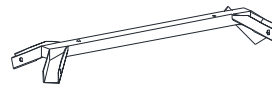
___J5



___J6



___K



___L



___M



___N



___P1



___P2

Pre-Assembly (continued)



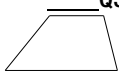
___Q1



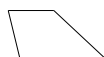
___Q2



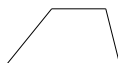
___Q3



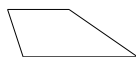
___R1



___R2



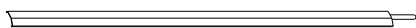
___R3



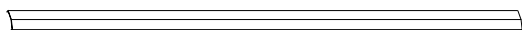
___R4



___S1



___S2



___S3



___T5



___T6



___T7



___T8



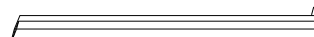
___U



___V



___W1



___W2



___W3



___W4

Pre-Assembly (continued)

Part	Part Number	Description	Quantity
A1	P000200449	Post	4
B1	P000100316	Stake base	4
C	P006100163	Stake cover	4
D3	P000400862	Long cross beam (Left)	2
D4	P000400863	Long cross beam (Right)	2
E3	P000400860	Short cross beam (Right)	2
E4	P000400861	Short cross beam (Left)	2
F1	P000501132	Slanting beam connector	4
G1	P000501133	Middle beam connector 1	4
G2	P000501134	Middle beam connector 2	4
H1	P000601299	Slanting beam	4
I2	P000601301	Middle beam 2	4
J4	P000501130	Big top long connector tube	2
J5	P000501129	Big top short connector tube	2
J6	P000501131	Big top connector	4
K	P000601298	Small roof support beam	4
L	P000501128	Small roof connector	1
M	P000800231	Small roof cover	1
N	P005800001	Hook	1
P1	P000700587	Small roof long panel	2
P2	P000700586	Small roof short panel	2
Q1	P000700592	Big roof short side upper panel	2
Q2	P000700593	Big roof short side bottom panel (Left)	2
Q3	P000700594	Big roof short side bottom panel (Right)	2
R1	P000700588	Big roof long side upper panel (Left)	2
R2	P000700589	Big roof long side upper panel (Right)	2
R3	P000700590	Big roof long side bottom panel (Left)	2

Part	Part Number	Description	Quantity
R4	P000700591	Big roof long side bottom panel (Right)	2
S1	P000800231	Small roof support beam cover	4
S2	P000800233	Slanting beam cover	4
S3	P000800234	Middle beam cover	4
T5	P005700639	Long pipe 1	2
T6	P005700640	Long pipe 2	2
T7	P005700641	Short pipe 1	2
T8	P005700642	Short pipe 2	2
U	P005000395	Curve support	8
V	P001200204	Mosquito netting	1
W1	P000601302	Big roof long side beam	4
W2	P000601304	Big roof short side beam	4
W3	P000601303	Big roof long side lower beam	4
W4	P000601305	Big roof short side lower beam	4

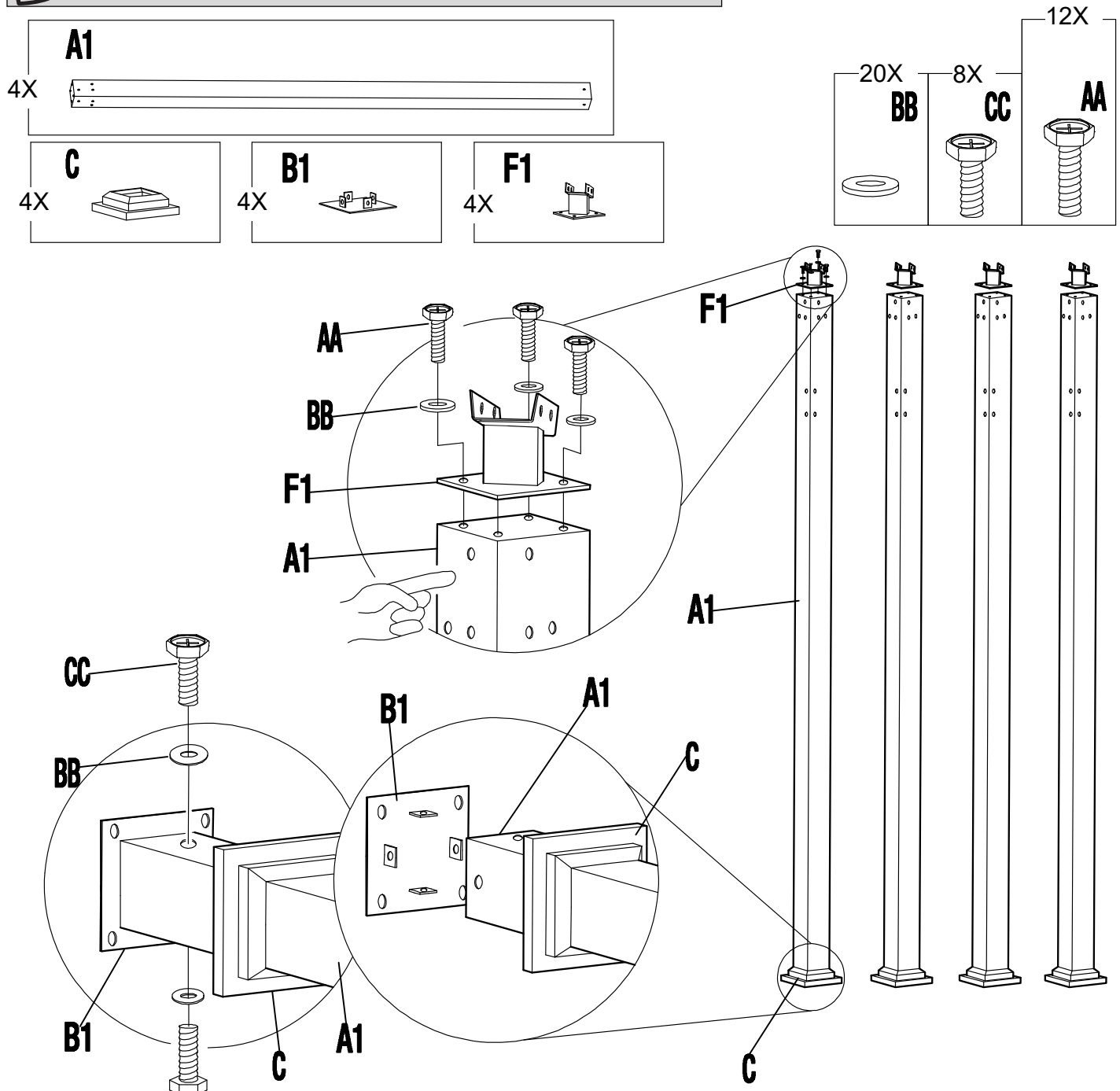
Country of Origin: China

Assembly

1 Attaching the Stake Bases and Slanting Beam Connectors

- ❑ Slide the Stake covers (C) over the Posts (A1). Attach the Stake bases (B1) to the Posts (A1) using Bolts (CC) and Flat washers (BB).
- ❑ Attach the Slanting beam connectors (F1) to the top of the Posts (A1) using Bolts (AA) and Flat washers (BB).

 **NOTE:** To avoid destroying the finish, do not put the parts on the ground directly.




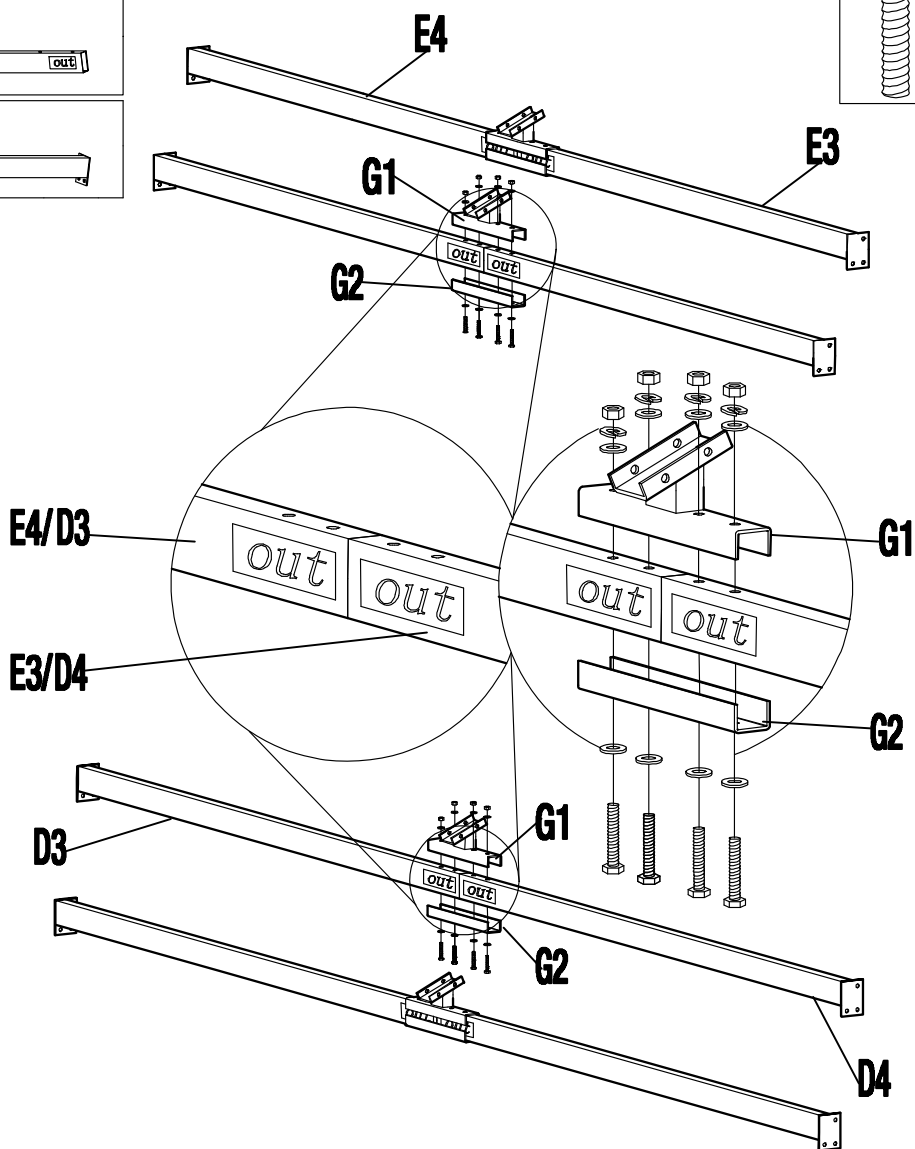
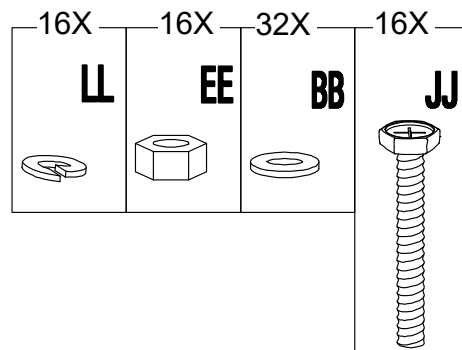
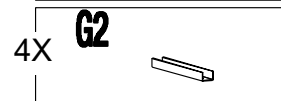
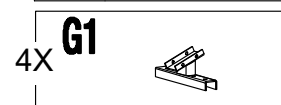
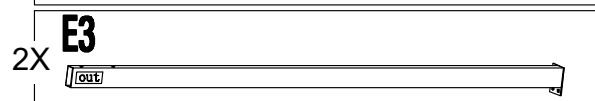
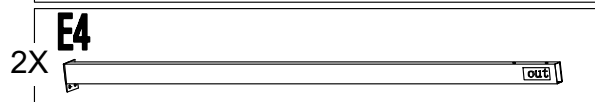
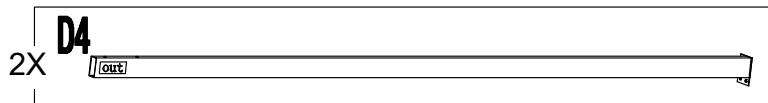
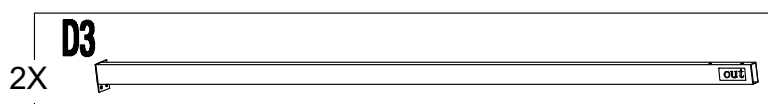
Country of Origin: China

Assembly

2 Connecting the Cross Beams

- Attach the Middle beam connectors 1 (G1&G2) on the Cross beams (D3&D4, E3&E4) using Bolts (JJ), Flat washers (BB), Spring washers (LL), and Nuts (EE). Tighten the bolts.

 **NOTE:** To avoid destroying the finish, do not put the parts on the ground directly.



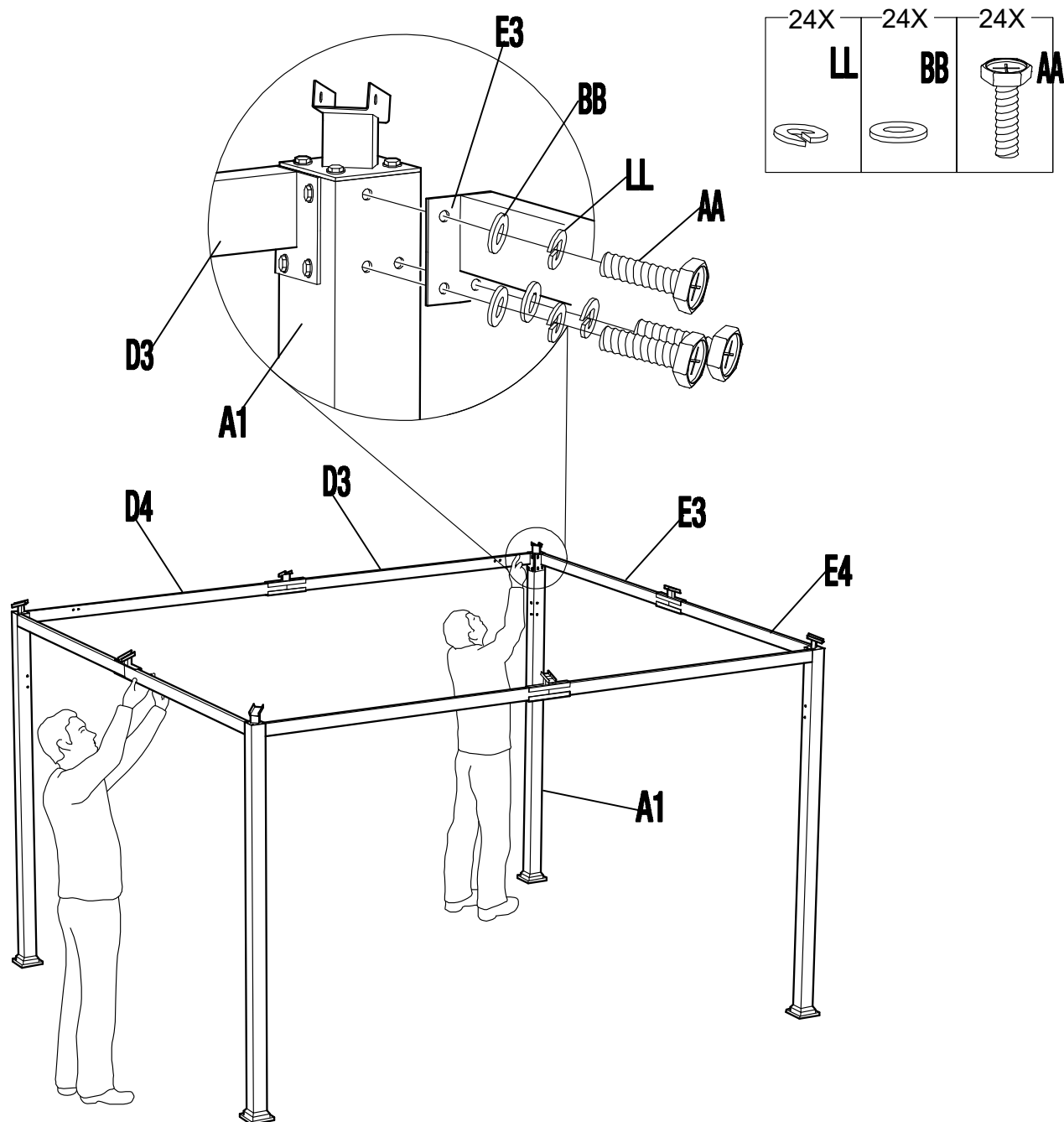
Assembly

3 Attaching the Cross Beams

- Attach the assembled Cross beams (D3&D4, E3&E4) to the Posts (A1) using Bolts (AA), Flat washers (BB) and Spring washers (LL). Tighten the bolts.




NOTE: To avoid destroying the finish, do not put the parts on the ground directly.

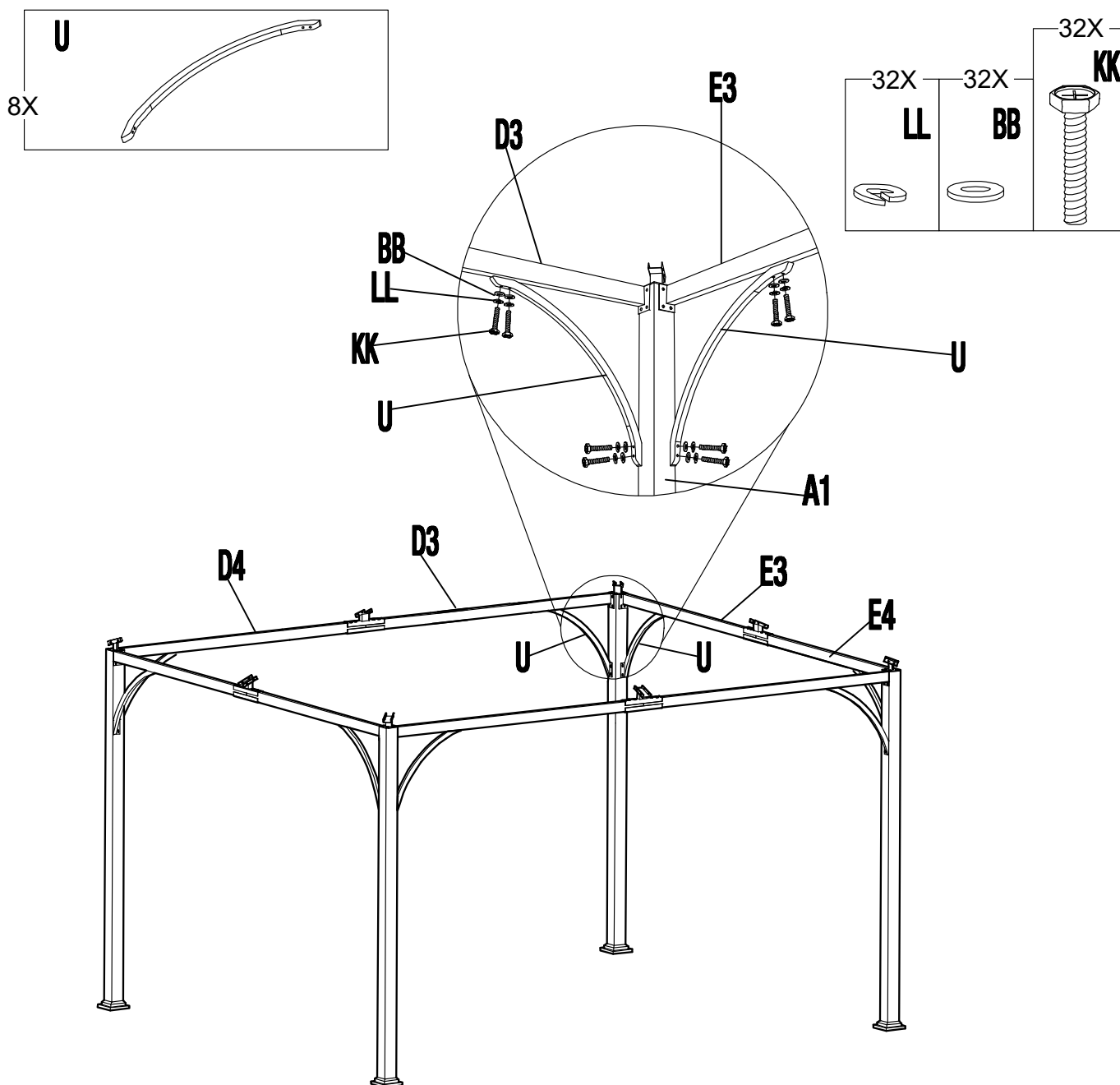


Assembly

4 Attaching the Curve Supports

- Attach the Curve supports (U) to the Posts (A1) and Cross beams (D3&D4, E3&E4) using Bolts (KK), Flat washers (BB) and Spring washers (LL). Tighten the bolts.

 **NOTE:** To avoid destroying the finish, do not put the parts on the ground directly.

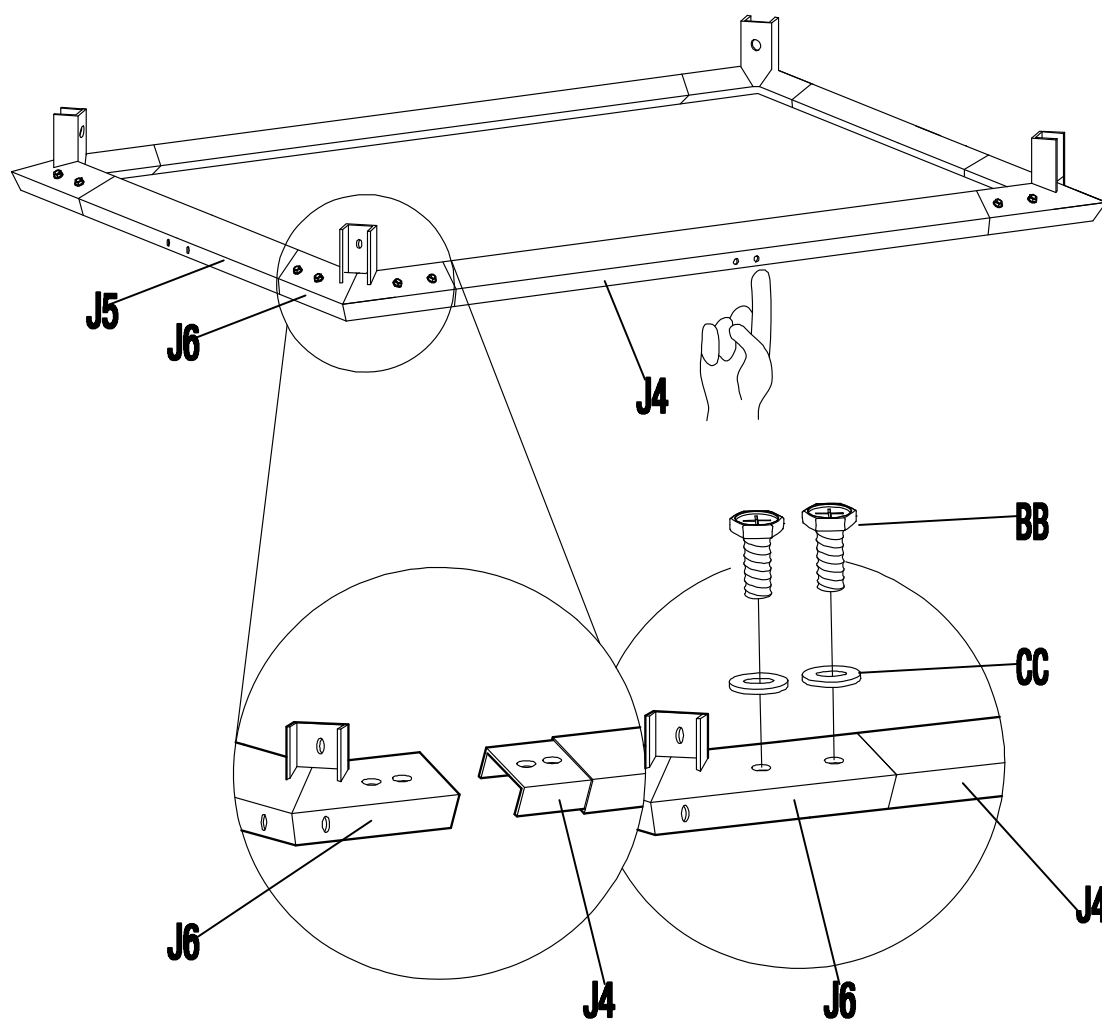
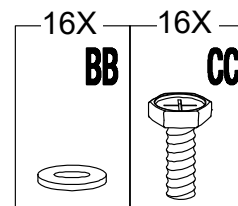
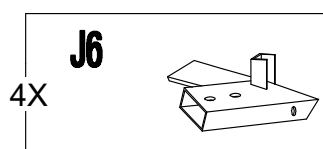
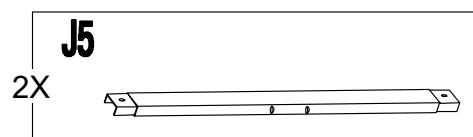
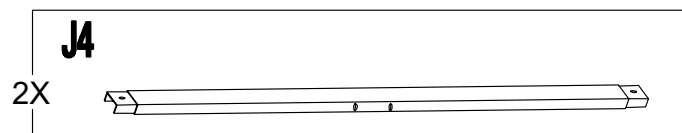


Assembly

5 Connecting the Big Roof

- Assemble the Big top connector tubes (J4&J5) with the Big top connectors (J6) using Bolts (CC) and Flat washers (BB). Tighten the bolts.

 **NOTE:** To avoid destroying the finish, do not put the parts on the ground directly.



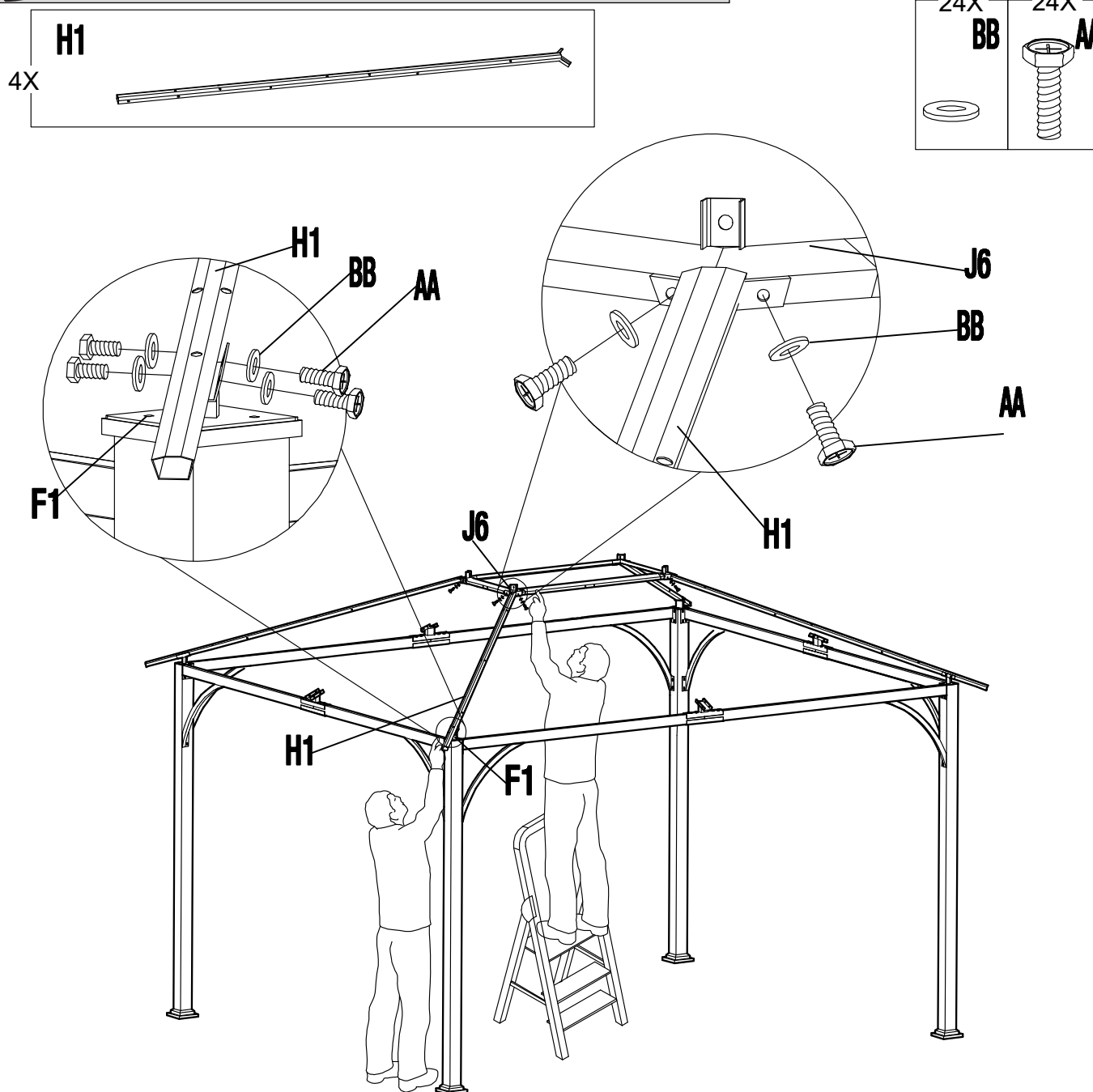
Assembly

6 Attaching the Slanting Beams

- ❑ Connect the top of the Slanting beams (H1) with the Big top connectors (J6) using Bolts (AA) and Flat washers (BB).
- ❑ Connect the bottom of the Slanting beams (H1) with the Slanting beam connectors (F1) using Bolts (AA) and Flat washers (BB). Tighten the bolts.



NOTE: To avoid destroying the finish, do not put the parts on the ground directly.



Country of Origin: China

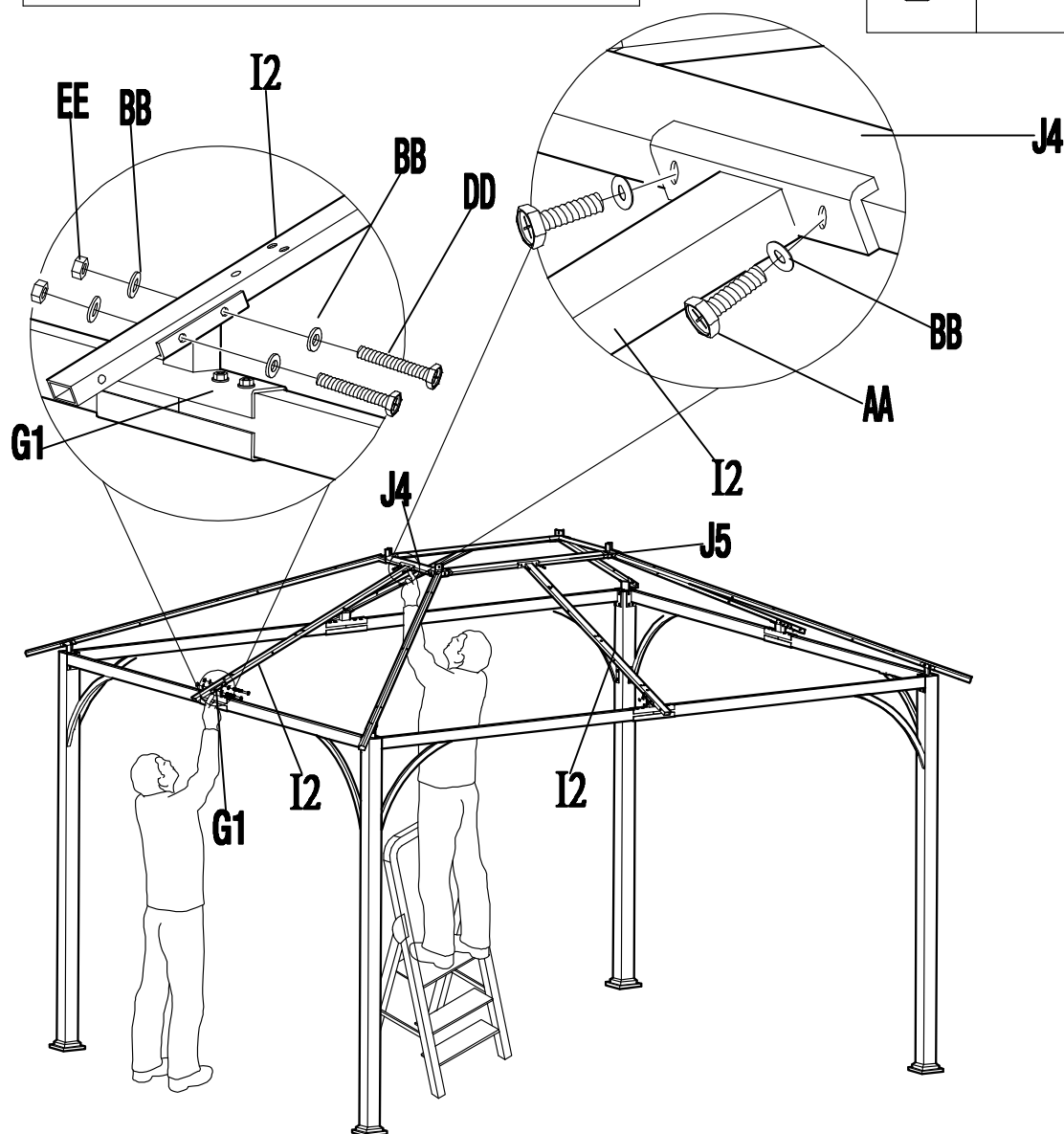
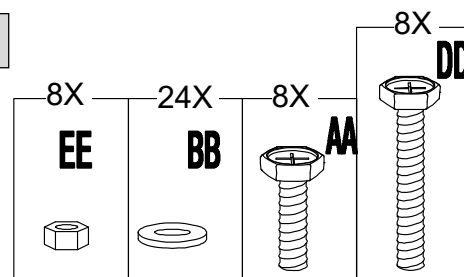
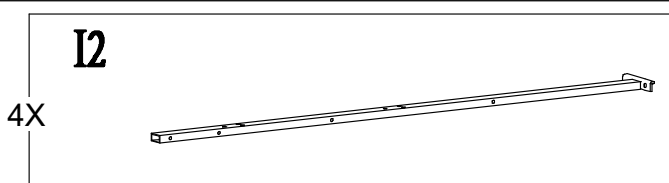
Assembly

7 Attaching the Middle Beams

- ❑ Connect the top of the Middle beam 2 (I2) with the Big top long connector tubes (J4) using Bolts (AA) and Flat washers (BB).
- ❑ Connect the bottom of the Middle beam 2 (I2) with the Middle beam connector 1 (G1) using Bolts (DD), Flat washers (BB) and Nuts (EE).



NOTE: To avoid destroying the finish, do not put the parts on the ground directly.



Country of Origin: China

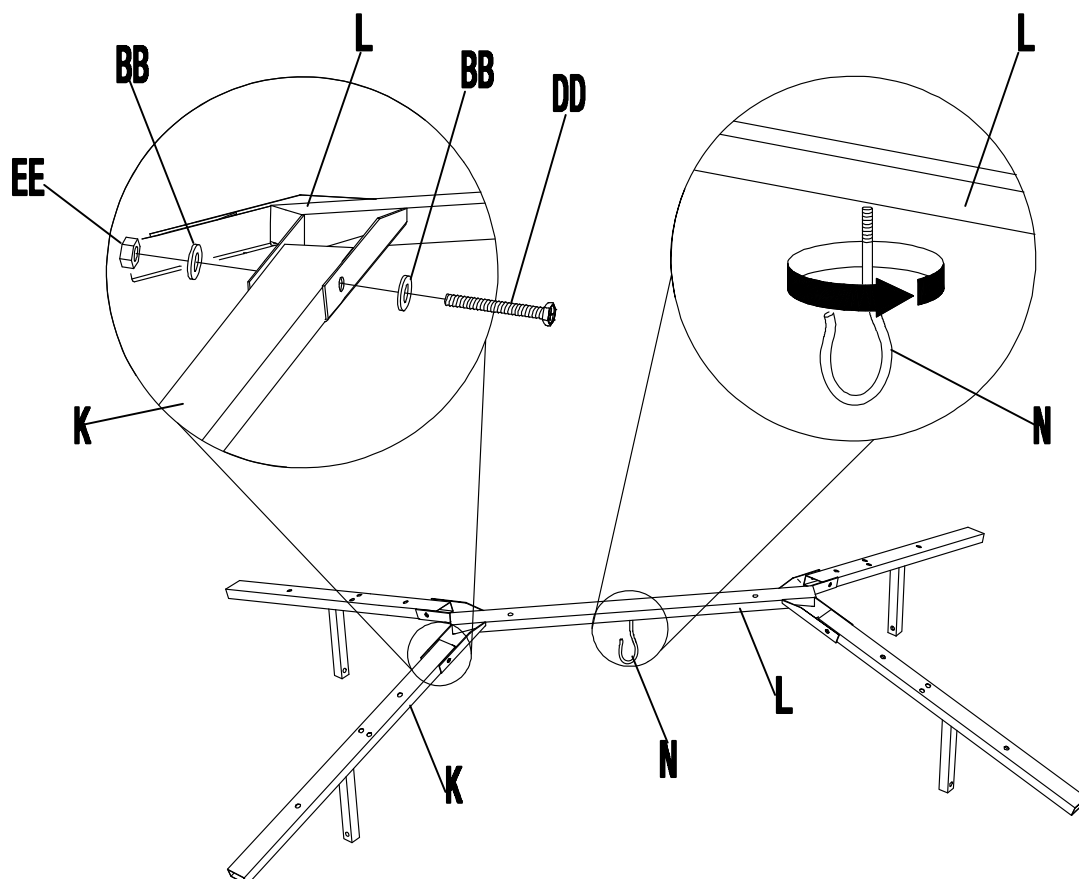
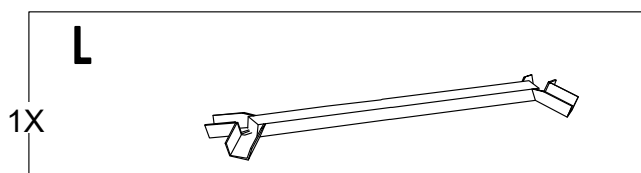
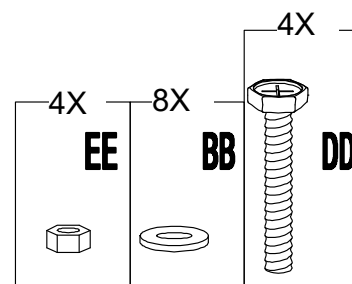
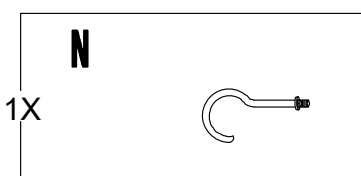
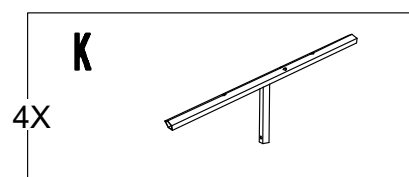
Assembly

8 Attaching the Hook and the Small Roof Support Beams

- ❑ Insert and screw the Hook (N) tightly into the corresponding hole on the Small roof connector (L).
- ❑ Attach the Small roof support beams (K) to the Small roof connector (L) using Bolts (DD), Flat washers (BB) and Nuts (EE).



NOTE: To avoid destroying the finish, do not put the parts on the ground directly.



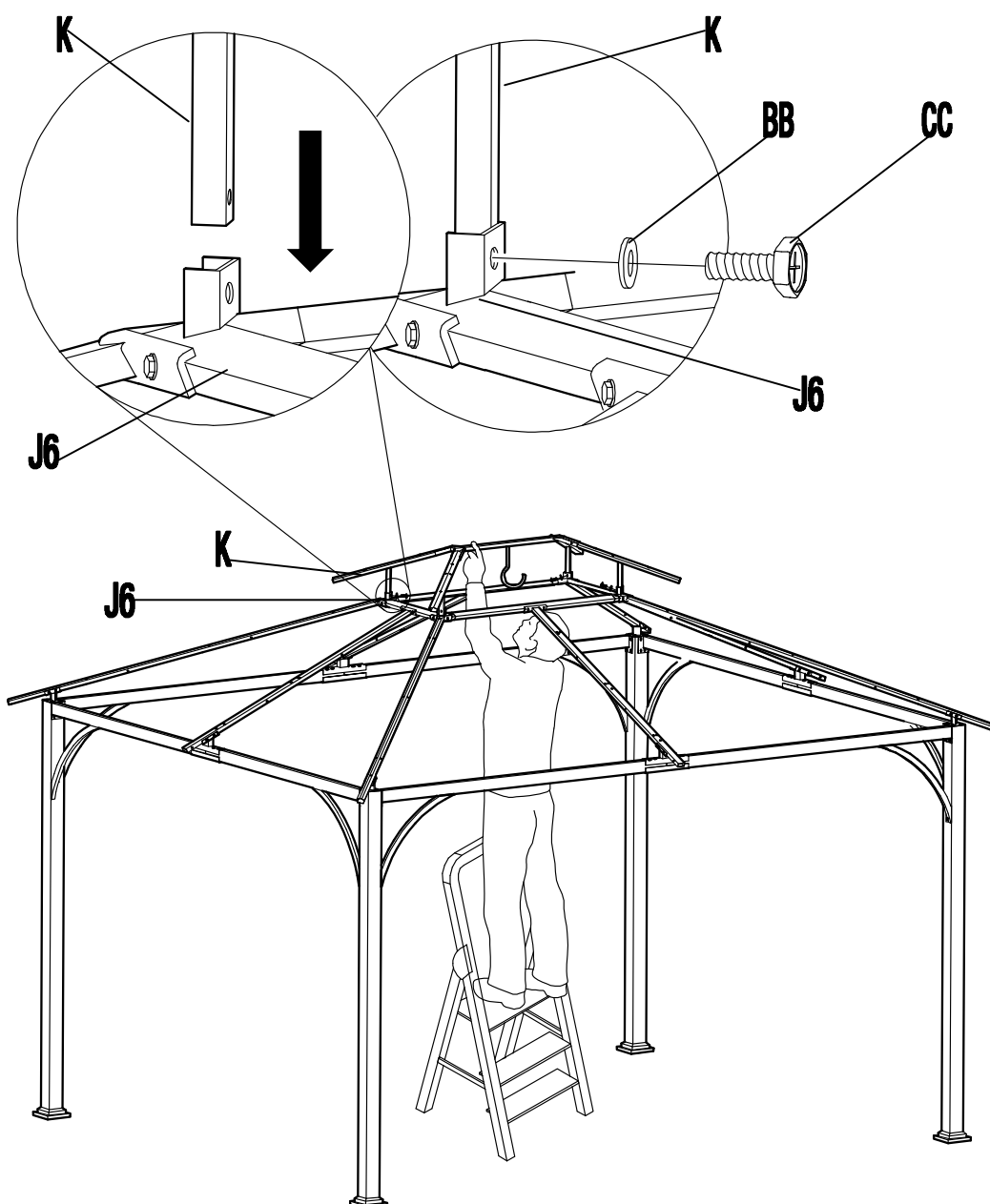
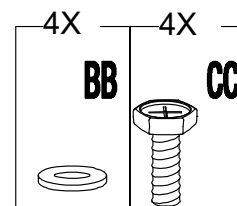
Assembly

9 Attaching the Small Roof

- Attach the Small roof support beams (K) to the Big Top Connector (J6) using Bolts (CC) and Flat washers (BB).



NOTE: To avoid destroying the finish, do not put the parts on the ground directly.



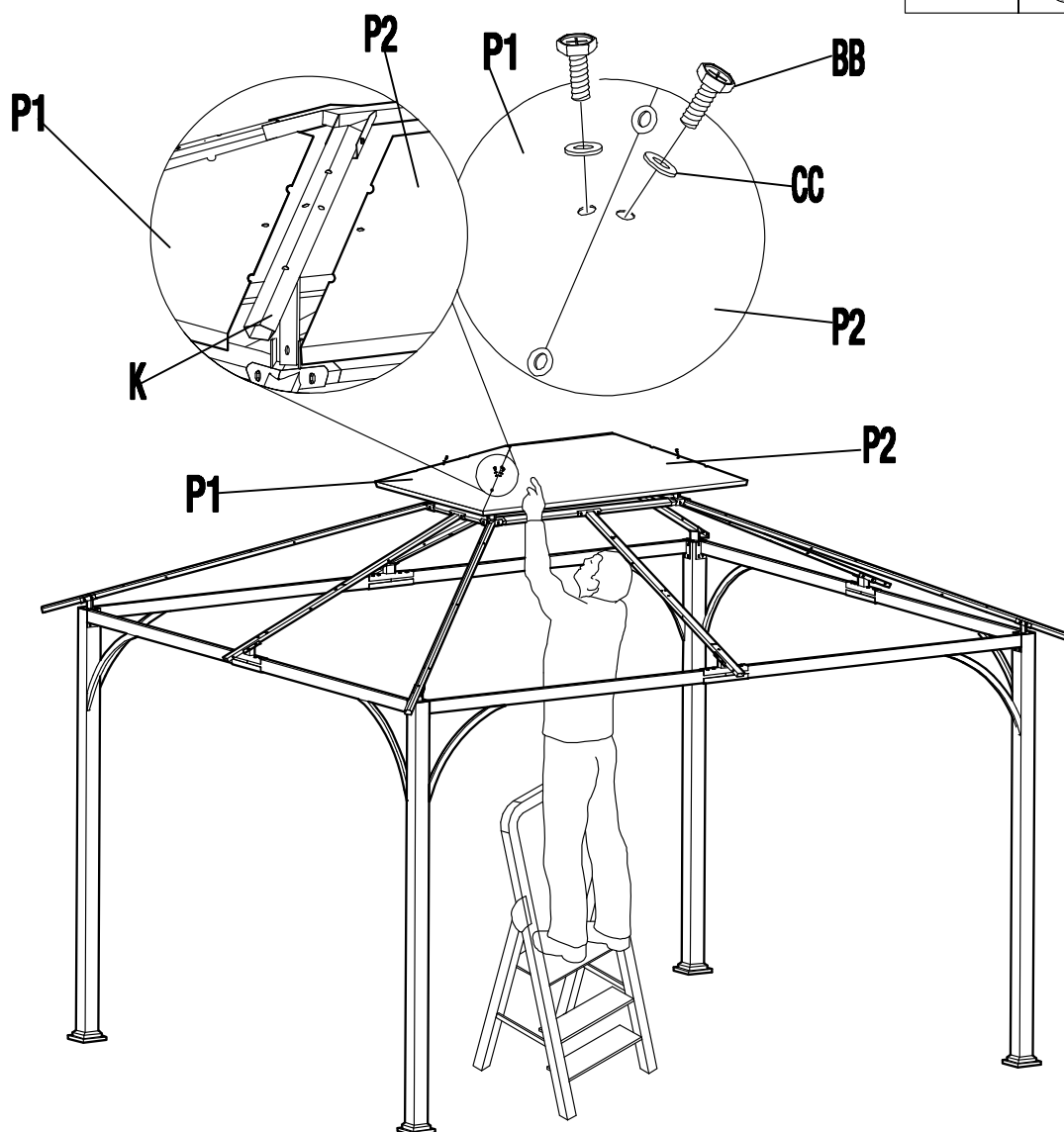
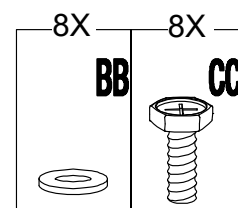
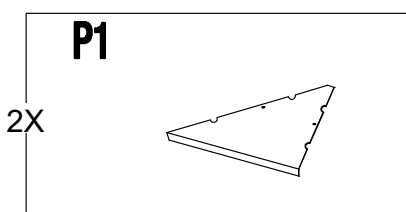
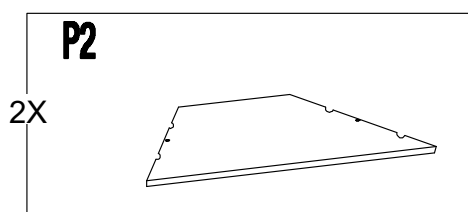
Assembly

10 Attaching the Small Roof Panels

- Attach the Small roof long panels (P1) and Small roof short panels (P2) to the Small roof frame using Bolts (CC) and Flat washers (BB).



NOTE: To avoid destroying the finish, do not put the parts on the ground directly.

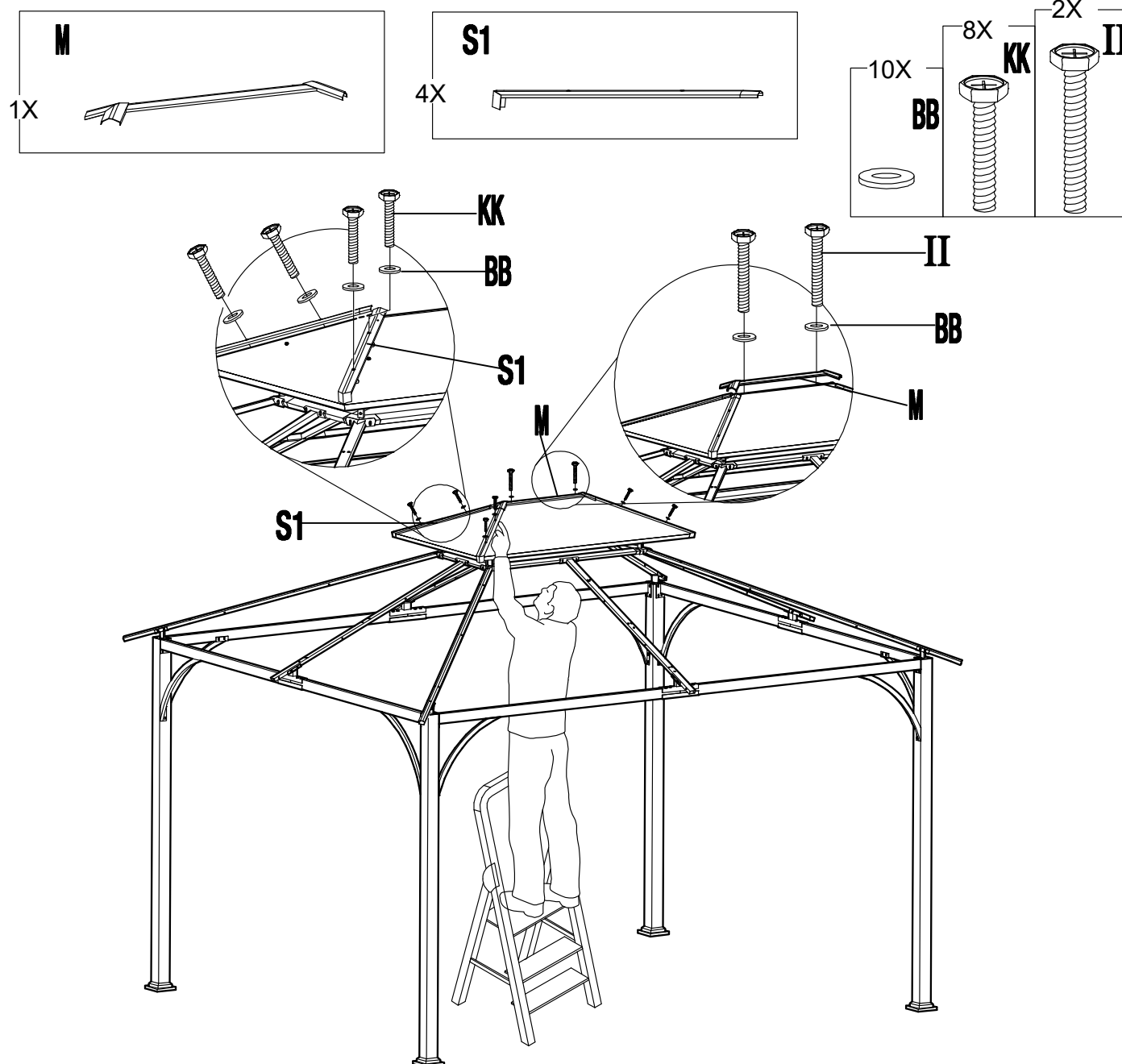


Assembly

11 Attaching the Small Roof Support Beam Covers

- Attach the Small roof support beam covers (S1) to the Small roof frame using Bolts (KK) and Flat washers (BB). Then place the Small roof covers (M) in the Small roof connector and secure using Bolts (II) and Flat washers (BB).

 **NOTE:** To avoid destroying the finish, do not put the parts on the ground directly.



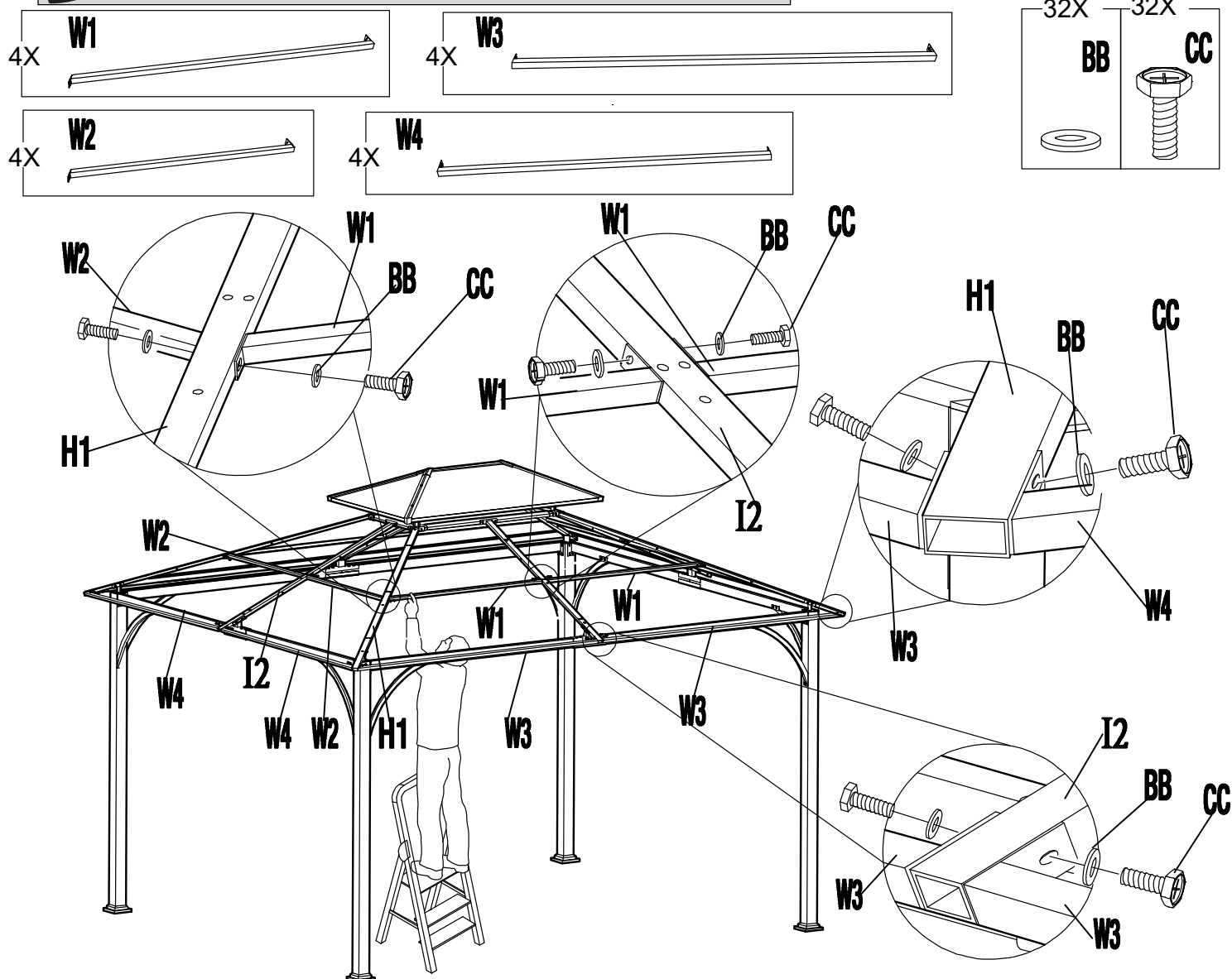
Assembly

12 Attaching the Big Roof Beams and the Big Roof Lower Beams

- ❑ Attach the Big roof short side beams (W2) to the top of the Middle beams 2 (I2) and Slanting beams (H1) using Bolts (CC) and Flat washers (BB). Tighten the bolts.
- ❑ Attach the Big roof long side beams (W1) to the top of Middle beams 2 (I2) and Slanting beams (H1) using Bolts (CC) and Flat washers (BB). Tighten the bolts.
- ❑ Attach the Big roof short side lower beams (W4) to the bottom of the Middle beams 2 (I2) and Slanting beams (H1) using Bolts (CC) and Flat washers (BB).
- ❑ Attach the Big roof long side lower beams (W3) to the bottom of the Middle beams 2 (I2) and Slanting beams (H1) using Bolts (CC) and Flat washers (BB).



NOTE: To avoid destroying the finish, do not put the parts on the ground directly.




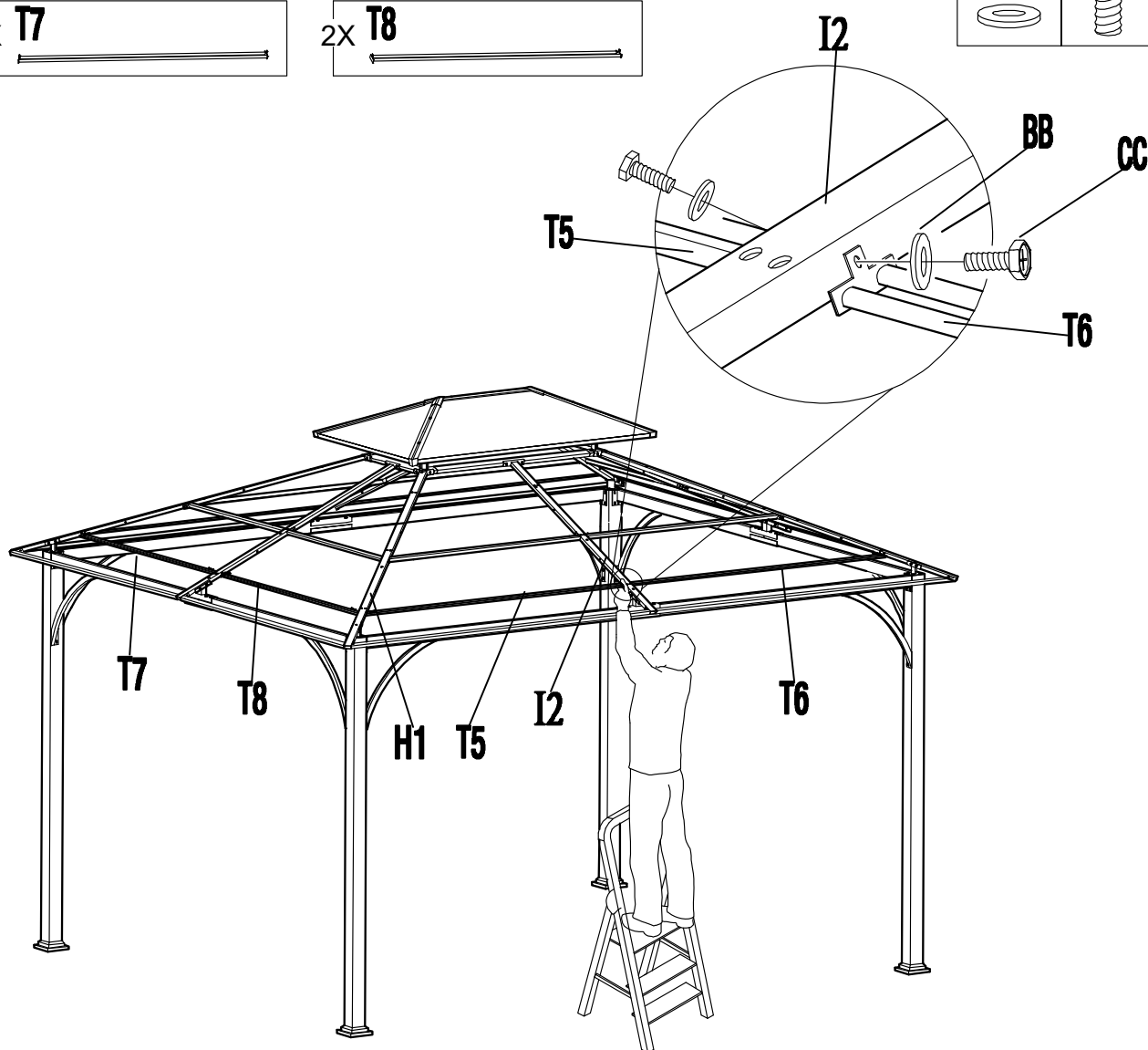
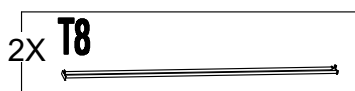
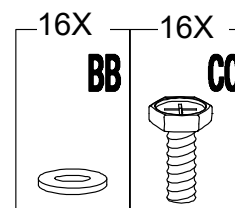
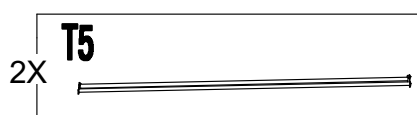
Country of Origin: China

Assembly

13 Attaching the Pipes

- Attach the Pipes (T5&T6&T7&T8) to the Middle beams 2 (I2) and Slanting beams (H1) using Bolts (CC) and Flat washers (BB).

 **NOTE:** To avoid destroying the finish, do not put the parts on the ground directly.



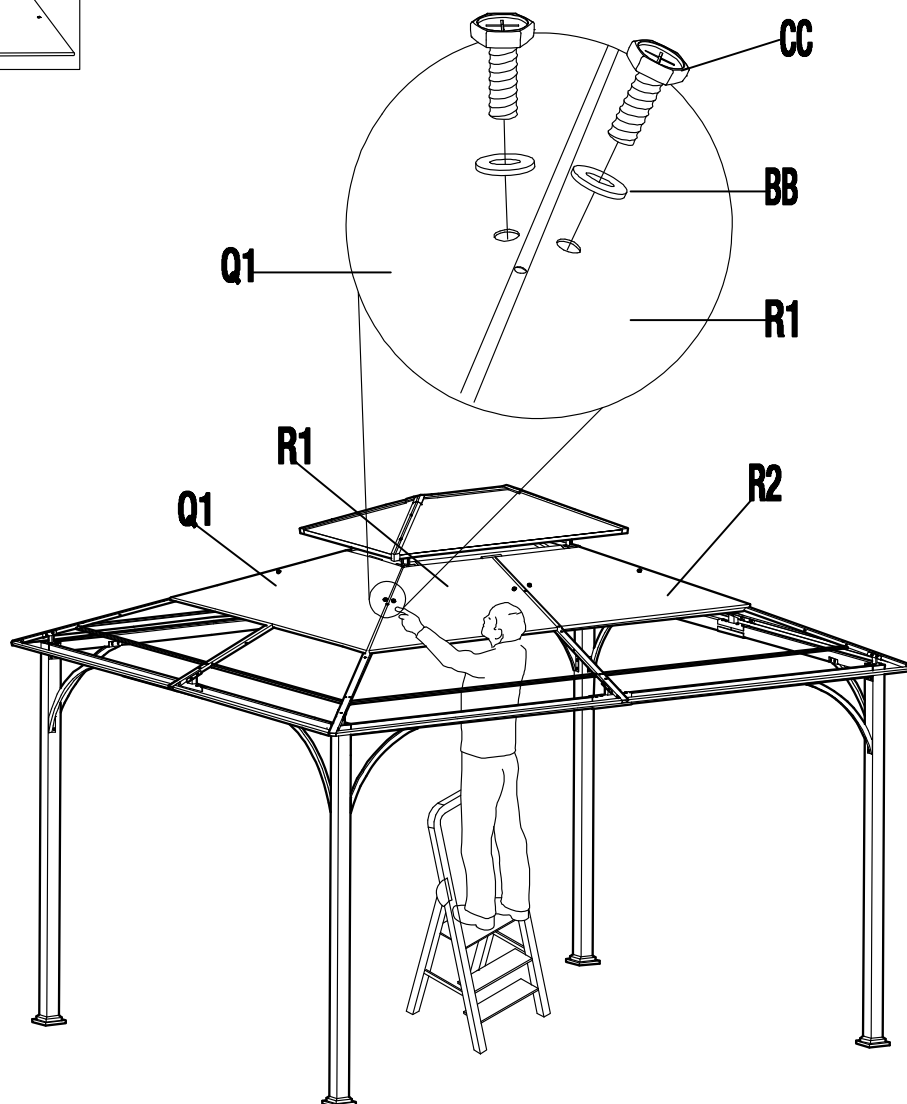
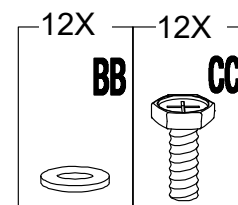
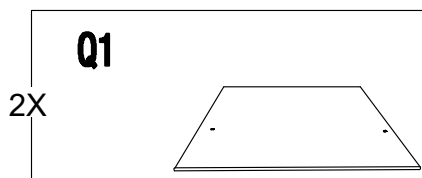
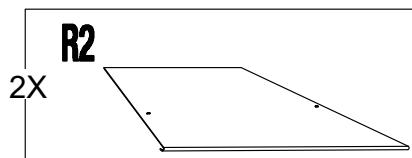
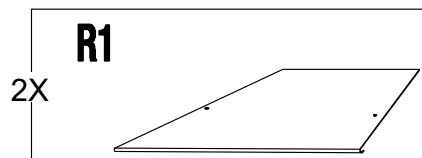
Assembly

14 Attaching the Big Roof Upper Panels

- Attach the Big roof panels (Q1, R1, R2) to the Slanting beams (H) and Middle beams (I) using Bolts (CC) and Flat washers (BB).



NOTE: To avoid destroying the finish, do not put the parts on the ground directly.



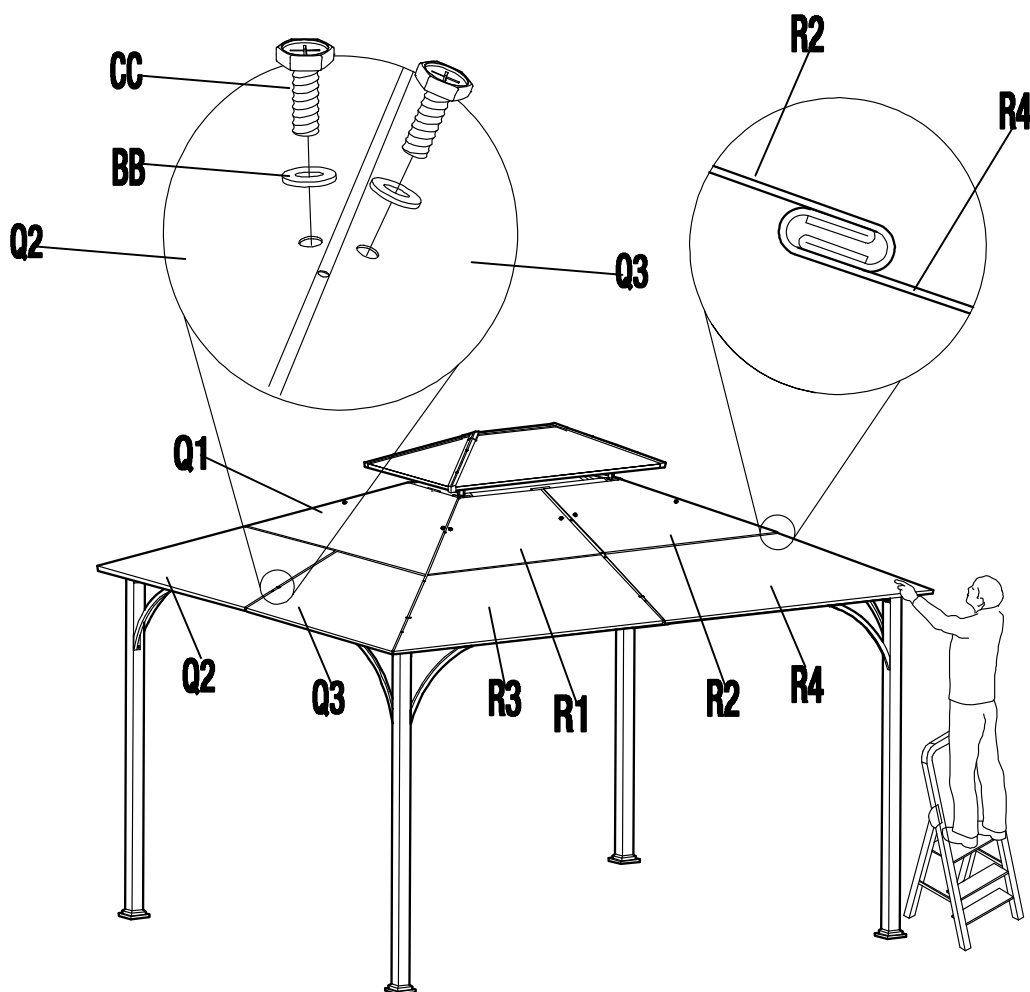
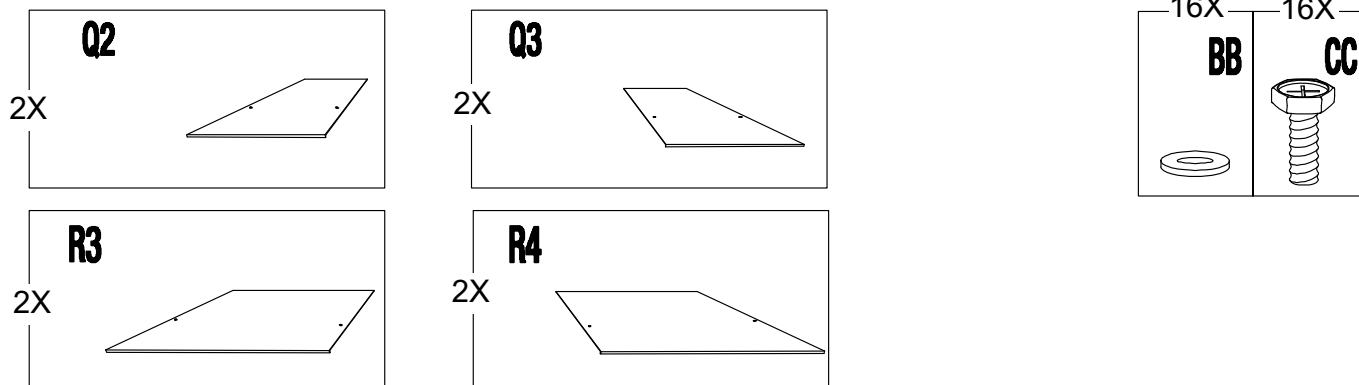
Assembly

15 Attaching the Big Roof Bottom Panels

- Attach the Big roof panels (Q2, Q3, R3, R4) to the Slanting beams (H) and Middle beams (I) using Bolts (CC) and Flat washers (BB).




NOTE: To avoid destroying the finish, do not put the parts on the ground directly.

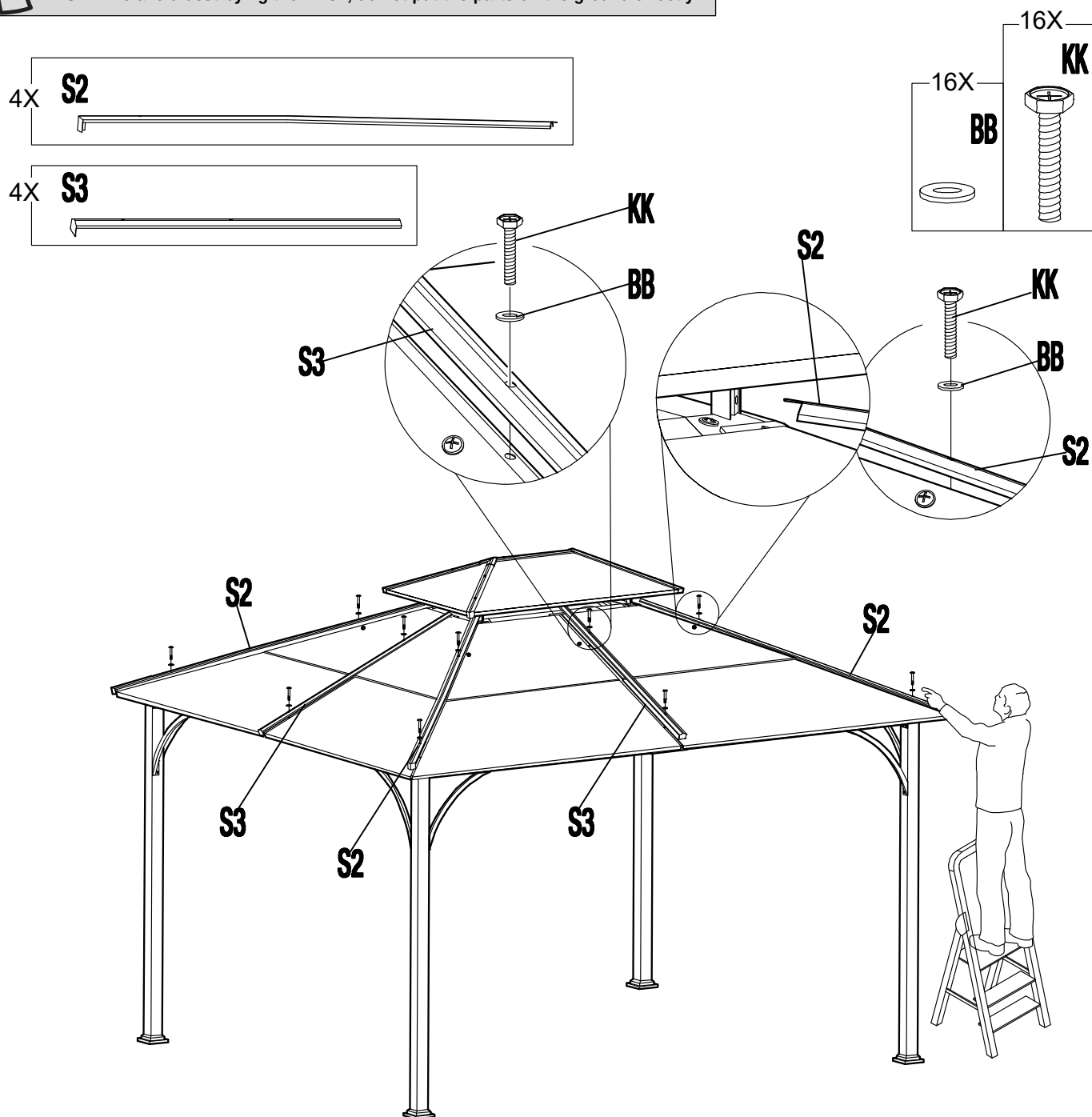


Assembly

16 Attaching the Slanting Beam Covers

- Attach the Slanting beam covers (S2) to the Slanting beams (H) using Bolts (KK) and Flat washers (BB). Repeat for the Middle beam covers (S3).

 **NOTE:** To avoid destroying the finish, do not put the parts on the ground directly.



Country of Origin: China

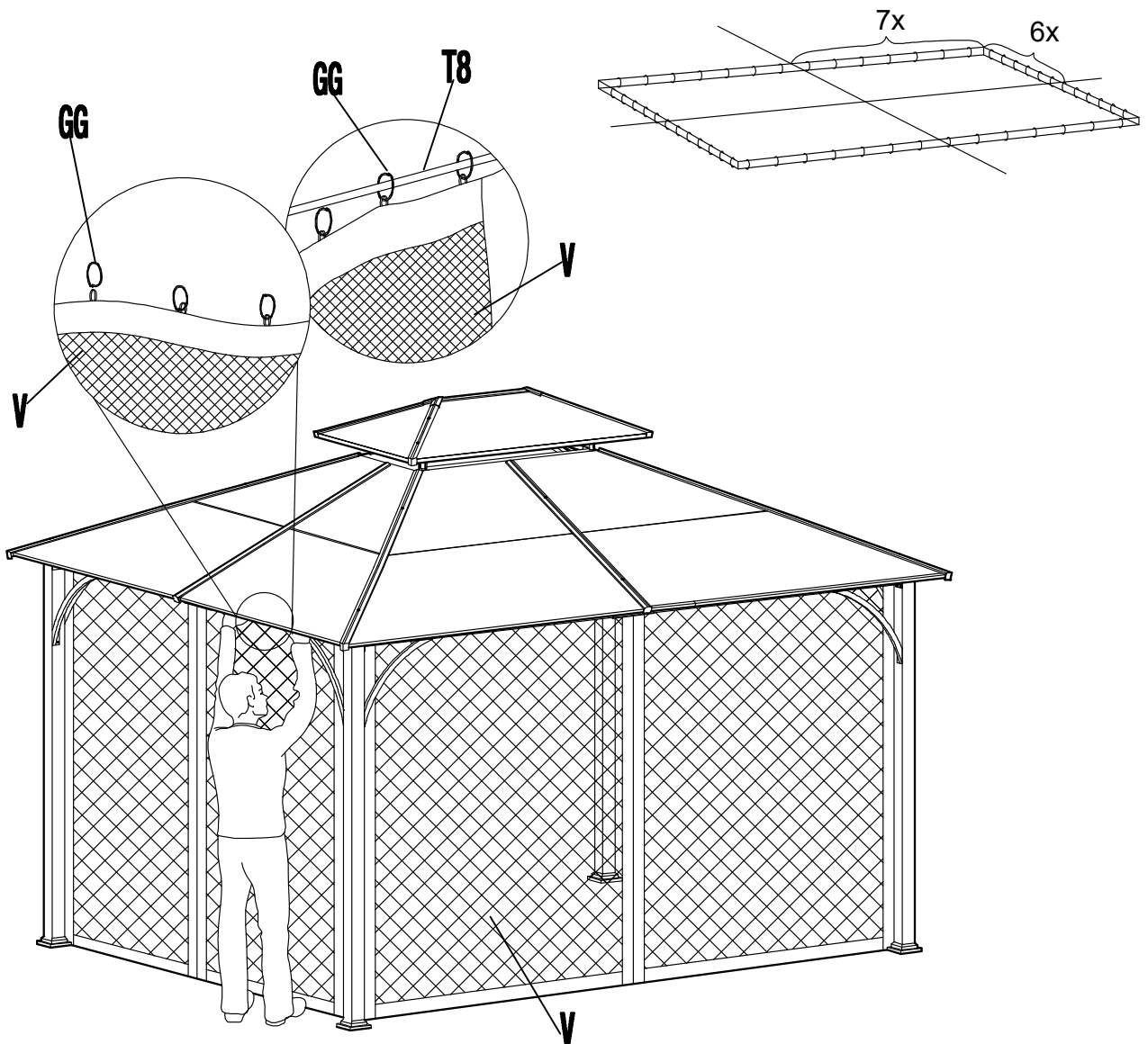
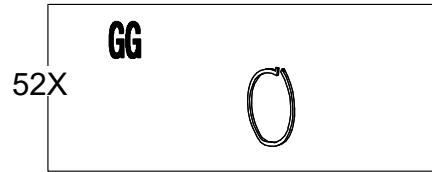
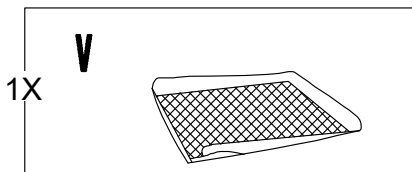
Assembly

17 Hanging the Mosquito Netting

- Hang the Mosquito netting (V) to the Pipes (T5, T6, T7, T8) using the Plastic rings (GG).



NOTE: To avoid destroying the finish, do not put the parts on the ground directly.



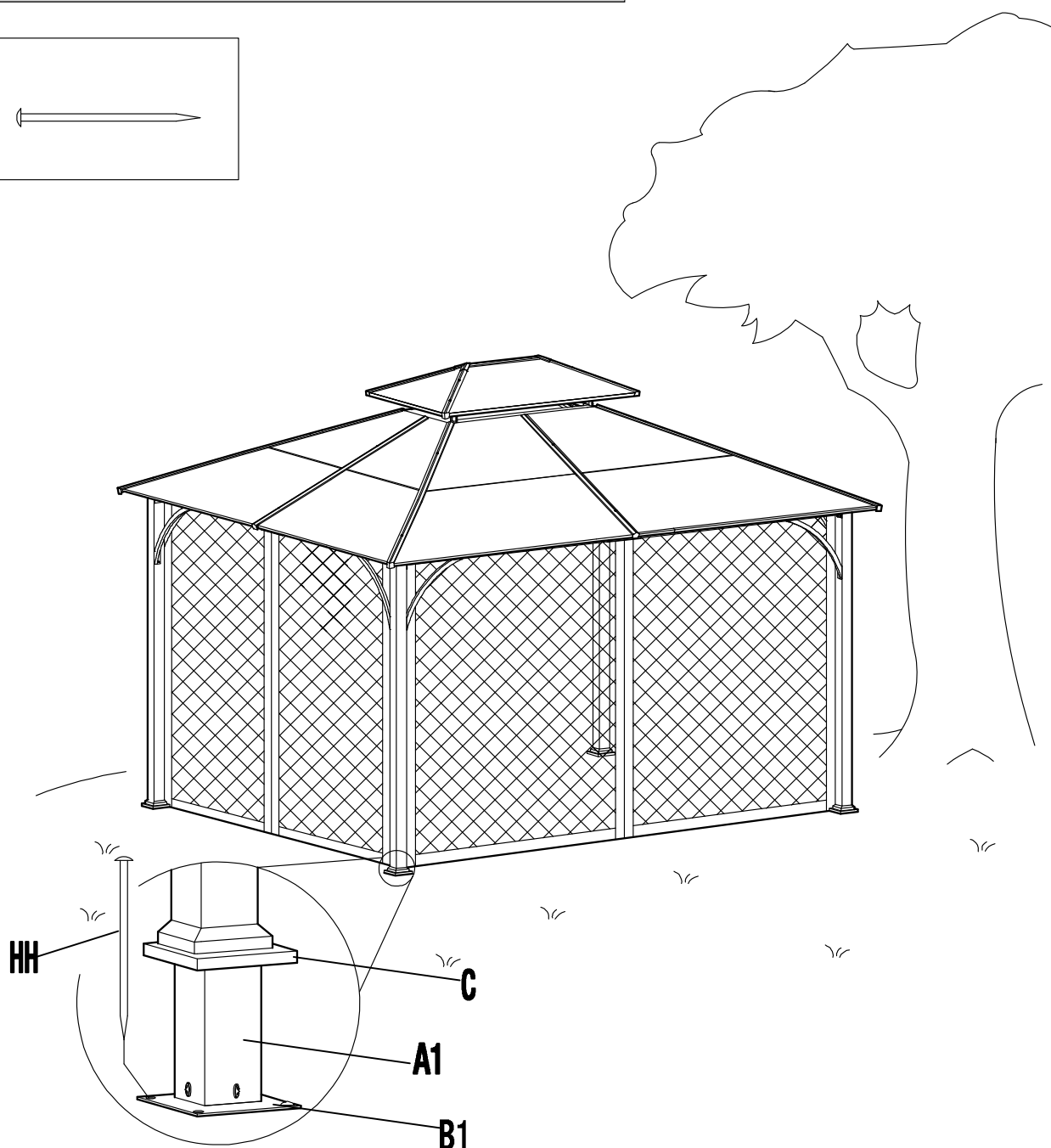
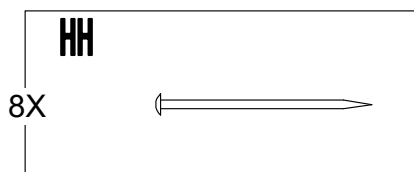
Montage

18 Finition du Montage

- Attach the assembled pergola to lawn with Stake (HH).



NOTE: To avoid destroying the finish, do not put the parts on the ground directly.



Country of Origin: China

Care and Maintenance

- Our steel components for garden accessories and furniture are treated with rust inhibiting paint that protects it from rusting. However, due to the nature of steel, surface oxidation (rusting) will occur once these protective coatings are scratched. This is not a defect and thus not covered by the warranty.
- To minimize this condition, we recommend care when assembling & handling the product to prevent scratching the paint. Should any scratching or damage occur, we recommend immediate touch-up with rust inhibiting paint.
- Surface rust can also be easily removed with a very light application of common cooking oil. If surface oxidation (rusting) occurs and if no measure is taken to prevent this, the oxidation may start dripping on to deck or patio and caused damaging stains, which may be difficult to remove. This can be prevented if the above-mentioned measures are taken to keep the product from oxidizing.
- Use damp cloth to wipe off the stains as quickly as possible.
- If necessary, wash with a mild solution of soap and water; rinse thoroughly and dry completely.
- Periodically check and ensure that all bolts are well-tighten during use

Limited Manufacturer's Warranty

Sunjoy Group warrants to the original purchaser that this item is free from defects in workmanship and materials for a period of **1 year** from the date of purchase, provided the item was factory-sealed at the time of purchase and is maintained with care and used only for personal, residential purposes. Should any manufacturing defect arise within this warranty period, Sunjoy Group will replace (at our option) any defective merchandise or parts upon proof of purchase; however, transportation and delivery costs, as well as payments to a third party for assembly or disassembly of the item, remain the responsibility of the purchaser. A purchaser of an "open box," previously-returned, or "clearance" item, as well as original purchasers outside of the warranty period, may obtain replacement parts from Sunjoy Group for products in current production, at nominal cost.

Exclusions

Items used for commercial, contract, or other non-residential purposes, or items damaged due to acts of nature, vandalism, misuse, or improper assembly are not covered. Corrosion or rusting of hardware is not covered. Proof of purchase (dated register receipt) is required for warranty claims. Warranty is to the original purchaser and is non-transferable. Any replacement of warranted items will be in the original style and color, or a similar style and color if the original is unavailable or has been discontinued. As some states do not allow exclusions or limitations on an implied warranty, the above exclusions and limitations may not apply. This warranty gives you specific rights, and you may also have other rights, which vary from state to state.