



LONGVIEW™

Adjustable Wall Pack



Beyond LED's LONGVIEW adjustable wall pack is the newest, most innovative and feature rich product of 2024. It offers four adjustable wattages and 3 adjustable CCT selection with energy-efficient LED technology. Our adjustable wall pack comes with Built-in photocell. LONGVIEW adjustable wallpack luminaires comes with die cast aluminum housings and a polycarbonate lens to stand up for many years of punishing environmental conditions.

Product Features

- Up to 130 Lumens per watt
- Wattage Adj. 40W / 60W / 80W / 100W
- CCT Adjustable 3000K / 4000K / 5000K
- Input Voltage 120-347VAC
- LED Type 2835
- Easy to install and operate
- Built-in Photocell
- 0-10V dimming
- Die Cast Aluminum Housing
- UL & DLC listed
- 5 Years warranty

LONGVIEW™

Adjustable Wall Pack



SKU #	Model #	Wattage Adjustable	Lumens	CCT Adjustable	Housing	Input Voltage	Photocell	Certifications
156836	WP17-100M-CSP-3CCT	40W/60W/ 80W/100W	Max 13000Lm	3K/4K/5K	Bronze	120V-347V	Built-in Photocell	UL

SKU: 156836 Specifications

Parameter	Description	Value
General Performance	Model #	WP17-100M-CSP-3CCT
	Wattage Adjustable	40W / 60W / 80W /100W
	Lumen	13000LM
	Lumen Efficacy	Up to 130LM/W
	Color Temperature	3000K / 4000K / 5000K
	CRI (Ra)	>80
	Beam Angle	90° Degree
	Lens Material	PC
Electrical	Input Voltage	120-347Vac
	Frequency	50/60Hz
	Dimming	0-10V
	Light Distribution	Type II
	Power Factor	≥0.9
	THD	<20%
	Flicker Percent	N/A
Physical	Driver Brand	Beyond LED Technology
	Driver Model	BQ-120D2
	Operating Temperature	-30°C TO 45°C
	Operating Humidity	RH:10%~95%
	Storage Temperature	-40°C TO 90°C
	Storage Humidity	RH:5%~95%
	LED Brand	Lumileds
	LED Type	2835
LED QTY	288PCS	
Qualification	Housing	Die-cast Aluminum
	Housing Color	Bronze
	IP Rating	IP65
	Warranty	5 Years

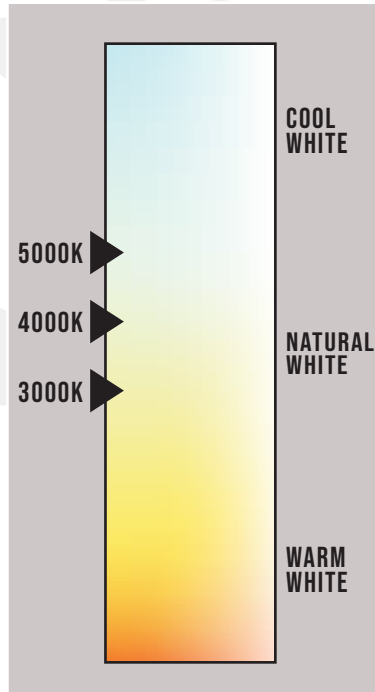
ADJUSTABLE WALL PACK



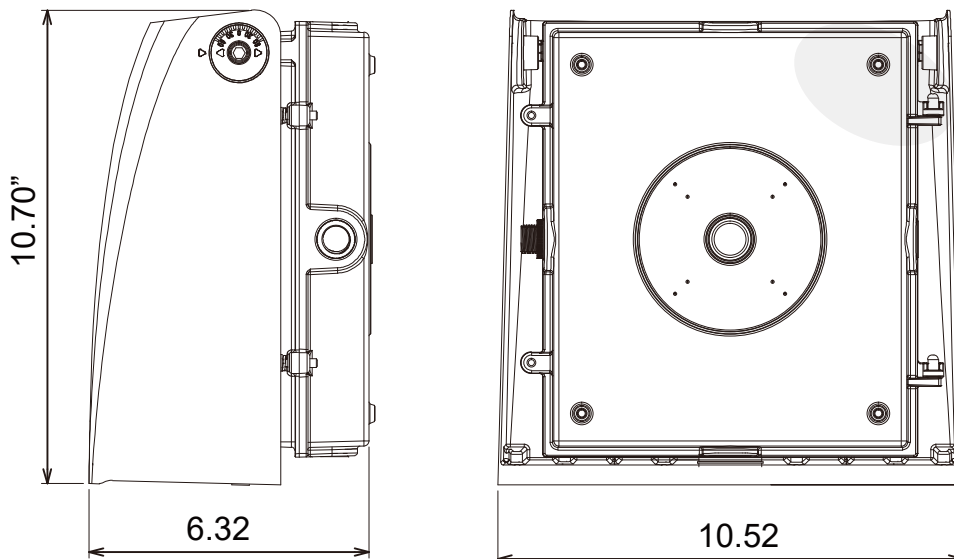
LONGVIEW™

Adjustable Wall Pack

Correlated Color Temperature (CCT)



Dimensions

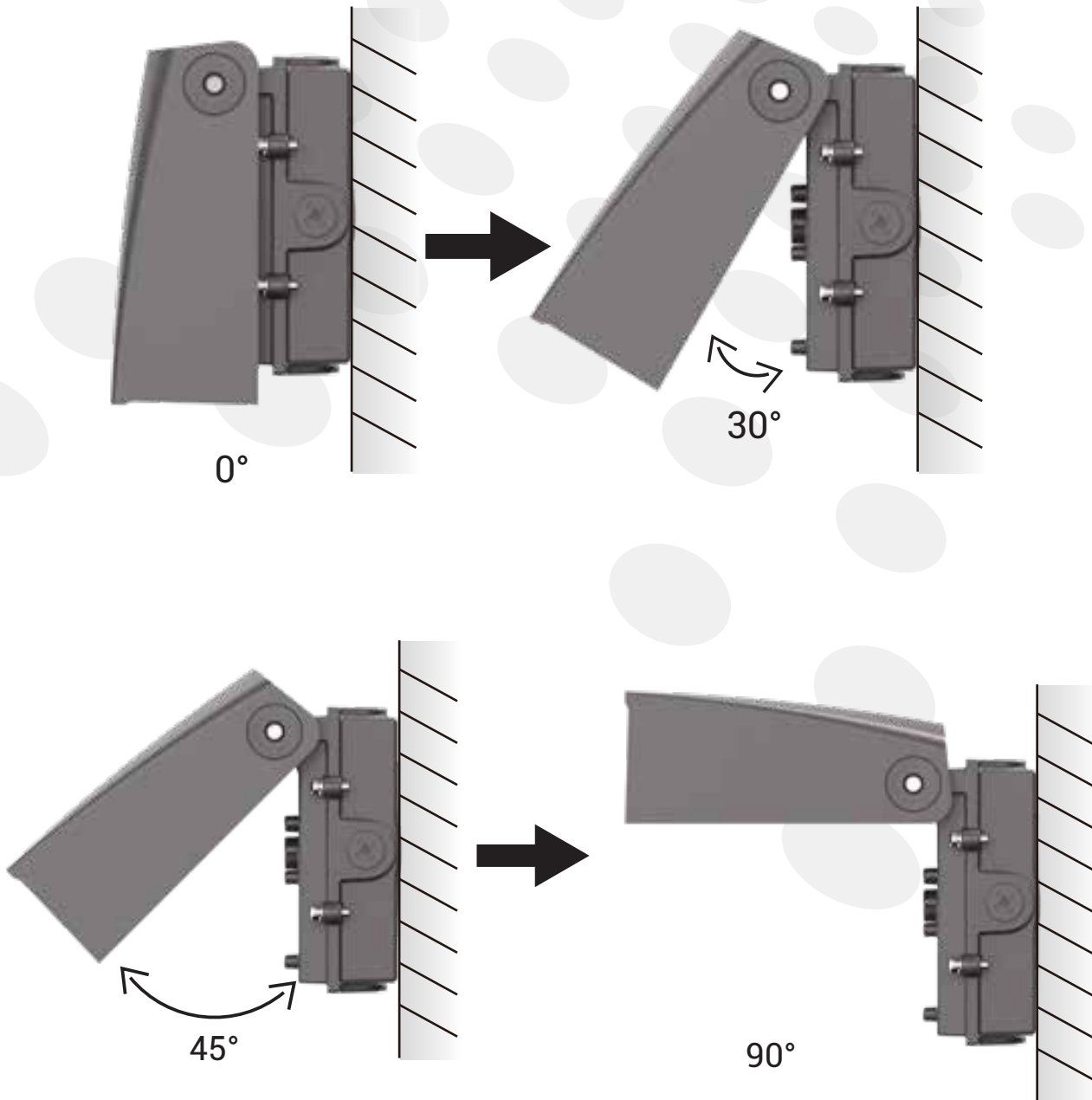


LONGVIEW™

Adjustable Wall Pack



Features



ADJUSTABLE WALL PACK



LONGVIEW™

Adjustable Wall Pack

Installation

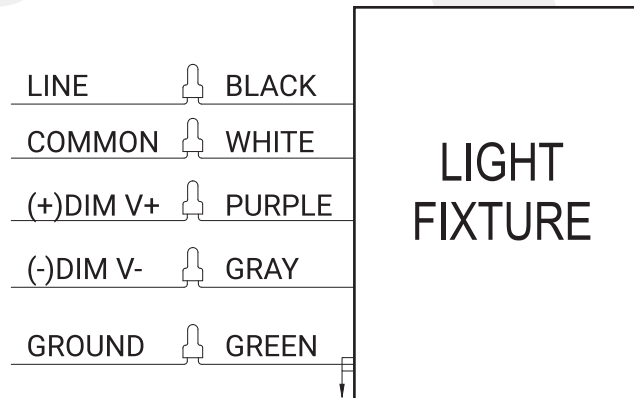
WIRING INSTRUCTION

WARNING: TURN OFF POWER BEFORE CONNECTING WIRES.

Black wire connect to L, White wire connect to N, Green wire connect to GROUND.

For 0-10V dimming, the wiring direction as below:

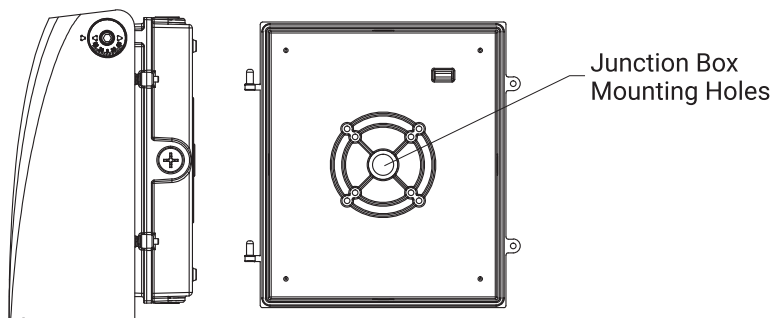
1. Turn off the power.
2. Connect the BLACK wire with the LINE.
3. Connect the WHITE wire with the COMMON.
4. Connect the GREEN wire with the GROUND. Caution: DO NOT connect the GRAY (-)DIM V- wire with GROUND.
5. Connect the PURPLE wire with the (V+) DIM.
6. Connect the GARY wire with the (V—) DIM



INSTALLATION

Tools: Phillips head screw driver and electrical wiring tools.

The fixture must be mounted on the wall with lens facing down as shown with picture



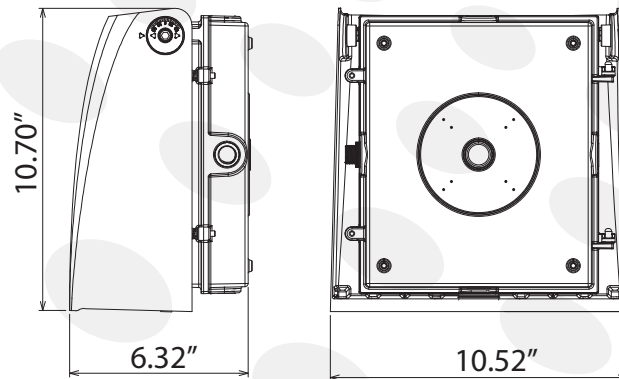
LONGVIEW™

Adjustable Wall Pack



Installation

Dimensional Drawing



Safety Instruction

- This fixture must be wired in accordance with the international electrical code and applicable local codes and ordinances.
- Proper grounding is required to insure personal safety. Carefully observe the correct grounding procedure under installation section.
- Make sure power off before installing or maintaining fixture.
- Check that voltage is compatible with fixture driver, use approved connectors for all electrical connections.

**IMPORTANT: READ CAREFULLY BEFORE INSTALLING FIXTURE.
RETAIN FOR FUTURE REFERENCE.**

Cleaning

1. Before touching fixture, make sure the fixture is cooling.
2. Do not clean or maintain while fixture is energized.
3. Clean lens & fixture with non-abrasive glass cleaning solution.
4. Do not open fixture to clean and touch LED chips.

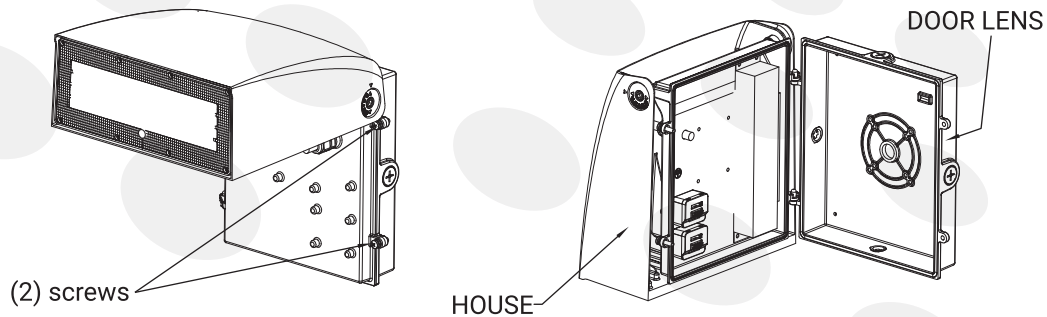


LONGVIEW™

Adjustable Wall Pack

Installation

1. Unscrew door with screwdriver by loosening (2) screws. Confirm junction box size and junction box mounting provisions to that of the light fixture.
2. Attach the light fixture to the junction box or mounting surface.
3. Attach the appropriate wires to the light fixture wires, green to green, black to black and white to white. Secure each wire pair with a wire nut. (Wiring instruction FYI.)
4. Close the door and tighten (2) screws on the door lens. Nothing should be trapped in the gasket sealing area when the door is closed.



Maintenance Caution

1. Review the diagrams before beginning, and make sure the fixture is grounded properly.
2. Turn the power off and wait for fixture cooling to operate.
3. This fixture has to be installed or maintenance in accordance with the application code by a professional person who familiar with the construction and operation of the product and the hazards involved.

Warranty

5-YEAR WARRANTY.

If this product fail to perform satisfactorily due to defect or poor workman-ship within five years from the date of purchase, return it to the place of purchase and it will be replaced, free of charge. Incidental or consequential damages are excluded from the warranty.

Packaging

SKU	Box Dimension	Qty	Net Weight	Gross Weight
156836	13.19 x 12.28 x 7.68	1 Pc/Box	5.7 LBS	7.2 LBS

LONGVIEW™

Adjustable Wall Pack



Application Image



ADJUSTABLE WALL PACK

Warranty

5 Years Warranty