



KT-ABOLT-XSQ-K1

ANCHOR BOLTS

DESCRIPTION

Includes (4) high tensile steel anchor bolts, (8) carbon steel grade IS 2062 E250 anchor bolt nuts, (8) carbon steel grade IS 2062 E250 anchor bolt plane washers, and (4) carbon steel grade IS 2062 E250 anchor bolt spring washers.

FEATURES

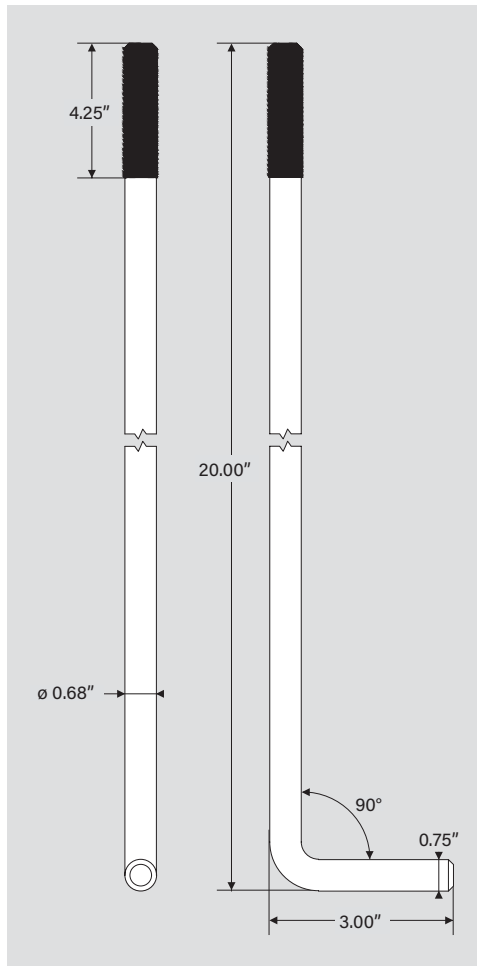
Anchor bolts are fabricated from high tensile steel and are "L" formed bars having a minimum yield strength of 55,000 P.S.I. The bolts are fully galvanized as per ASTM A153 specifications and finished complete with 2 hex nuts and 2 flat washers and 1 spring washer.



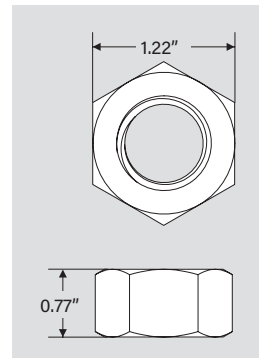
PHYSICAL SPECIFICATIONS

KT-ABOLT-4SQ-K1

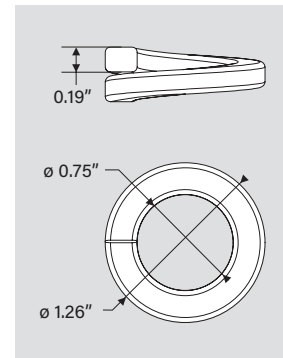
ANCHOR BOLT



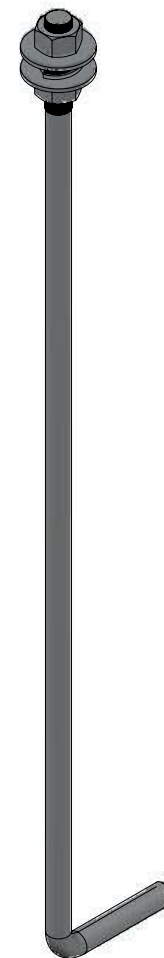
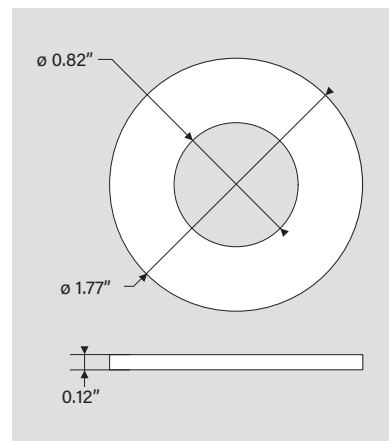
ANCHOR BOLT NUT



ANCHOR BOLT SPRING WASHER



ANCHOR BOLT PLANE WASHER

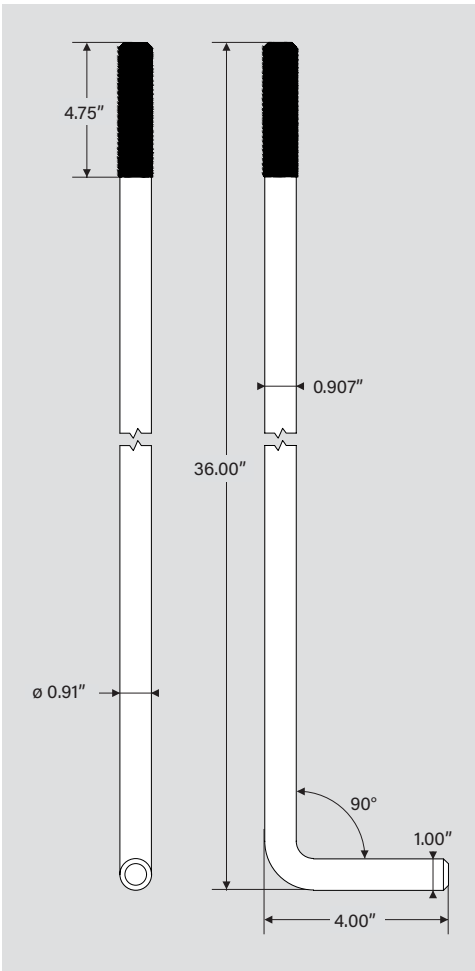


KT-ABOLT-XSQ-K1

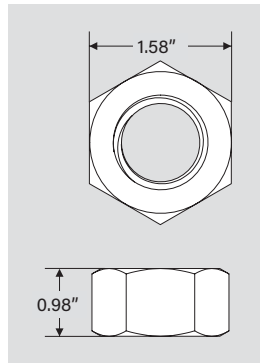
ANCHOR BOLTS

PHYSICAL SPECIFICATIONS

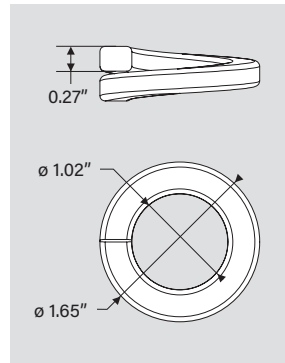
KT-ABOLT-5SQ-K1
ANCHOR BOLT



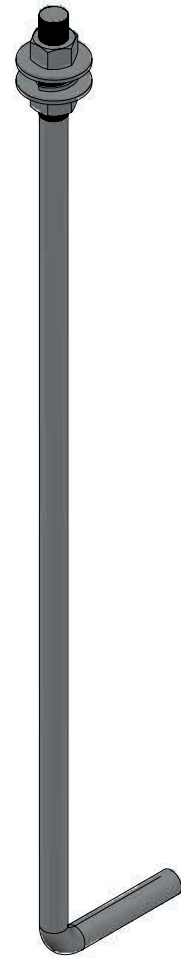
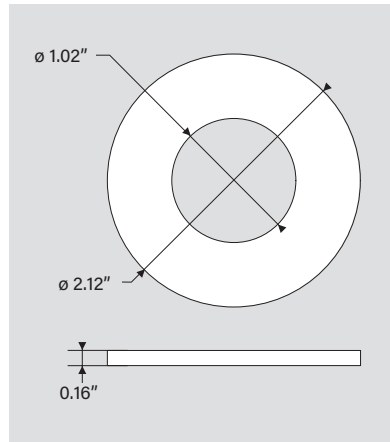
ANCHOR BOLT NUT



ANCHOR BOLT SPRING WASHER



ANCHOR BOLT PLANE WASHER



ORDERING INFORMATION

Order Code	UPC	EASY CODE
KT-ABOLT-4SQ-K1	843654138053	ARO-13
KT-ABOLT-5SQ-K1	843654138060	NCI-73



KT-ABOLT-XSQ-K1

ANCHOR BOLTS

CATALOG NUMBER BREAKDOWN

KT-ABOLT-XSQ-K1

- 1
- 2
- 3
- 4
- 5

- 1 Keystone Technologies
- 2 Anchor Bolt
- 3 Size
- 4 Square
- 5 Kit

3 Size	
4	4"
5	5"