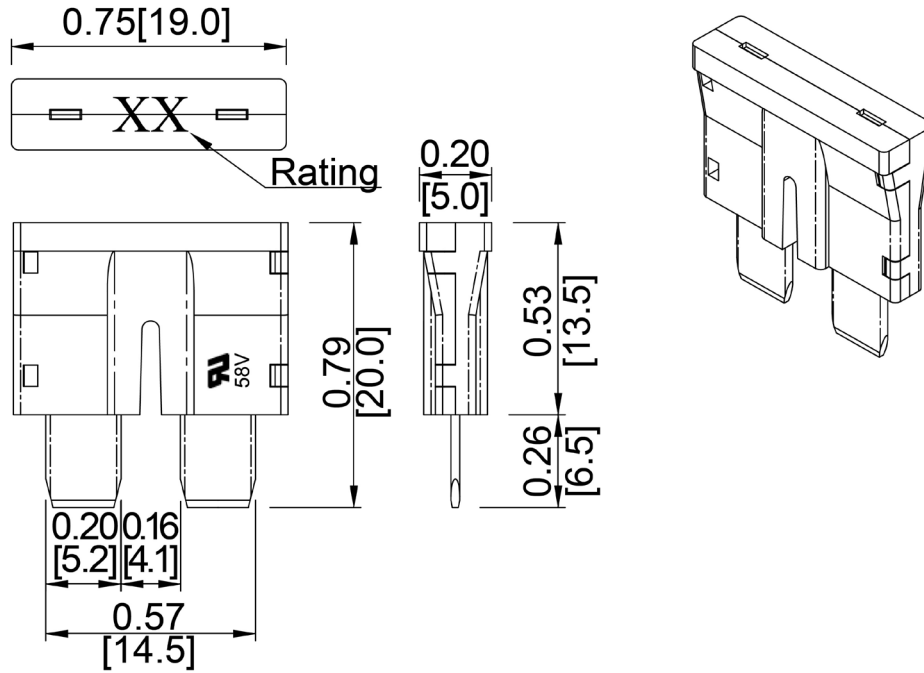


Mechanical Dimensions: Inches [mm]

Tolerances ± 0.012 [0.3] Unless Otherwise Specified



Part Numbers Information

Amperage	Body Color	Bulk Part #	Voltage Drop	Cold Resistance (mΩ)	I ² T
500mA	Dark Blue	APR58-UL-500mA	150mV	290	0.3
1A	Black	APR58-UL-1A	125mV	100	2.3
2A	Gray	APR58-UL-2A	120mV	43	9.6
3A	Violet	APR58-UL-3A	110mV	30	16.2
4A	Pink	APR58-UL-4A	110mV	22	36.8
5A	Tan	APR58-UL-5A	110mV	16	62.5
6A	Light Red	APR58-UL-6A	-	-	-
7A	Light Orange	APR58-UL-7A	-	-	-
7.5A	Brown	APR58-UL-7.5A	90mV	9	73.1
8A	Light Yellow	APR58-UL-8A	-	-	-
10A	Red	APR58-UL-10A	90mV	6.5	210
12A	Light Pink	APR58-UL-12A	-	-	-
15A	Blue	APR58-UL-15A	90mV	4	270
16A	Light Green	APR58-UL-16A	-	-	-
20A	Yellow	APR58-UL-20A	90mV	3	360
25A	Clear	APR58-UL-25A	80mV	1.9	813
30A	Green	APR58-UL-30A	80mV	1.65	1530
35A	Blue Green	APR58-UL-35A	70mV	145	1960
40A	Orange	APR58-UL-40A	70mV	1.25	3200

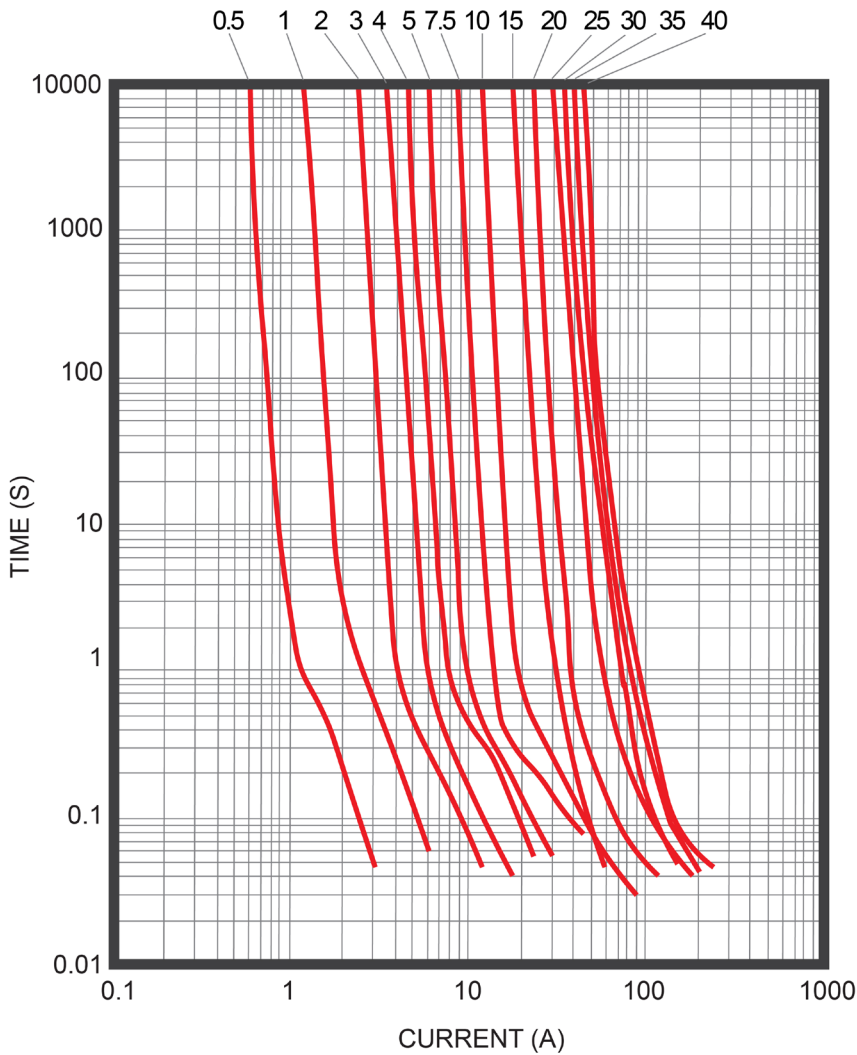
Electrical Specifications

Voltage Rating	58VDC
Interrupting Rating	1000A @ 58VDC
Standards	(Meets UL 248-1 Special Purpose Fuse requirements)

Material Specifications

Body Material	PET
Terminal Material	Copper Alloy, Tin Plated

Time vs Percent of Rated Current



% of Rated Current	Min Hold Time	Max Hold Time
100%	Carry (35A ~ 40A)	-
110%	Carry (500mA~30A)	-
135%	750ms	3600s
200%	150ms	60s
350%	40ms	1s
600%	10ms	100ms

Rev **Date of issue** **Revision Notes**

Designed **Approved**

Rev	Date of issue	Revision Notes	Designed	Approved
E	10-14-2025	Updated Mechanical Dimen	RC	OF