



CROSS™ Corncob Bulb



SKU #	DLC Model #
156814	AST-CLW08C-36WBCNA1-EXSPCA30/40/50K
156815	AST-CLW08C-63WBCNA1-EXSPCA30/40/50K
156768	AST-CLW08C-120WBCNA1-EXSPCA30/40/50K
156816	AST-CLW08C-200WBCNA1-EXSPCA30/40/50K

Beyond LED Technology's CROSS LED Corncob Bulbs are the most advanced and energy-efficient corn bulbs of 2024. Designed for fully enclosed fixtures, these wattage-adjustable bulbs provide a high-lumen output while significantly reducing energy consumption compared to traditional metal halide and high-pressure sodium lights. This is a retrofit model that significantly reduces labor costs. Instead of replacing the entire fixture, simply open the old light and replace it with the CROSS bulb—quick, easy, and cost-effective. Ideal for post-top lights, shoebox fixtures, and other high-intensity lighting applications, CROSS ensures reliable performance with a durable Aluminum+PC housing and IP64 dust-proof rating for long-lasting use.

Product Features

- Up to 142 lm/W
- Adjustable Wattage
- Adjustable CCT
- 0-10V Dimmable
- High-reliability internal driver
- White housing
- Input Voltage 100-277VAC
- UL & DLC listed
- 5-year warranty

CROSS™

Corncob Bulb



SKU	ADJ. WATT	MAX LUMENS	ADJ. CCT	INPUT VOLTAGE	CRI	LIGHT SPREAD	CONSTRUCTION	BASE	DIMMING	IP RATING	CERTIFICATIONS
156814	18W/27W/36W	5112	3K/4K/5K	100-277V	>80	193°	Aluminum+PC Lens	E26	0-10V	IP64	UL & DLC
156815	36W/54W/63W	8946	3K/4K/5K	100-277V	>80	189°	Aluminum+PC Lens	EX39	0-10V	IP64	UL & DLC
156768	80W/100W/120W	17040	3K/4K/5K	100-277V	>80	150°	Aluminum+PC Lens	EX39	0-10V	IP64	UL & DLC
156816	80W/150W/200W	28400	3K/4K/5K	100-277V	>80	182.5°	Aluminum+PC Lens	EX39	0-10V	IP64	UL & DLC



Optional E39 to E26



151060



CROSS™

Corncob Bulb

SKU: 156814

Specifications

Parameter	Description	Value
General Performance	Model #.	AST-CLW08C-36WBCNA1-EXSPCA30/40/50K
	Adjustable Watt	18W / 27W / 36W
	Color Temperature	3000K / 4000K / 5000K
	Max Lumens	5112
	Lumen Efficacy	Up to 142 LM/W
	CRI (Ra)	>80
	Diffuser Type	Clear
Electrical	Light Spread	193°
	Input Voltage	100-277V
	Frequency	50/60Hz
	Dimming	0-10V Dimmable
	PF	≥0.9
	THD	≤20%
	Flicker Percent	<50%
Physical	Equivalent	80W CFL, 150W MHL/HPS/HID
	Driver Surge Protection	L-N: 4kV
	Operating Temperature	-40°C TO 50°C
	Storage Temperature	-40°C TO 80°C
	Operating Humidity	20% - 70% RH
	Storage Humidity	10% - 75% RH
	LED Brand	Lumileds
	LED Type	SMD2835
	LEDs QTY	144 PCS
	Construction	PC + Aluminum
Qualification	Housing Color	White
	IP Rating	IP64
	Warranty	5 Year

CORNCOB BULB

CROSS™

Corncob Bulb



SKU: 156815

Specifications

Parameter	Description	Value
General Performance	Model #.	AST-CLW08C-63WBCNA1-EXSPCA30/40/50K
	Adjustable Watt	36W / 54W / 63W
	Color Temperature	3000K / 4000K / 5000K
	Max Lumens	8946
	Lumen Efficacy	Up to 142 LM/W
	CRI (Ra)	>80
	Diffuser Type	Clear
Electrical	Light Spread	189°
	Input Voltage	100-277V
	Frequency	50/60Hz
	Dimming	0-10V Dimmable
	PF	≥0.9
	THD	≤20%
	Flicker Percent	<50%
Physical	Equivalent	120W CFL, 175W MHL/HPS/HID
	Driver Surge Protection	L-N: 4kV
	Operating Temperature	-40°C TO 50°C
	Storage Temperature	-40°C TO 80°C
	Operating Humidity	20% - 70% RH
	Storage Humidity	10% - 75% RH
	LED Brand	Lumileds
	LED Type	SMD2835
	LEDs QTY	272 PCS
	Construction	PC + Aluminum
Qualification	Housing Color	White
	IP Rating	IP64
	Warranty	5 Year

CORNCOB BULB



CROSS™

Corncob Bulb

SKU: 156768

Specifications

Parameter	Description	Value
General Performance	Model #.	AST-CLW08C-120WBCNA1-EXSPCA30/40/50K
	Adjustable Watt	80W / 100W / 120W
	Color Temperature	3000K / 4000K / 5000K
	Max Lumens	17040
	Lumen Efficacy	Up to 142 LM/W
	CRI (Ra)	>80
	Diffuser Type	Clear
Electrical	Light Spread	150°
	Input Voltage	120-277V
	Frequency	50/60Hz
	Dimming	0-10V Dimmable
	PF	≥0.9
	THD	≤20%
	Flicker Percent	<5%
Physical	Equivalent	200W CFL, 400W MHL/HPS/Hi
	Driver Surge Protection	L-N: 6kV
	Operating Temperature	-40°C TO 50°C
	Storage Temperature	-40°C TO 80°C
	Operating Humidity	20% - 70% RH
	Storage Humidity	10% - 75% RH
	LED Brand	Lumileds
	LED Type	SMD2835
	LEDs QTY	494 Pcs
	Construction	PC + Aluminum
Qualification	Housing Color	White
	IP Rating	IP64
	Warranty	5 Year

CORNCOB BULB

CROSS™

Corncob Bulb



SKU: 156816

Specifications

Parameter	Description	Value
General Performance	Model #.	AST-CLW08C-200WBCNA1-EXSPCA30/40/50K
	Adjustable Watt	80W / 150W / 200W
	Color Temperature	3000K / 4000K / 5000K
	Max Lumens	28400
	Lumen Efficacy	Up to 142 LM/W
	CRI (Ra)	>80
	Diffuser Type	Clear
Electrical	Light Spread	182.5°
	Input Voltage	100-277V
	Frequency	50/60Hz
	Dimming	0-10V Dimmable
	PF	≥0.9
	THD	≤20%
	Flicker Percent	<30%
Physical	Equivalent	600W MHL/HPS/HID
	Driver Surge Protection	L-N: 6kV
	Operating Temperature	-40°C TO 50°C
	Storage Temperature	-40°C TO 80°C
	Operating Humidity	20% - 70% RH
	Storage Humidity	10% - 75% RH
	LED Brand	Lumileds
	LED Type	SMD2835
	LEDs QTY	455 Pcs
	Construction	PC + Aluminum
Qualification	Housing Color	White
	IP Rating	DAMP Location
	Warranty	5 Year

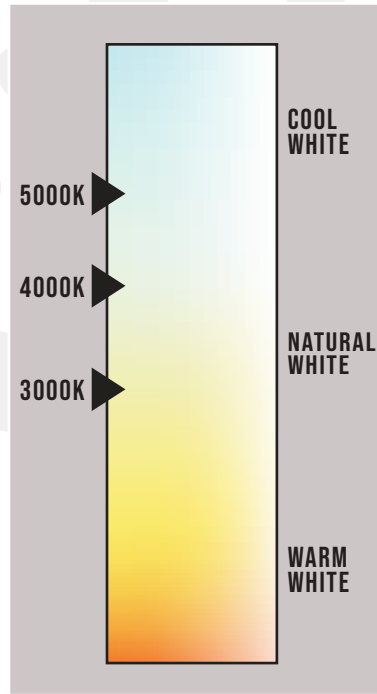
CORNCOB BULB



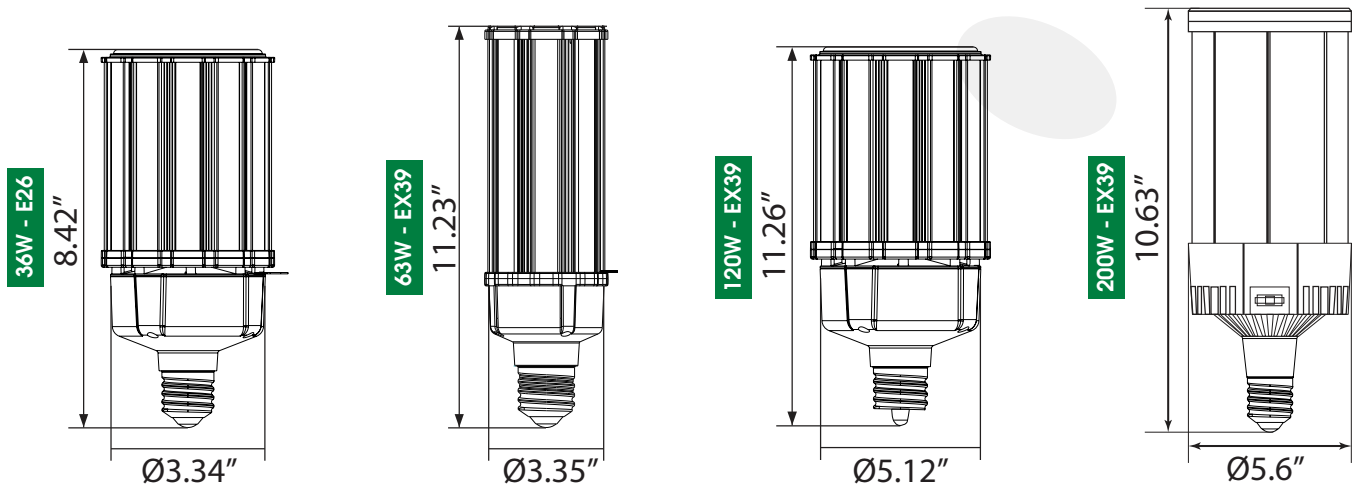
CROSS™

Corncob Bulb

Correlated Color Temperature (CCT)



Dimensions



CROSS™ Corncob Bulb



SKU: 156814 Light Distribution Testing Parameters

Remark: The testing data comes from the product in luminaires.

Luminaire Property

Luminaire Manufacture:
Luminaire Category:
Lamp Catalog:
Number of Lamps:
Luminous Length (mm):
Luminous Height (mm):
Current: 0.285 A
Power Factor: 0.985

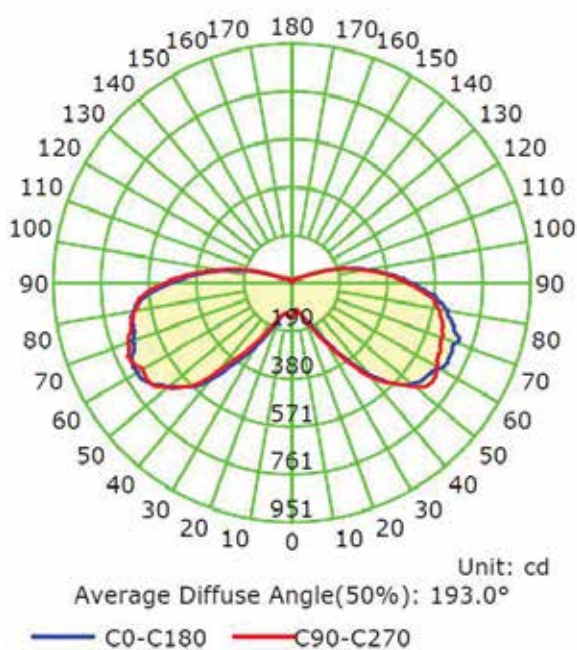
Luminaire Description:
Lamp Description:
Luminous of Lamps:
Luminous Width (mm):
Voltage: 120.0 V
Power: 33.72 W

Photometric Results

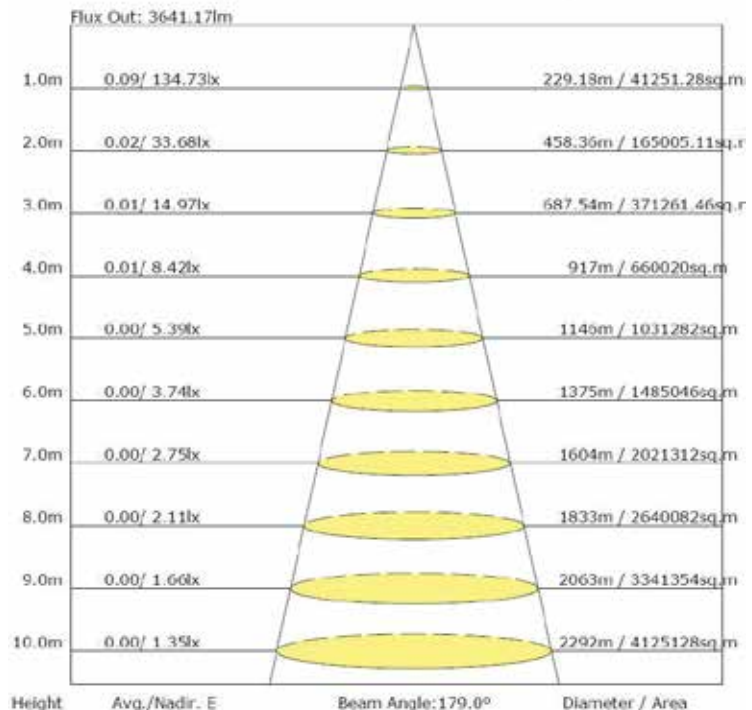
IES Classification: Type I
Total Rated Lamp Lumens: 4203.3 lm
Efficiency: 100%
Upward Ratio: 21%
C0r0 Intensity: 134.73 cd
Pos of Max. Intensity: H315 V71

Longitudinal Classification: Short
Measurement Flux: 4203.3 lm
Downward Ratio: 79%
Luminaire Efficacy Rating (LER): 124.70
Max. Intensity: 761.39 cd

Luminous Intensity Distribution Curve



The Average Illuminance Effective Figure





CROSS™

Corncob Bulb

SKU: 156815 Light Distribution Testing Parameters

Remark: The testing data comes from the product in luminaires.

Luminaire Property

Luminaire Manufacture:
 Luminaire Category:
 Lamp Catalog:
 Number of Lamps:
 Luminous Length (mm):
 Luminous Height (mm):
 Current: 0.530 A
 Power Factor: 0.992

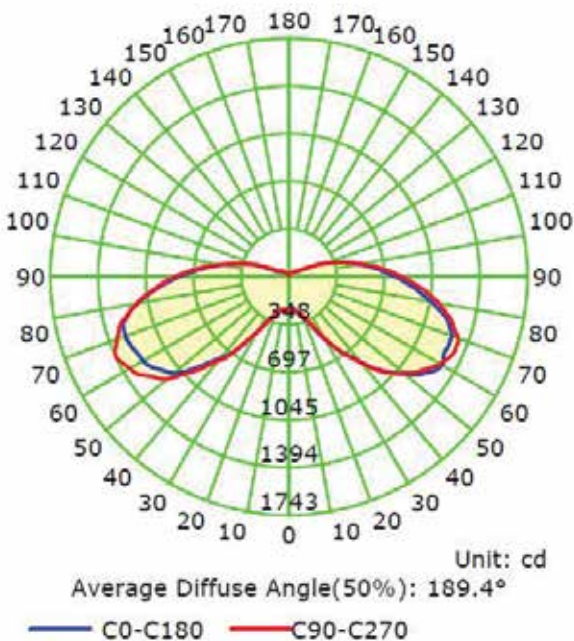
Luminaire Description:
 Lamp Description:
 Luminous of Lamps:
 Luminous Width (mm):
 Voltage: 120.0 V
 Power: 63.08 W

Photometric Results

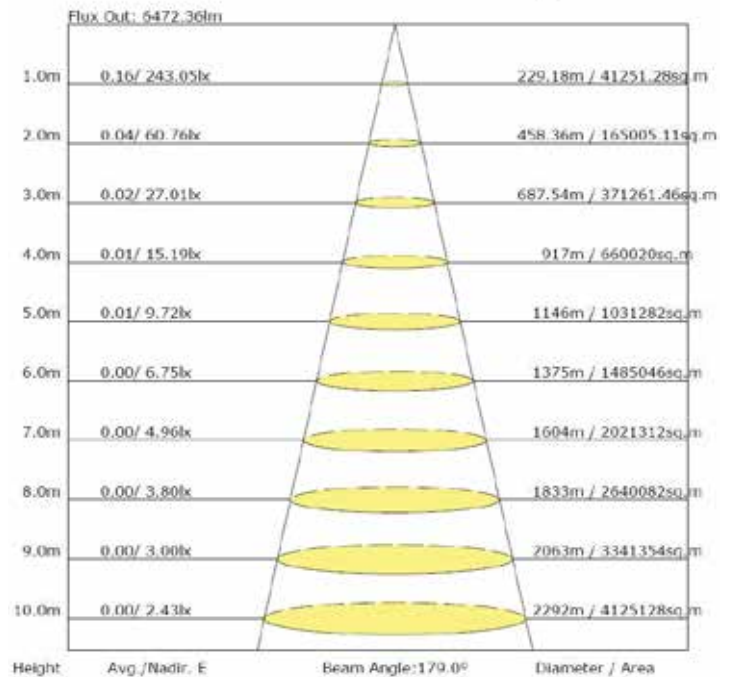
IES Classification: Type I
 Total Rated Lamp Lumens: 7603.6 lm
 Efficiency: 100%
 Upward Ratio: 20%
 C0r0 Intensity: 243.05 cd
 Pos of Max. Intensity: H270 V65

Longitudinal Classification: Very Short
 Measurement Flux: 7603.6 lm
 Downward Ratio: 80%
 Luminaire Efficacy Rating (LER): 120.59
 Max. Intensity: 1394.54 cd

Luminous Intensity Distribution Curve



The Average Illuminance Effective Figure



CROSS™ Corncob Bulb



SKU: 156768 Light Distribution Testing Parameters

Remark: The testing data comes from the product in luminaires.

Luminaire Property

Luminaire Manufacture:
Luminaire Category:
Lamp Catalog:
Number of Lamps:
Luminous Length (mm):
Luminous Height (mm):
Current: 1.017 A
Power Factor: 0.993

Luminaire Description:
Lamp Description:
Luminous of Lamps:
Luminous Width (mm):
Voltage: 120.0 V
Power: 121.21 W

Photometric Results

CIE Class: Direct

Measurement Flux: 14835.9 lm

Downward Ratio: 97%

Field Angle(C0/C180,C90/C270,C45/C225,C135/315) : 191.3, 191.4, 191.9, 190.7

Beam Angle(C0/C180,C90/C270,C45/C225,C135/315) : 146.9, 148.3, 148.1, 145.7

Luminaire Efficacy Rating (LER) : 122.45

Max. Intensity : 3660.22 cd

S/MH(C0/C180) : 2.66

Total Rated Lamp Lumens: 14835.9 lm

Efficiency: 100%

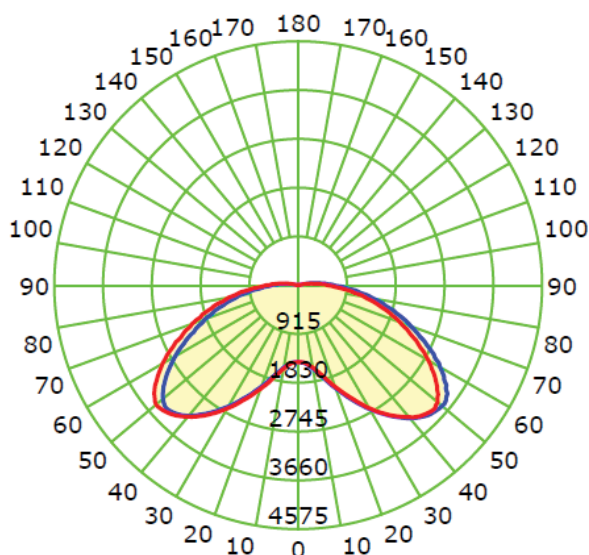
Upward Ratio: 3%

C0r0 Intensity: 1442.33 cd

Pos of Max. Intensity: H315 V52

S/MH(C90/C270) : 2.66

Luminous Intensity Distribution Curve

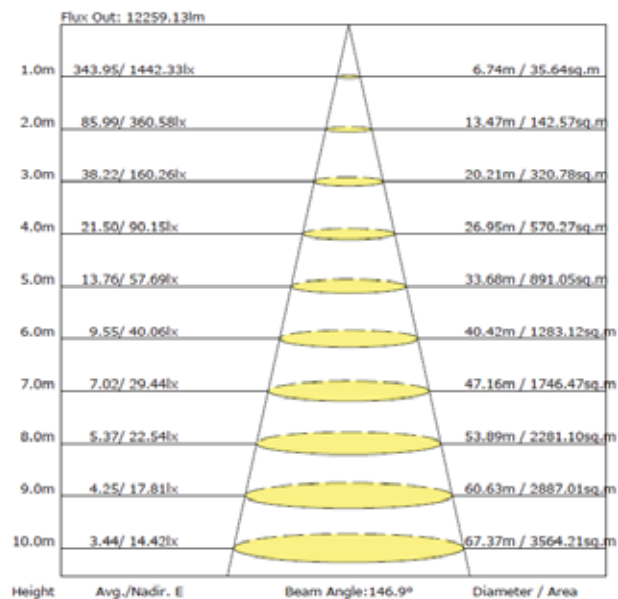


Unit: cd

Average Diffuse Angle(50%): 147.6°

— C0-C180 — C90-C270

The Average Illuminance Effective Figure





CROSS™

Corncob Bulb

SKU: 156816 Light Distribution Testing Parameters

Luminaire Property

Luminaire Manufacturer:
 Luminaire Category:
 Lamp Catalog:
 Number of Lamps:
 Luminous Length (mm):
 Luminous Height (mm):
 Current: 0.133 A
 Power Factor: 0.904

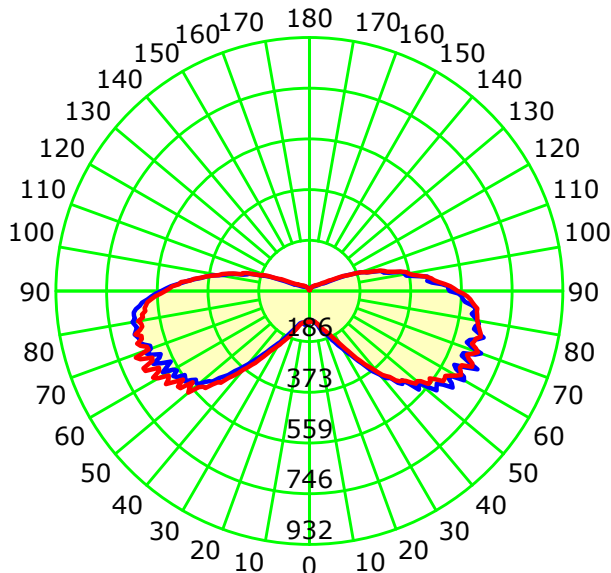
Luminaire Description:
 Lamp Description:
 Lumens per Lamp:
 Luminous Width (mm):
 Voltage: 277.0 V
 Power: 33.39 W

Photometric Results

IES Classification: Type I
 Total Rated Lamp Lumens: 4112.2 lm
 Efficiency: 100%
 Upward Ratio: 25%
 C0r0 Intensity: 112.45 cd
 Pos of Max. Intensity: H157.5 V65

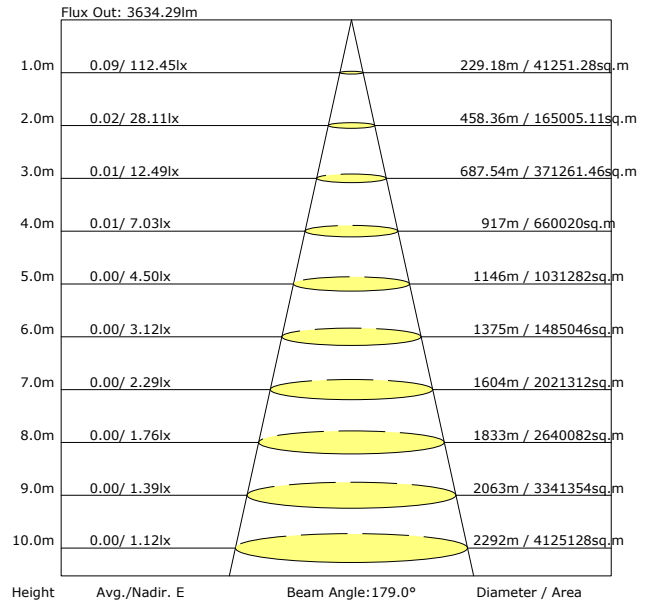
Longitudinal Classification: Short
 Measurement Flux: 4112.2 lm
 Downward Ratio: 75%
 Luminaire Efficacy Rating (LER): 123.21
 Max. Intensity: 746.35 cd

Luminous Intensity Distribution Curve



Unit: cd
 Average Diffuse Angle(50%): 201.9°
 — C0-C180 — C90-C270

The Average Illuminance Effective Figure



CROSS™ Corncob Bulb



Installation

LED Corn Light Instruction



Can not use the electric generator to test the LED lamp. Please avoid using the led fixture in environment where there is smoke, sulfur, and corrosive substances. But if used in such environment, make sure the led fixture is well protected by an enclosed lampshade whose dimension is no less than below size, and whose material is either glass or semi-glass, semi-metallic. Surface of the lampshade shall not have any covering which prevents heat dissipation.

Watt	18W	27W	36W	45/54W	63/80W
Volume (IN)	12.60x7.48 x7.48	13.38x7.87x7.87	15 x7.87x7.87	16.53x8.26x8.26	16.53x9.05x9.05

Watt	100W	120W	150W	170W	200W
Volume (IN)	17.32x9.45x9.45	17.32x10.23x10.23	11.81x11.81x18.50	11.81x11.81x18.50	11.81x11.81x18.50

CORNCOB BULB



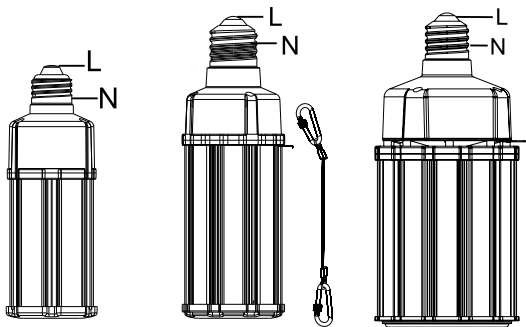
CROSS™

Corncob Bulb

Installation Instructions

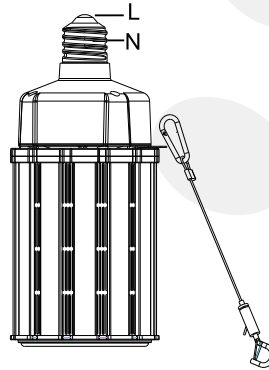
Warning: Please make sure the power is off before installation.

1. Turn off the power switch.
2. Screw off the CFL or MHL or HPS and so on, see Figure (5)(6).
3. Take out led corn light and screw on, see Figure (1)(2)(3)(4). Figure (1)(2) (3) (4):AC internal driver, (Note: Pls make sure to take off the ballast before installing led corn light, otherwise the ballast will produce the resonance of high voltage and makes led corn light breakdown.)
- 4.If security rope provided, pls fix the rope on the lamp with hand, then fix the wire of other end on the shell, see Figure(2) (4).
5. Turn on the power switch.(Finished!)



Security Rope

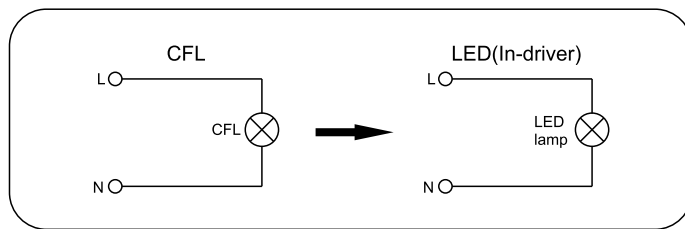
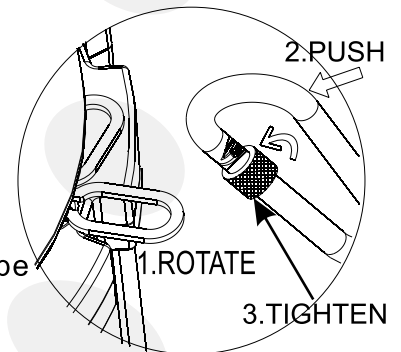
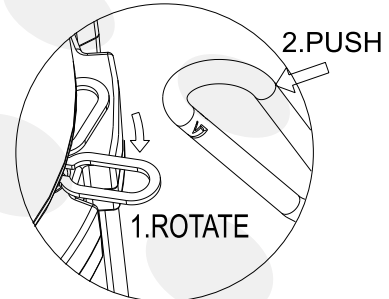
Figure(1) Figure(2) Figure(3)



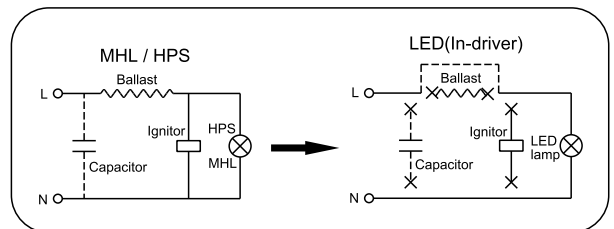
Security Rope

Figure(4)

Buckle on the lamp



Figure(6)

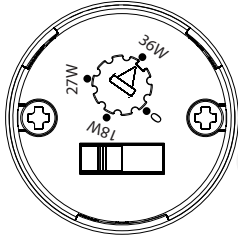


Figure(7)

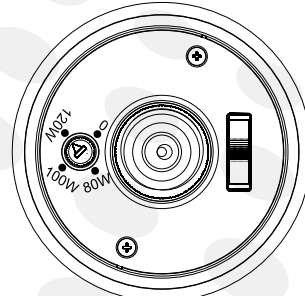
CROSS™ Corncob Bulb



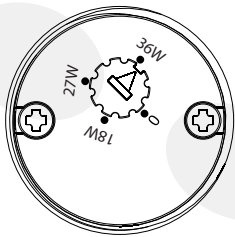
Wattage Adjustable



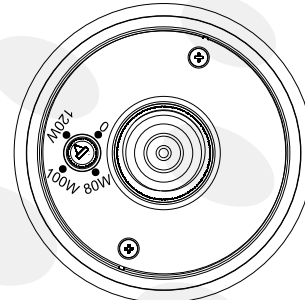
Wattage Adjustable
18W / 27W / 36W



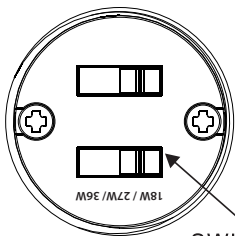
Wattage Adj. 80W / 100W / 120W



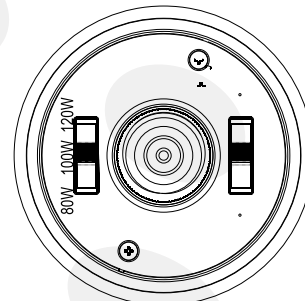
CCT 5000K
Wattage Adj.
27W-63W



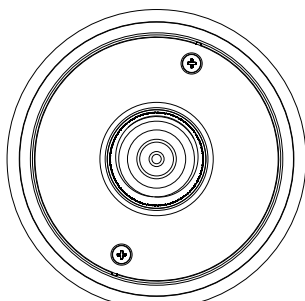
Wattage Adj.
80-120W



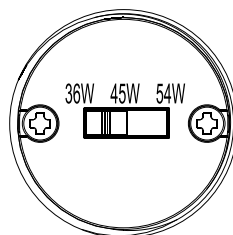
Wattage Adj.
18W / 27W / 36W



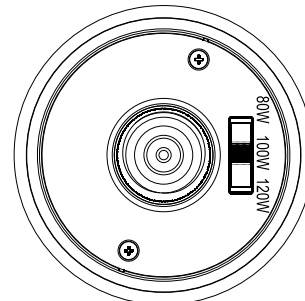
Wattage Adj.
80W-120W



Wattage Adj.
80W-120W



Wattage Adj. 36W-54W



Wattage Adj. 80W-120W

Figure(8)



CROSS™

Corncob Bulb

Installation

WARNING:

WARNING — Risk of fire or electric shock. LED Retrofit Kit installation requires knowledge of luminaires electrical systems. If not qualified, do not attempt installation. Contact a qualified electrician.

WARNING — Risk of fire or electric shock. Install this kit only in the luminaires that have the construction features and dimensions shown in the photographs and/or drawings and where the input rating of the retrofit kit does not exceed the input rating of the luminaire.

WARNING — To prevent wiring damage or abrasion, do not expose wiring to edges of sheet metal or other sharp objects. Do not make or alter any open holes in an enclosure of wiring or electrical components during kit installation.

THE RETROFIT KIT IS ACCEPTED AS A COMPONENT OF A LUMINAIRE WHERE THE SUITABILITY OF THE COMBINATION SHALL BE DETERMINED BY AUTHORITIES HAVING JURISDICTION. PRODUCT MUST BE INSTALLED BY A QUALIFIED ELECTRICIAN IN ACCORDANCE WITH THE APPLICABLE AND APPROPRIATE ELECTRICAL CODES. THE INSTALLATION GUIDE DOES NOT SUPERSEDE LOCAL OR NATIONAL REGULATIONS FOR ELECTRICAL INSTALLATIONS. SUITABLE FOR DAMP LOCATIONS.

ADDED WEIGHT OF THE DEVICE MAY CAUSE INSTABILITY OF A FREE STANDING PORTABLE LUMINAIRE. USE ONLY WITH A PORTABLE TABLE LAMP THAT IS PROVIDED WITH A SHADE. USE IN PORTABLE TABLE LAMPS IN WHICH THE DISTANCE FROM THE BOTTOM OF THE BASE TO THE TOP OF THE LAMP HOLDER DOES NOT EXCEED THREE (3) TIMES THE MINIMUM BASE DIAMETER.

THIS DEVICE IS NOT INTENDED FOR USE WITH "EMERGENCY EXITS" or "NOT FOR EMERGENCY LIGHTING". MIN. LAMP COMPARTMENT DIMENSIONS (L x W x H)

CROSS™

Corncob Bulb



Packaging

SKU: 156814

	Box Dimension	Qty	Net Weight	Gross Weight
Inner Box	3.54" x 3.54" x 9.64"	1 PC/Box	1.23LBS	1.56LBS
Outer Box	14.96" x 11.42" x 10.43"	12 PC/Box	14.99LBS	20.94LBS

SKU: 156815

	Box Dimension	Qty	Net Weight	Gross Weight
Inner Box	3.54" x 3.54" x 11.61"	1 PC/Box	1.54LBS	1.98LBS
Outer Box	14.96" x 11.42" x 12.40"	12 PCS/Box	17.42LBS	24.91LBS

SKU: 156768

	Box Dimension	Qty	Net Weight	Gross Weight
Inner Box	5.31" x 5.31" x 12.40"	1 PC/Box	3.41LBS	3.63LBS
Outer Box	16.53" x 11.22" x 13.18"	6 PCS/Box	20.85LBS	24.14LBS

SKU: 156816

	Box Dimension	Qty	Net Weight	Gross Weight
Inner Box	5.31" x 5.31" x 12.40"	1 PC/Box	3.41LBS	3.63LBS
Outer Box	18.5" x 12.6" x 13"	6 PCS/Box	17.2LBS	24.25LBS



CROSS™

Corncob Bulb

Application



CROSS™

Corncob Bulb



Application



CORNCOB BULB



CROSS™

Corncob Bulb

Safety Precautions

To reduce the risk of death, personal injury or property damage from fire, electric shock, falling parts, cuts/abrasions, and other hazards read all warnings and instructions included with and on the fixture box and all fixture labels.

Before installing, servicing, or performing routine maintenance upon this equipment, follow these general precautions.

Commercial installation, service and maintenance of luminaires should be performed by a qualified licensed electrician.

For the installation: If you are unsure about the installation or maintenance of the luminaires, consult a qualified licensed electrician and check your local electrical code. To prevent wiring damage or abrasion, do not expose wiring to edges of sheet metal or other sharp objects. Do not make or alter any open holes in an enclosure of wiring or electrical components during kit installation.

WARNING: RISK OF FIRE OR ELECTRICAL SHOCK

Turn off electrical power at fuse or circuit breaker box before wiring fixture to the power supply. Turn off the power when you perform any maintenance. Verify that supply voltage is correct by comparing it with the luminaire label information. Make all electrical and grounded connections in accordance with the National Electrical Code and any applicable local code requirements. All wiring connections should be capped with UL approved wire connectors.

CAUTION: RISK OF INJURY

Avoid direct eye exposure to the light source while it is on.

Account for small parts and destroy packing material, as these may be hazardous to children.

Warranty

This product is covered under a 5-year warranty. For complete warranty details, [Click Here.](#)