




## LED Pole Light XL

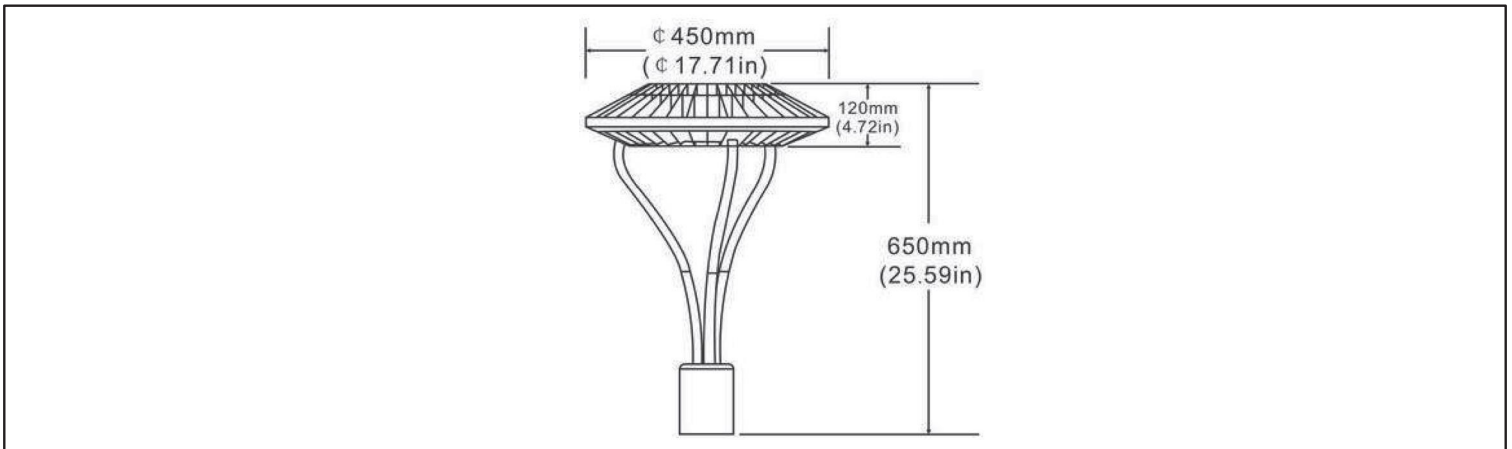


**PRODUCT DESCRIPTION**

LED pole fixtures can mount on existing 3” poles as an upgrade to current lighting. They are perfect for illuminating a variety of outdoor applications, including pathways, landscapes, public places, retail and residential complexes, and parking lots. They are most popular for replacing acorn shaped lights.

## Dimensions



## Specifications

Part Number	Input Power	Input Voltage	Efficiency	CCT Selectable	Light Distribution	CRI	Certificates	Warranty
JH-APL60W-27R	60W	120-277VAC	120Lm/W	3k/4k/5k	120°	70+	ETL	5 Years
JH-APL80W-27R	80W	120-277VAC	120Lm/W	3k/4k/5k	120°	70+	ETL	5 Years
JH-APL100W-27R	100W	120-277VAC	120Lm/W	3k/4k/5k	120°	70+	ETL	5 Years
JH-APL120W-27R	120W	120-277VAC	120Lm/W	3k/4k/5k	120°	70+	ETL	5 Years
JH-APL150W-27R	150W	120-277VAC	120Lm/W	3k/4k/5k	120°	70+	ETL	5 Years
JH-APL180W-27R	180W	120-277VAC	120Lm/W	3k/4k/5k	120°	70+	ETL	5 Years
JH-APL200W-27R	200W	120-277VAC	120Lm/W	3k/4k/5k	120°	70+	ETL	5 Years
JH-APL240W-27R	240W	120-277VAC	120Lm/W	3k/4k/5k	120°	70+	ETL	5 Years

