

# ASSEMBLY AND INSTALLATION INSTRUCTIONS

C0354 / C0355

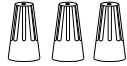
**WARNING:** TO AVOID RISK OF ELECTRICAL SHOCK, BE SURE TO SHUT OFF POWER BEFORE INSTALLING OR SERVICING THIS FIXTURE.

**NOTE:** 1. Before installing, consult local electrical codes for wiring and grounding requirements.  
2. Read and save these instructions.

## Hardware Package (included):



Mounting Screw (A)

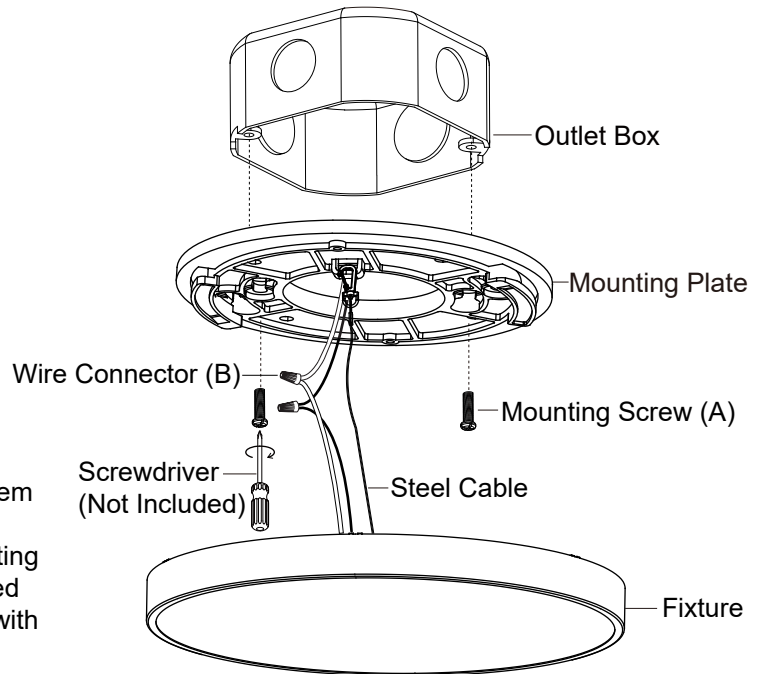


Wire Connector (B)

## Installation Steps

Turn off the power at fuse or circuit box

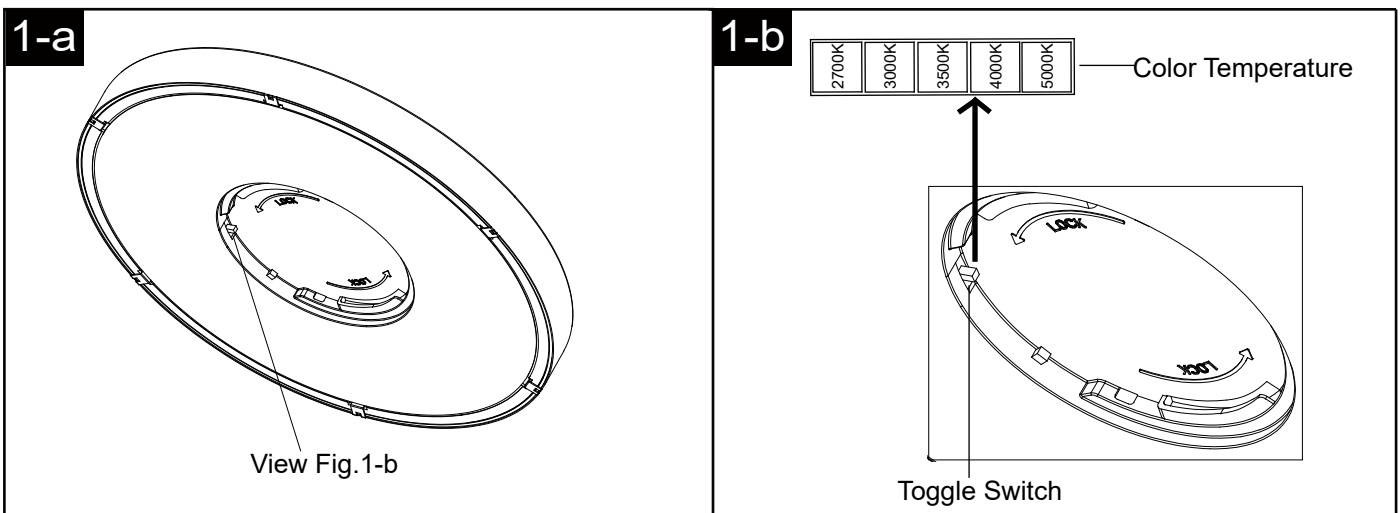
1. Rotate the mounting plate separated from the fixture.
2. Pull out the source wires from the outlet box, thread them through the big hole of the mounting plate. Attach the mounting plate to the outlet box by inserting two mounting screws (A), and slide the mounting plate until it is locked in place. Then secure the mounting screws (A) tightly with a screwdriver (not included).
3. Hang the steel cable on the back of the fixture onto the mounting plate.
4. Connect the black wire from the fixture to black (power) wire from the power source, white wire from the fixture to white (neutral) wire from the power source with supplied wire connectors (B). Tuck all wires into outlet box.
5. Attach the fixture to the mounting plate by aligning studs and slots, then turn it clockwise until it is locked in place.



Turn on the power at fuse or circuit box

## Adjusting the Correlated Color Temperature (CCT) of the Light

Customize the correlated color temperature (CCT) of the LED light by moving the toggle switch (For Reference).



- Move the toggle switch to 2700K, the color temperature is set at Warm White .
- Move the toggle switch to 3000K, the color temperature is set at Soft White.
- Move the toggle switch to 3500K, the color temperature is set at Neutral White.
- Move the toggle switch to 4000K, the color temperature is set at Bright White.
- Move the toggle switch to 5000K, the color temperature is set at Daylight.

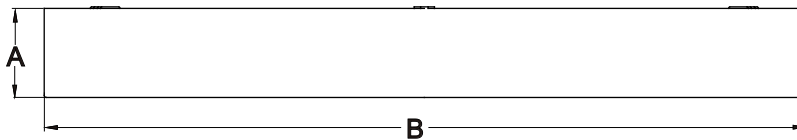
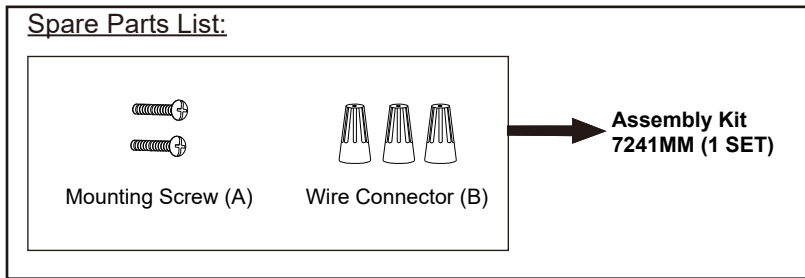
**Notice: Please move the toggle switch to make your selection before attaching the fixture to the mounting plate.**

**Note: Dimming range: 100% full illumination to 10% of full illumination.**

**This fixture is dimmable with a forward phase electronic dimmer. Dimmers tested to be compatible with this fixture are the Lutron: TGCL-153PH, MACL-153MH, SCL-153P, DVWCL-153PH.**

**If you are unfamiliar with electrical installations, it is recommended you have a qualified electrician for your installations.**

The following parts are available for reorder if damaged or missing.



**A: 1"**

**B: 12"**

### 5 Year Limited Warranty

Vaxcel warrants all of our products against defects in workmanship and finishes for one year following the date of shipment.

In addition:

- Any product with an integrated motion sensor or dusk-to-dawn photocell is supported by a 5-year warranty for the functionality of the product.
- Any product with integrated LED modules is covered by a 5-year warranty on the LED functionality.

*Exclusions: This warranty does not include the failure of products from extreme acts of nature; environmental conditions not suited for the products intended use; operation in temperatures outside of the range specified in the instruction manual; usage with improper power supply, power surges or dips. For coastal locations, some corrosion is considered normal for the environment.*

*Vaxcel reserves the right to repair, replace or issue a credit for any properly installed product, provided it is returned per RMA instruction. This warranty is limited to the cost of the product only and does not extend to transportation, installation or replacement costs.*

How can warranty service be obtained?

info@vaxcel.com

1-800-482-9235