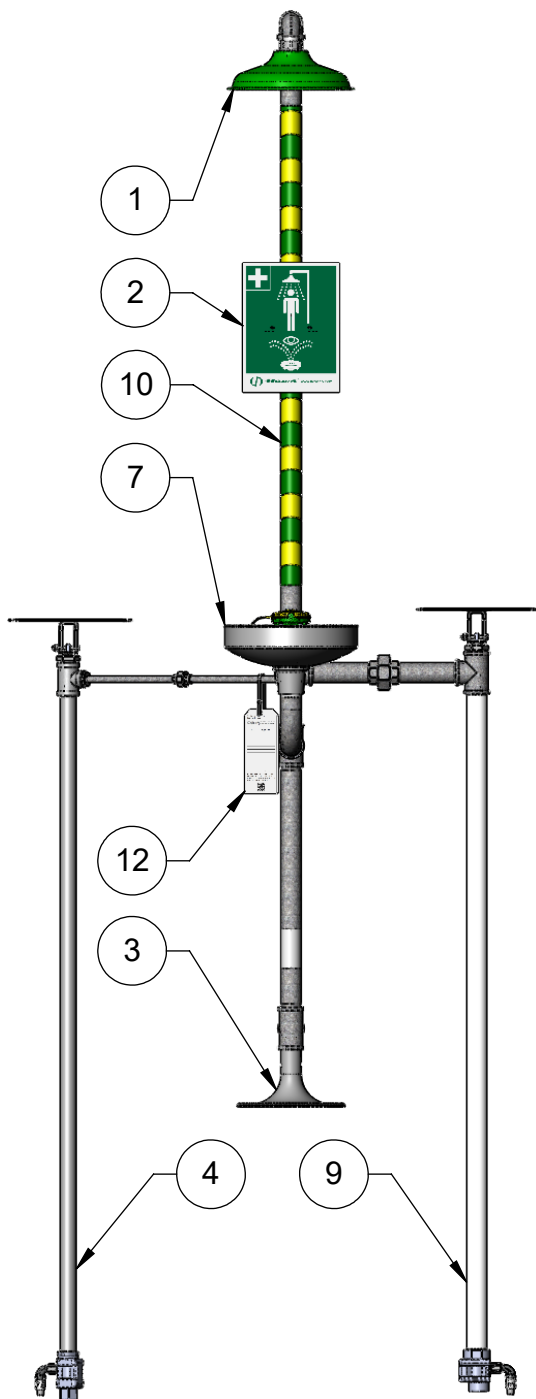
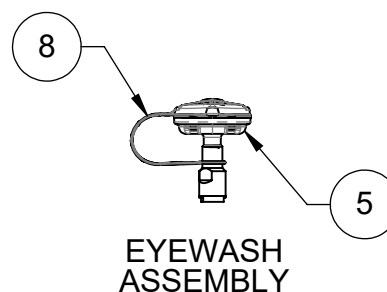
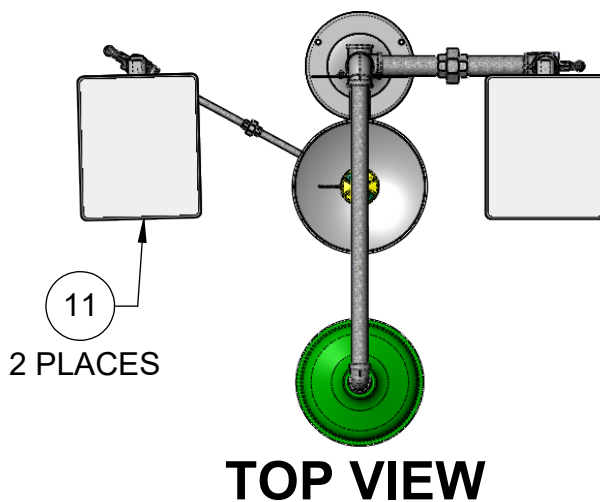


PARTS BREAKDOWN


ITEM	DESCRIPTION	PART NO.	
1	SHOWER HEAD	8129FC	
2	SHOWER SIGN	SP178	
3	FLOOR FLANGE	SP75	
**	4	FREEZE PROOF VALVE	MK8A
5	AXION EYE/FACE WASH	SP65CTFP	
7	SS BOWL	SP90	
8	AXION EYEWASH DUST COVER	9091	
**	9	FREEZE PROOF VALVE	MK81A
10	GREEN & YELLOW LABEL	SP185	
11	PUSH PLATE W/ LABELS	SP218	
12	TEST TAG	SP170	
--	VALVE REPAIR KIT MK81A	VRKMK81A	
--	VALVE REPAIR KIT MK8A	VRKMK8A	



** REQUIRED - SOLD SEPARATELY



EYEWASH ASSEMBLY

			1455 KLEPPE LANE SPARKS, NEVADA 89431 (775) 359-4712 FAX (775) 359-7424 E-MAIL: HAWS@HAWSO.COM WEBSITE: WWW.HAWSO.COM		
			ECN: 1499	REV. ECN: 6264	BY: JU
DRAWN: JU	DATE: 05/01/25	CHKD: DN	8300FP	0002080163	
APPROVED: JU	DATE: 12/19/25		SCALE: 1:16	REVISION	
			DRAWING TYPE: PARTS BREAKDOWN	18	
			SIZE: A	SHEET 1 OF 1	

WHEN ORDERING PARTS, PLEASE SPECIFY PART NUMBER