

#### Insulated Enclosures for Surface Mounting of Frame B (0.1–32A) XTPR Rotary Manual Motor Protectors—North American Usage <sup>③</sup>

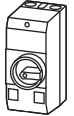


Degree of Protection	For Use with...	Description	Catalog Number
IP55 NEMA 1, 12, 3R	Frame B XTPR only or with: XTPAXSA_ and XTPAXFA_ XTPAXUVR_ and XTPAXFA_ XTPAXSR_ and XTPAXFA_ XTPAXCL	With black/gray rotary handle	<b>XTPAXENAS55B</b>
		With red/yellow rotary handle for use as emergency-stop switch to VDE 0113	<b>XTPAXENAS55RY</b>

#### Insulated Enclosures for Surface Mounting of Frame B XTPR (0.1–32A) Rotary Motor-Protective Circuit Breakers with XTPAXFAEM20 Early-Make Front-Mount Auxiliary Contact—Global Usage



Degree of Protection	For Use with...	Description	Catalog Number
IP65	Frame B XTPR and XTPAXFAEM20 only or with: XTPAXFA_ XTPAXSA_, XTPAXSATR_ XTPAXUVR_, XTPAXSR_ XTPAXCL	With black/gray rotary handle	<b>XTPAXENCSEM65B</b>
IP65		With red/yellow rotary handle for use as emergency-stop switches to IEC/EN 60204	<b>XTPAXENCSEM65RY</b>



IP55	Frame B XTPR and XTPAXFAEM20 only or with: XTPAXFA_ XTPAXUVR_, XTPAXSR_ XTPAXCL	With black/gray rotary handle	<b>XTPAXENCSEM55B</b>
IP55		With red/yellow rotary handle for use as emergency-stop switches to IEC/EN 60204	<b>XTPAXENCSEM55RY</b>

#### Insulated Enclosures for Surface Mounting of Frame B XTPR (0.1–32A) Rotary Manual Motor Protectors with XTPAXFAEM20 Early-Make Front-Mount Auxiliary Contact—North American Usage <sup>④</sup>



Degree of Protection	For Use with...	Description	Catalog Number
IP55 NEMA 1, 12, 3R	Frame B XTPR only or with: XTPAXSA_, XTPAXUVR_ XTPAXCL	With black/grey rotary handle	<b>XTPAXENASEM55B</b>
		With red/yellow rotary handle for use as emergency-stop switch to VDE 0113	<b>XTPAXENASEM55RY</b>

#### Insulated Enclosures for Flush Mounting of Frame B (0.1–32A) XTPR Rotary Manual Motor Protectors—Global Usage <sup>⑤</sup>



Degree of Protection	For Use with...	Description	Catalog Number
Front IP40	Frame B XTPR only or with: XTPAXSA_, XTPAXUVR_ XTPAXSR_, XTPAXCL	Cover with aperture dimensioned to accommodate front of MMP	<b>XTPAXENCF40</b>



Front IP55	Frame B XTPR only or with: XTPAXSA_, XTPAXFA_ XTPAXSR_, XTPAXFA_ XTPAXCL	With black/gray rotary handle	<b>XTPAXENCF55B</b>
		With red/yellow rotary handle for use as emergency-stop switches to IEC/EN 60204	<b>XTPAXENCF55RY</b>

#### Insulated Enclosures for Surface Mounting of Frame D (10–65A) Rotary Motor-Protective Circuit Breakers



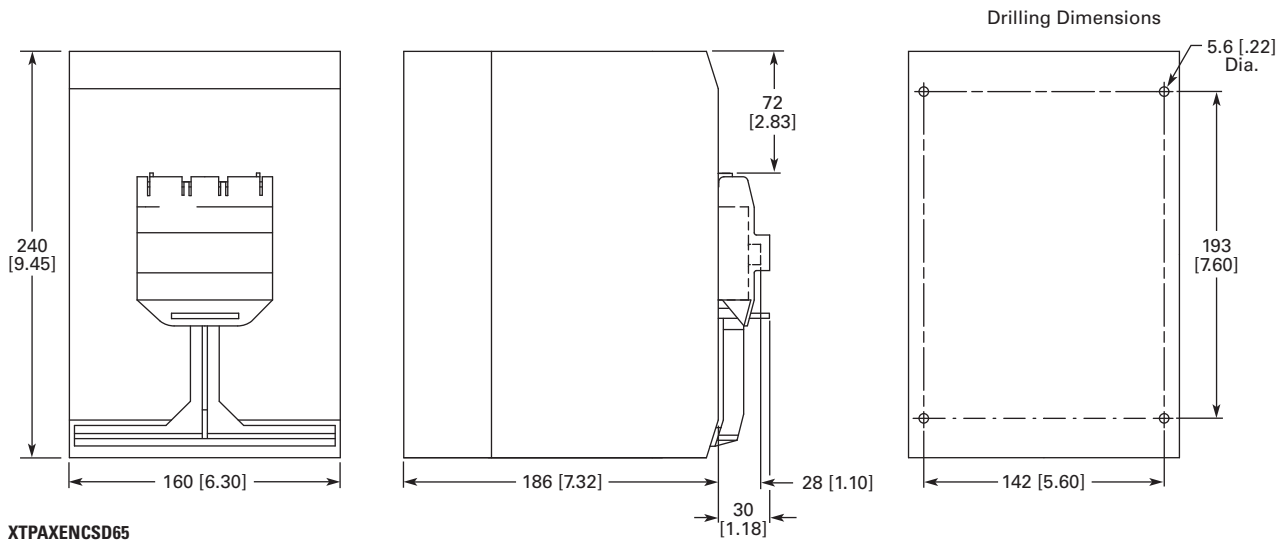
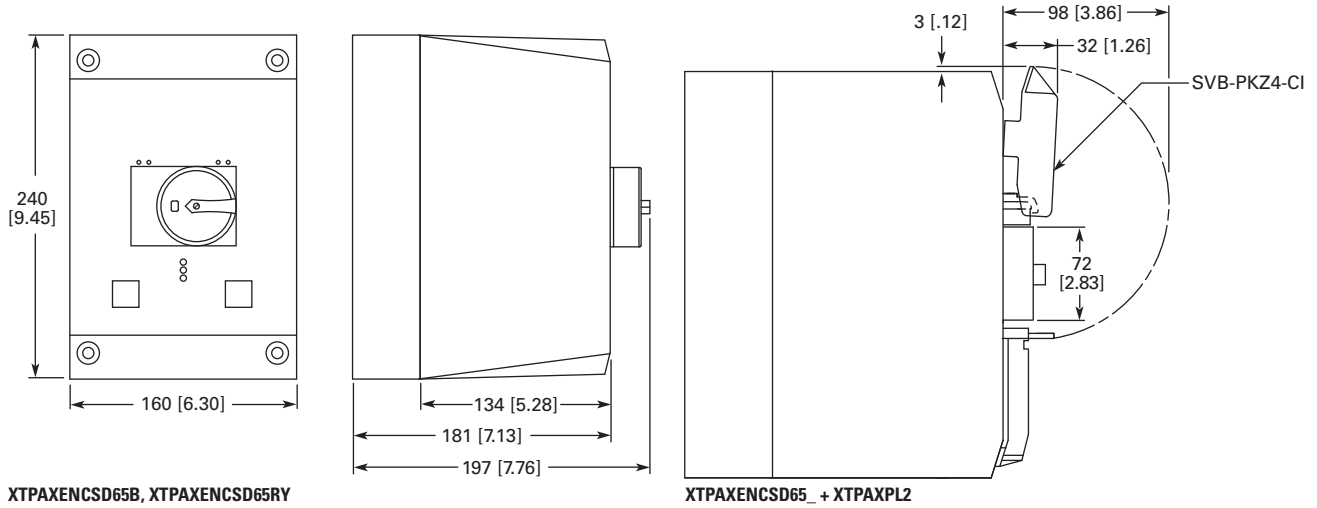
Degree of Protection	For Use with...	Description	Catalog Number
IP65 NEMA 1, 12, 3R, 4X	Frame D XTPR only or with: XTPAXFA_, XTPAXFAEM20, XTPAXSA_, XTPAXSATR_ XTPAXUVR_, XTPAXSR_ XTPAXCL	With black/gray rotary handle	<b>XTPAXENCSD65B</b>
		With red/yellow rotary handle for use as emergency-stop switches to IEC/EN 60204	<b>XTPAXENCSD65RY</b>

#### Notes

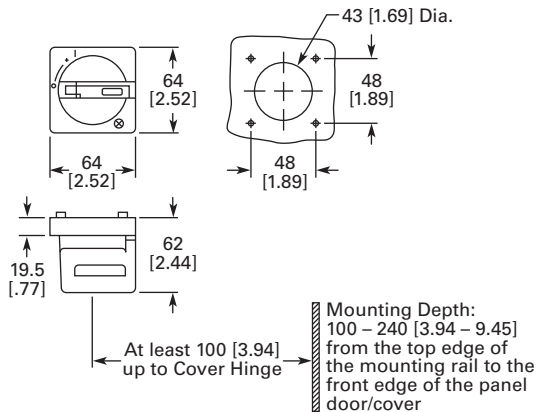
- ① M25 metric cable entry knock-out, top and bottom. Cable push-through membrane, top and bottom, in the back plate and as a control line entry. Includes N and PE terminals.
- ② Integrated terminal for PE(N) connection, two M25 cable entry knockouts at the top and bottom.
- ③ Built-in N and PE terminal, lower part without knockouts.
- ④ Built-in N and PE terminal, lower part without knockouts.
- ⑤ Integrated terminal for PE(N) connection.

Approximate Dimensions in mm [in]

**Insulated Enclosures for Surface Mounting of XTPR...D Manual Motor Protectors**



**Rotary Handle Mechanism—XTPAXRHM\_**



Approximate Dimensions in mm [in]

**Pushbutton MMP Enclosures****Insulated Enclosures for Surface Mounting****XTPB Pushbutton Motor-Protective Circuit Breakers**

Catalog Number	H x W x D
<b>Global Usage</b>	
<b>XTPBXENC540</b>	158 x 80 x 116.5 [6.22 x 3.15 x 4.59]
<b>XTPBXENC65</b>	158 x 80 x 116.5 [6.22 x 3.15 x 4.59]
<b>XTPBXENC5L065</b>	158 x 80 x 129.5 [6.22 x 3.15 x 5.10]
<b>XTPBXENC5LE65</b>	158 x 80 x 129.5 [6.22 x 3.15 x 5.10]
<b>XTPBXENC5ES65</b>	158 x 80 x 177.2 [6.22 x 3.15 x 6.98]
<b>XTPBXENC5EK65</b>	158 x 80 x 177.2 [6.22 x 3.15 x 6.98]

**XTPB Pushbutton Manual Motor Protectors**

Catalog Number	H x W x D
<b>North American Usage</b>	
<b>XTPBXENAS41</b>	158 x 80 x 116.5 [6.22 x 3.15 x 4.59]
<b>XTPBXENAS65</b>	158 x 80 x 116.5 [6.22 x 3.15 x 4.59]
<b>XTPBXENASL065</b>	158 x 80 x 129.5 [6.22 x 3.15 x 5.10]
<b>XTPBXENASLE65</b>	158 x 80 x 129.5 [6.22 x 3.15 x 5.10]
<b>XTPBXENASES65</b>	158 x 80 x 177.2 [6.22 x 3.15 x 6.98]
<b>XTPBXENASEK65</b>	158 x 80 x 177.2 [6.22 x 3.15 x 6.98]

**Frame B (0.1–32A) XTPR Motor-Protective Circuit Breakers**

Catalog Number	H x W x D
<b>Global Usage</b>	
<b>XTPAXENC541</b>	160 x 100 x 104 [6.30 x 3.94 x 4.09]
<b>XTPAXENC65B</b>	160 x 100 x 130 [6.30 x 3.94 x 5.12]
<b>XTPAXENC65RY</b>	160 x 100 x 130 [6.30 x 3.94 x 5.12]
<b>XTPAXENC540</b>	158 x 80 x 100 [6.22 x 3.15 x 3.94]
<b>XTPAXENC55B</b>	158 x 80 x 125.5 [6.22 x 3.15 x 4.94]
<b>XTPAXENC55RY</b>	158 x 80 x 125.5 [6.22 x 3.15 x 4.94]

**Frame B (0.1–32A) XTPR Rotary Manual Motor Protectors**

Catalog Number	H x W x D
<b>North American Usage</b>	
<b>XTPAXENAS55B</b>	160 x 100 x 130 [6.30 x 3.94 x 5.12]
<b>XTPAXENAS55RY</b>	160 x 100 x 130 [6.30 x 3.94 x 5.12]

**Frame B XTPR (0.1–32A) Rotary Motor-Protective Circuit Breakers with XTPAXFAEM20 Early-Make Front-Mount Auxiliary Contact**

Catalog Number	H x W x D
<b>Global Usage</b>	
<b>XTPAXENCSEM65B</b>	160 x 100 x 130 [6.30 x 3.94 x 5.12]
<b>XTPAXENCSEM65RY</b>	160 x 100 x 130 [6.30 x 3.94 x 5.12]
<b>XTPAXENCSEM55B</b>	158 x 80 x 100 [6.22 x 3.15 x 3.94]
<b>XTPAXENCSEM55RY</b>	158 x 80 x 100 [6.22 x 3.15 x 3.94]

**Frame B XTPR (0.1–32A) Rotary Manual Motor Protectors with XTPAXFAEM20 Early-Make Front-Mount Auxiliary Contact**

Catalog Number	H x W x D
<b>North American Usage</b>	
<b>XTPAXENCSEM55B</b>	160 x 100 x 130 [6.30 x 3.94 x 5.12]
<b>XTPAXENCSEM55RY</b>	160 x 100 x 130 [6.30 x 3.94 x 5.12]

**Frame D (10–65A) Rotary Motor-Protective Circuit Breakers**

Catalog Number	H x W x D
<b>Global and North American Usage</b>	
<b>XTPAXENCSD65B</b>	240 x 160 x 197 [9.45 x 6.30 x 7.76]
<b>XTPAXENCSD65RY</b>	240 x 160 x 197 [9.45 x 6.30 x 7.76]

**Insulated Enclosures for Flush Mounting****XTPB Pushbutton Manual Motor Protectors**

Catalog Number	H x W x D
<b>Global and North American Usage</b>	
<b>XTPBXENC40</b>	129 x 90.2 x 115.2 [5.08 x 3.55 x 4.54]
<b>XTPBXENC55</b>	129 x 90.2 x 115.2 [5.08 x 3.55 x 4.54]
<b>XTPBXENC5FLO55</b>	129 x 90.2 x 115.2 [5.08 x 3.55 x 4.54]
<b>XTPBXENC5FLE55</b>	129 x 90.2 x 115.2 [5.08 x 3.55 x 4.54]
<b>XTPBXENC5FES55</b>	129 x 90.2 x 175.9 [5.08 x 3.55 x 6.93]
<b>XTPBXENC5FEK55</b>	129 x 90.2 x 175.9 [5.08 x 3.55 x 6.93]

**Frame B (0.1–32A) XTPR Rotary Manual Motor Protectors**

Catalog Number	H x W x D
<b>Global Usage</b>	
<b>XTPAXENC40</b>	129 x 85 x 96 [5.08 x 3.35 x 3.78]
<b>XTPAXENC55B</b>	129 x 85 x 124 [5.08 x 3.35 x 4.88]
<b>XTPAXENC55RY</b>	129 x 85 x 124 [5.08 x 3.35 x 4.88]