



## KT-LEDXRD-XC-830-DIM-CS

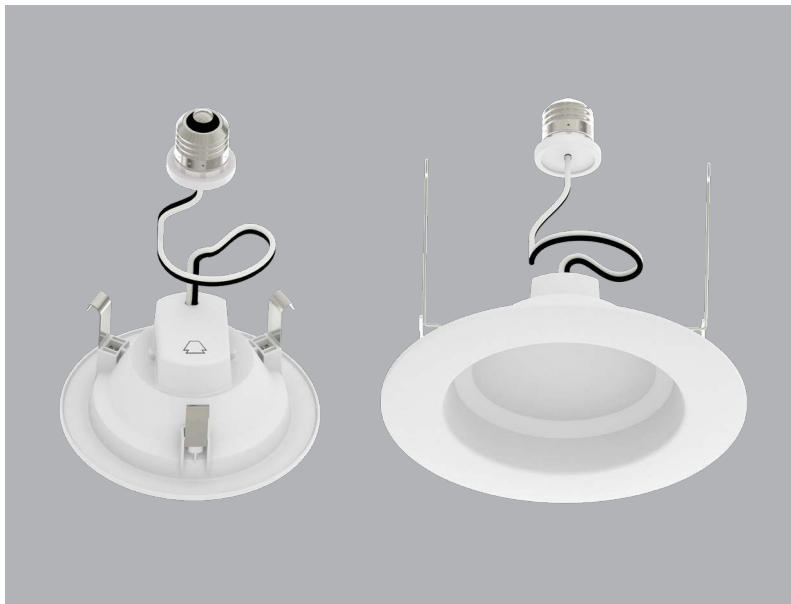
### DOWNLIGHT RETROFIT TRIM

#### DESCRIPTION

4" and 5"/6" Contractor Prime Downlight Retrofit Trims | 3000K | Quick-Disconnect E26 Base

#### APPLICATION

Ideal for residential, hospitality, retail, and other retrofit and new construction applications



#### PRODUCT FEATURES

- Includes quick-disconnect E26 base adaptor for easy, screw-in install
- Improved aesthetics vs legacy trims
- Ideal for retrofit and remodel applications
- Diffused lens for visual comfort and reduced glare
- Smooth, uniform dimming
- Suitable for use in wet locations
- Suitable for use in 4" or 5"/6" recessed cans
- Operating temperature range: -4°F/-20°C to 95°F/35°C
- ETL Classified Retrofit Kit
- ETL Classified Luminaire
- Complies with Part 15 of FCC

#### PERFORMANCE SPECIFICATIONS

Catalog Number	Input Voltage	Wattage	CCT*	Lumen Output	Efficacy	CRI	Power Factor	Beam Angle	Lifetime
KT-LED6RD-4C-830-DIM-CS	120V	6W	3000K	550	92 lm/W	>80	>0.9	90°	11,000 hrs
KT-LED7RD-6C-830-DIM-CS	120V	7W	3000K	650	93 lm/W	>80	>0.9	90°	11,000 hrs

\* Color Uniformity: CCT (Correlated Color Temperature) range as per guidelines outlined in ANSI C78.377-2017



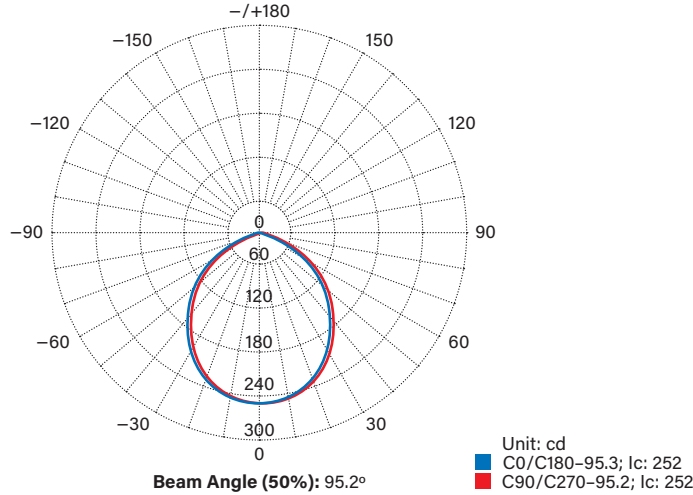
# KT-LEDXRD-XC-830-DIM-CS

## DOWNLIGHT RETROFIT TRIM

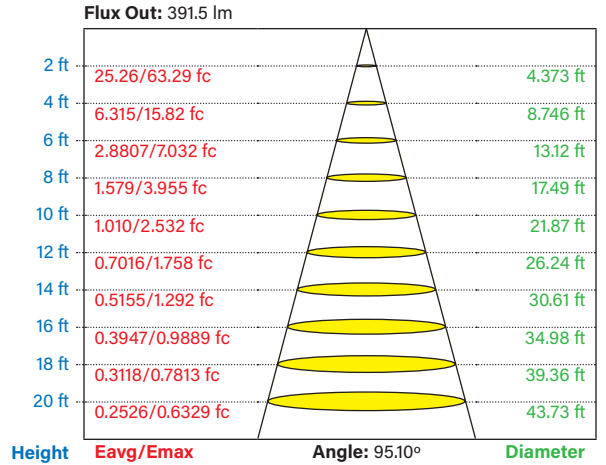
### PHOTOMETRIC SPECIFICATIONS

#### KT-LED6RD-4C-830-DIM-CS

##### POLAR CANDELA DISTRIBUTION



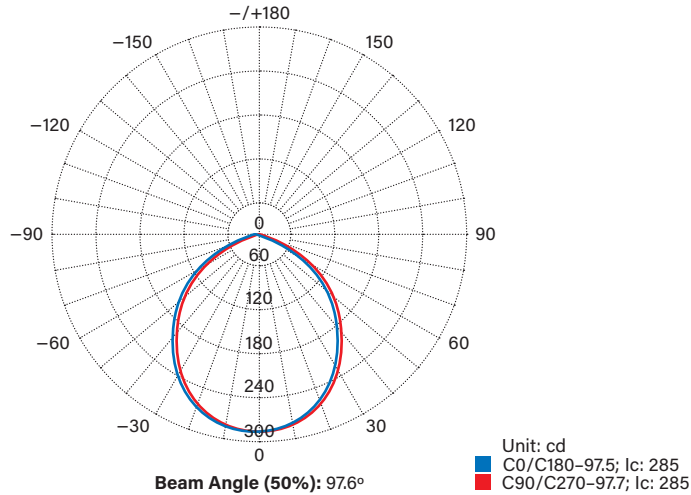
##### LUX DISTANCE CURVE



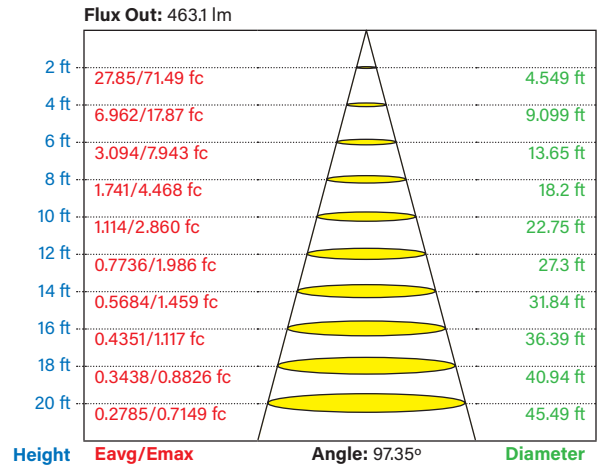
Curves show illuminated area and average illumination when lamp is at various distances.

#### KT-LED7RD-6C-830-DIM-CS

##### POLAR CANDELA DISTRIBUTION



##### LUX DISTANCE CURVE

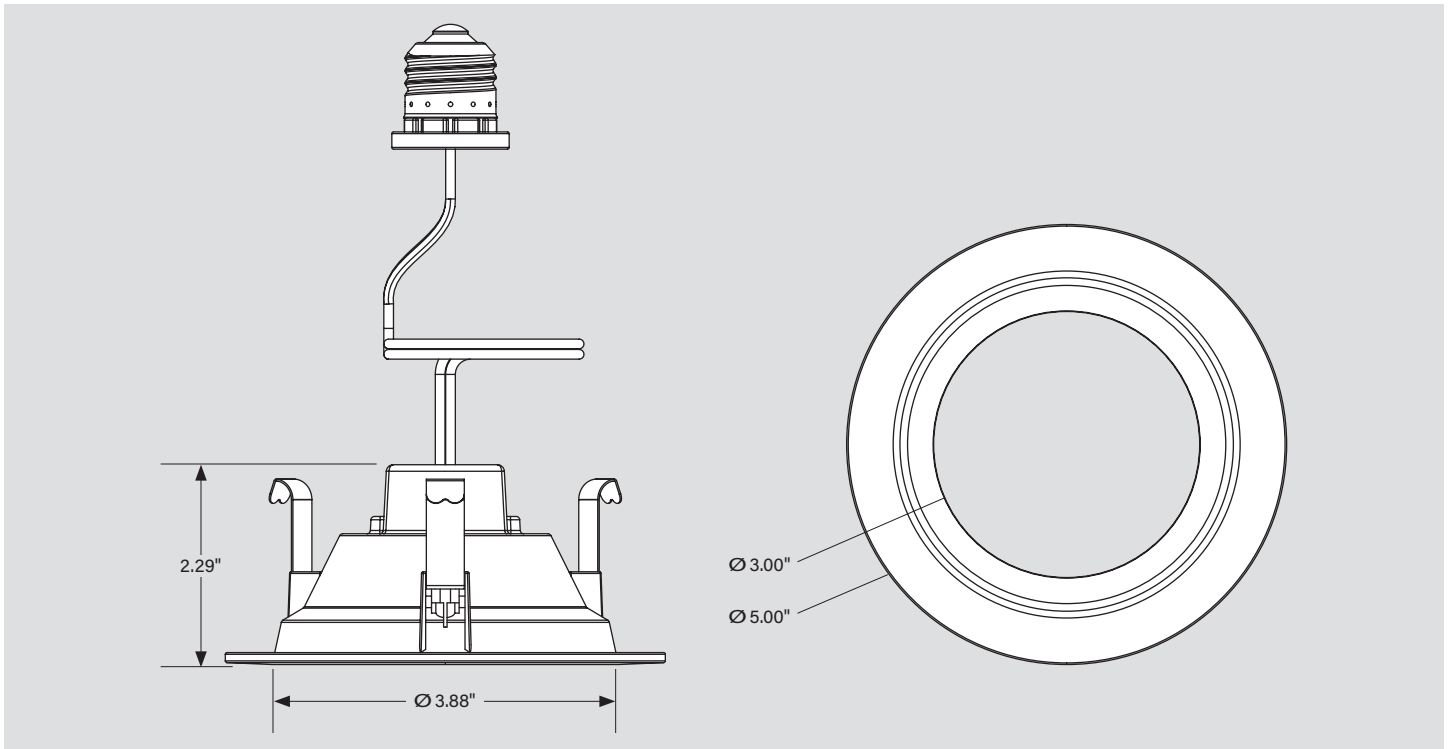


Curves show illuminated area and average illumination when lamp is at various distances.

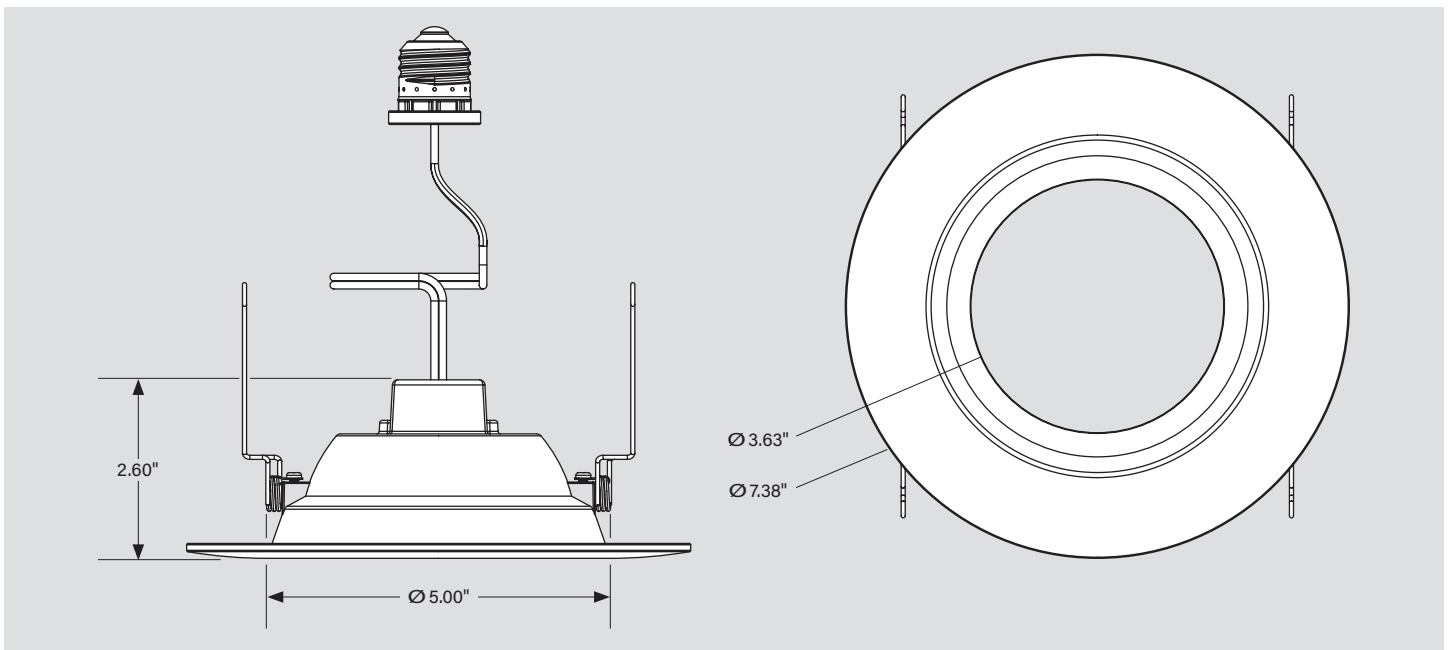
**KT-LEDXRD-XC-830-DIM-CS**  
DOWNLIGHT RETROFIT TRIM

**PHYSICAL SPECIFICATIONS**

**KT-LED6RD-4C-830-DIM-CS**



**KT-LED7RD-6C-830-DIM-CS**



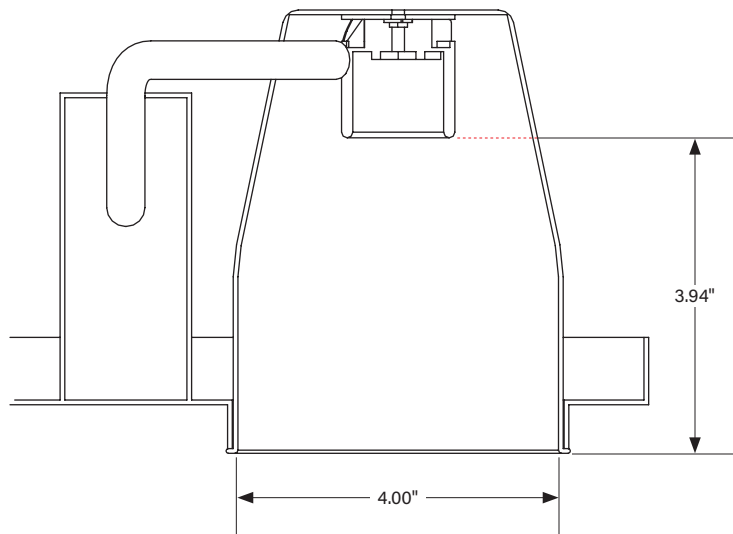
## KT-LEDXRD-XC-830-DIM-CS

### DOWNLIGHT RETROFIT TRIM

#### INSTALLATION INSTRUCTIONS

##### KT-LED6RD-4C-830-DIM-CS

The existing luminaire housing must be equal to or larger than over-all inner dimensions illustrated below.



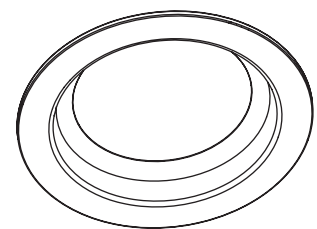
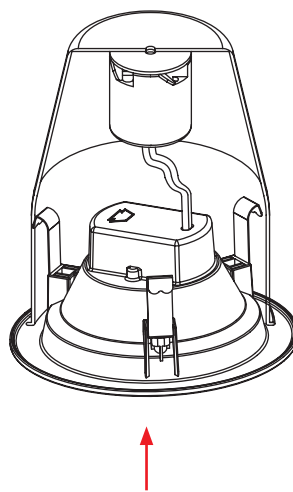
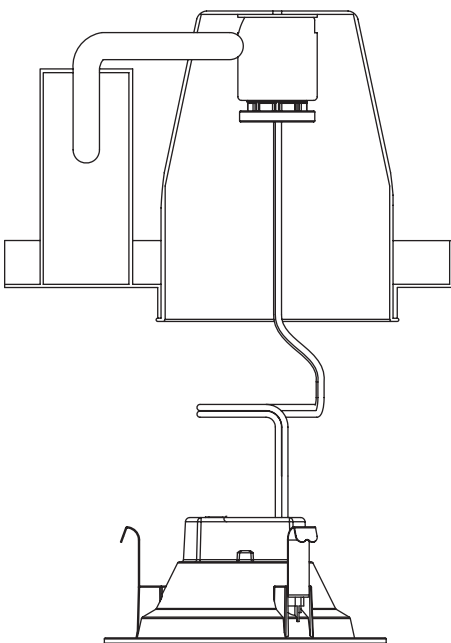
- 1. Shut off power at the source of the recessed housing into which you are installing fixture.** Remove existing trim and CFL or incandescent bulb.

*Note:* Follow all federal and local regulations when disposing of lamps and removed components.

- 2. Screw the E26 adaptor into the socket inside the housing.**

- 3. Carefully route wires into fixture, sliding the trim and friction clips into the housing for a tight fit.**

- 4. Push the LED trim into the housing until trim is flush with ceiling.**



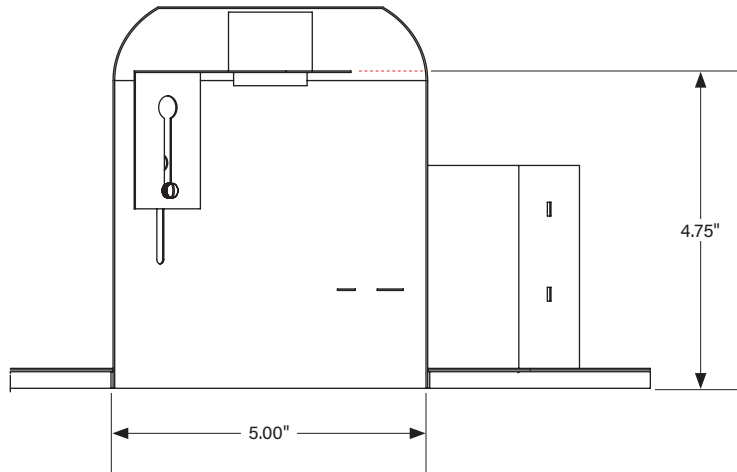
(Installation Instructions continued on next page)

## KT-LEDXRD-XC-830-DIM-CS DOWNLIGHT RETROFIT TRIM

### INSTALLATION INSTRUCTIONS (CONTINUED)

#### KT-LED7RD-6C-830-DIM-CS

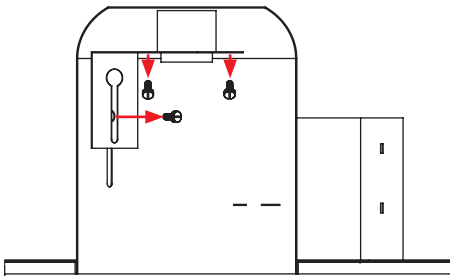
The existing luminaire housing must be equal to or larger than over-all inner dimensions illustrated below.



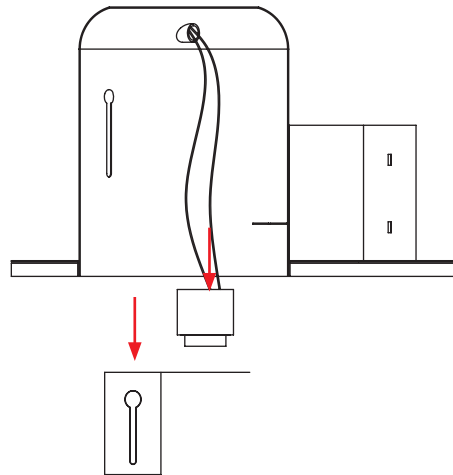
- 1. Shut off power at the source of the recessed housing into which you are installing fixture.** Remove existing trim and CFL or incandescent bulb.

*Note:* Follow all federal and local regulations when disposing of lamps and removed components.

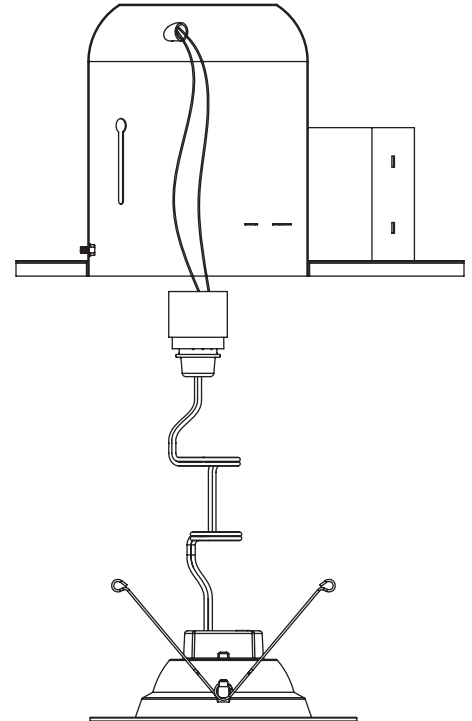
- 2. Unscrew the screws on socket bracket; push bracket upward to the top.**



- 3. Remove existing socket mounting plate from the housing, then remove lamp socket from the plate.**



- 4. Screw E26 adaptor into the socket.**

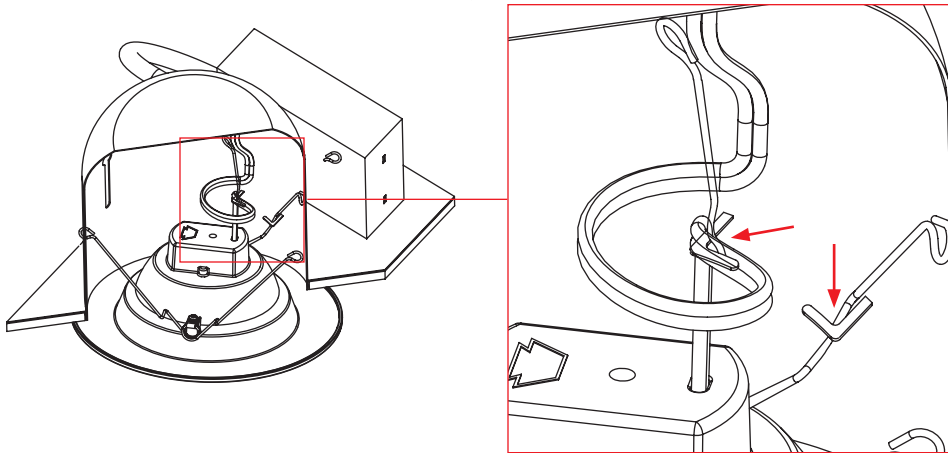


(Installation Instructions continued on next page)

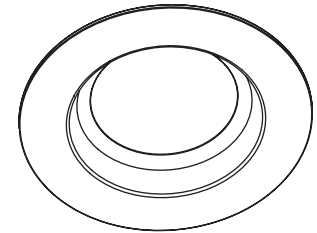
**KT-LEDXRD-XC-830-DIM-CS**  
DOWNLIGHT RETROFIT TRIM

**INSTALLATION INSTRUCTIONS (CONTINUED)**

5. Squeeze torsion springs as shown and install into the metal brackets inside the recessed housing. For proper installation, the torsion springs should be seated within the brackets and on both sides of the housing.



6. Carefully place wires into fixture, then push the LED trim into the housing until trim is flush with ceiling.



**OPTIONAL ACCESSORIES (SOLD SEPARATELY)**

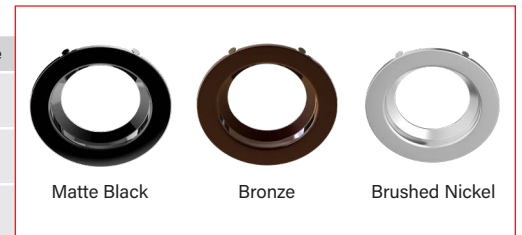
**TORSION-SPRING ADAPTOR**

Catalog Number	Description	UPC	Easy Code
KT-ADPT-RD-6C-TS	Torsion-spring adaptor for 5" / 6" downlight retrofit trim	843654137667	GGR-44



**INTERCHANGEABLE TRIM**

Catalog Number	Description	UPC	Easy Code
KT-TRIM-RD-4C-MB	4" Interchangeable trim for 4" circular downlight retrofit trim; Matte black	843654137575	WXP-47
KT-TRIM-RD-4C-BR	4" Interchangeable trim for 4" circular downlight retrofit trim; Bronze	843654137599	NWK-94
KT-TRIM-RD-4C-BN	4" Interchangeable trim for 4" circular downlight retrofit trim; Brushed nickel	843654137612	UTA-46





# KT-LEDXRD-XC-830-DIM-CS

## DOWNLIGHT RETROFIT TRIM

### ORDERING INFORMATION

Catalog Number	UPC	Easy Code
KT-LED6RD-4C-830-DIM-CS	843654137506	GDI-47
KT-LED7RD-6C-830-DIM-CS	843654137513	PHV-20

### CATALOG NUMBER BREAKDOWN

# KT-LEDXRD-XC-830-DIM-CS

<b>1</b>	<b>2</b>	<b>3</b>	<b>4</b>	<b>5</b>	<b>6</b>	<b>7</b>	<b>8</b>	<b>9</b>	<b>10</b>
<b>1 Keystone Technologies</b>	<b>2 LED Technology</b>	<b>3 Wattage</b>	<b>4 Fixture Type</b>	<b>5 Nominal Size</b>	<b>6 Shape</b>	<b>7 CRI</b>			
			RD Recessed Downlight	4 4" 6 5" / 6"	C Circular	8 80			
			<b>8 Color</b>	<b>9 Dimming</b>					
			30 3000K	DIM TRIAC Dimmable					
<b>10 Contractor Series</b>									