

GAST/JUN-AIR

GAST MFG, INC. & JUN-AIR
 A Unit of IDEX Corporation
 Post Office Box 97
 Benton Harbor, Michigan 49022 U.S.A.
 Ph: 269/926-6171
 Fax: 269/925-8288

PART NUMBER: RTD1127
 REVISION: A

PRODUCT SPECIFICATIONS

MODEL NO.	MOTOR	RPM		AMPS		HP	kW	NET WT.		CAPACITOR	
		60Hz	50Hz	60Hz	50Hz			lbs.	kg	mf.	VOLT
120R689-PSP101-N800NX	200-240V; 60Hz 200-230V; 50Hz	1725	1425	10	8	2.0	1.49	65	29.5	60	440

SOUND LEVEL LESS THAN 74 dB(A)

NORMAL AMBIENT +5 °C to +40 °C

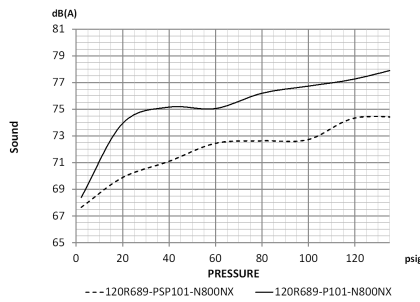
RELATIVE HUMIDITY 20% - 80%

NOTES:

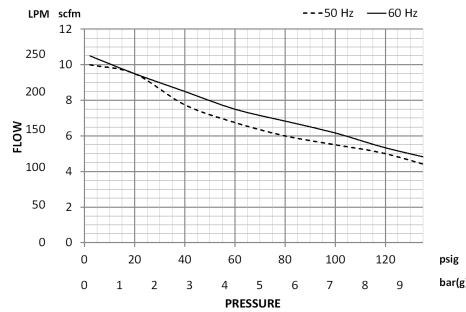
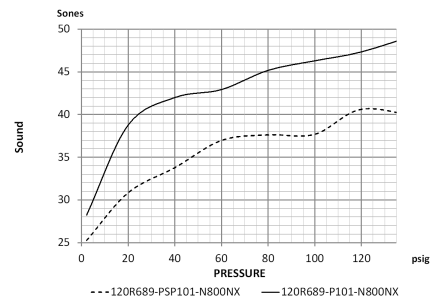
1. TECHNICAL DATA SUBJECT TO CHANGE WITHOUT NOTICE.
2. ALL DIMENSIONS ARE FOR REFERENCE ONLY.
3. CAPACITOR AND FILTER SHIPPED UNATTACHED.

PRODUCT PERFORMANCE:

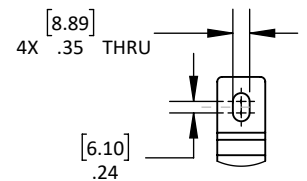
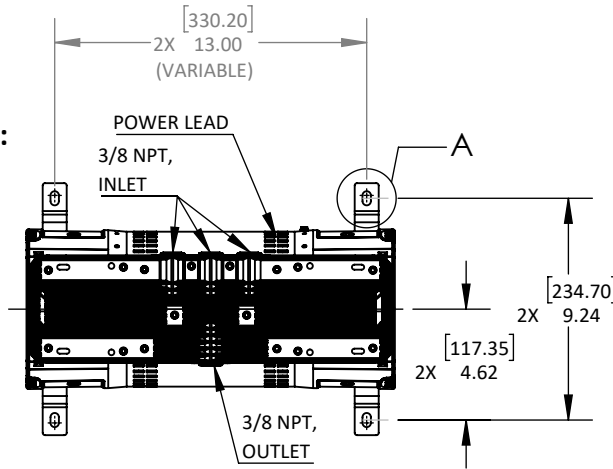
SOUND COMPARISON



SOUND LEVEL @ PRESSURE



PRODUCT DIMENSIONS:



DETAIL A
SCALE 1 : 4

