

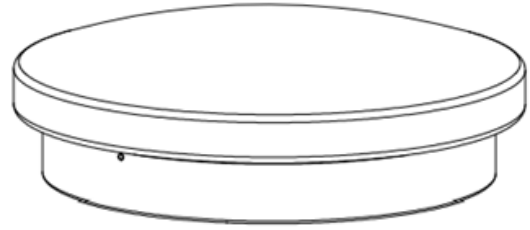


MaxLite® FMP Series Puff Ceiling Fixture 120-277V w/ Motion Sensor and/or Emergency Battery Back-up

General Safety Information

WARNING:

- To reduce the risk of death, personal injury or property damage from fire, electric shock, falling parts, cuts/abrasions, and other hazards read all warnings and instructions included with and on the fixture box and all fixture labels.
- Before installing, servicing, or performing routine maintenance upon this equipment, follow these general precautions.
- Commercial installation, service and maintenance of luminaires should be performed by a qualified licensed electrician.
- For the installation: If you are unsure about the installation or maintenance of the luminaires, consult a qualified licensed electrician and check your local electrical code.
- To prevent wiring damage or abrasion, do not expose wiring to edges of sheet metal or other sharp objects.
- Do not make or alter any open holes in an enclosure of wiring or electrical components during kit installation.
- Turn off electrical power at fuse or circuit breaker box before wiring fixture to the power supply.
- Turn off the power when you perform any maintenance.
- Verify that supply voltage is correct by comparing it with the luminaire label information.
- All wiring connections should be capped with UL approved wire connectors.



*Pictures are for illustration purposes only.
Your model may vary.*

CAUTION:

RISK OF INJURY

- Wear gloves and safety glasses at all times when removing luminaire from carton, installing, servicing or performing maintenance.
- Avoid direct eye exposure to the light source while it is on.
- Account for small parts and destroy packing material, as these may be hazardous to children.

CAUTION:

RISK OF FIRE

- Avoid direct eye exposure to the light source while it is on.
- Account for small parts and destroy packing material, as these may be hazardous to children.
- Risk of burn. Disconnect power and allow fixture to cool before changing bulb or handing fixture.

NOTE: Green ground screw provided in proper location. Do not relocate.

NOTE: Minimum 90° supply conductors.

NOTE: Specifications and dimensions subject to change without notice.

NOTE: Suitable for Dry or Damp location.

Models:

This instruction manual applies to the FMP Series Puff Ceiling Fixtures (11, 13 & 15") with Motion Sensor and/or Emergency Battery back-up installed

Included in the box:

- 1 – LED Luminaire
- 1 – Mounting Bracket
- 3 – P3 Wire Connectors
- 2 – Fixture Mounting Screws M4*38
- 2 – Fixture Mounting Screws #8-32*15

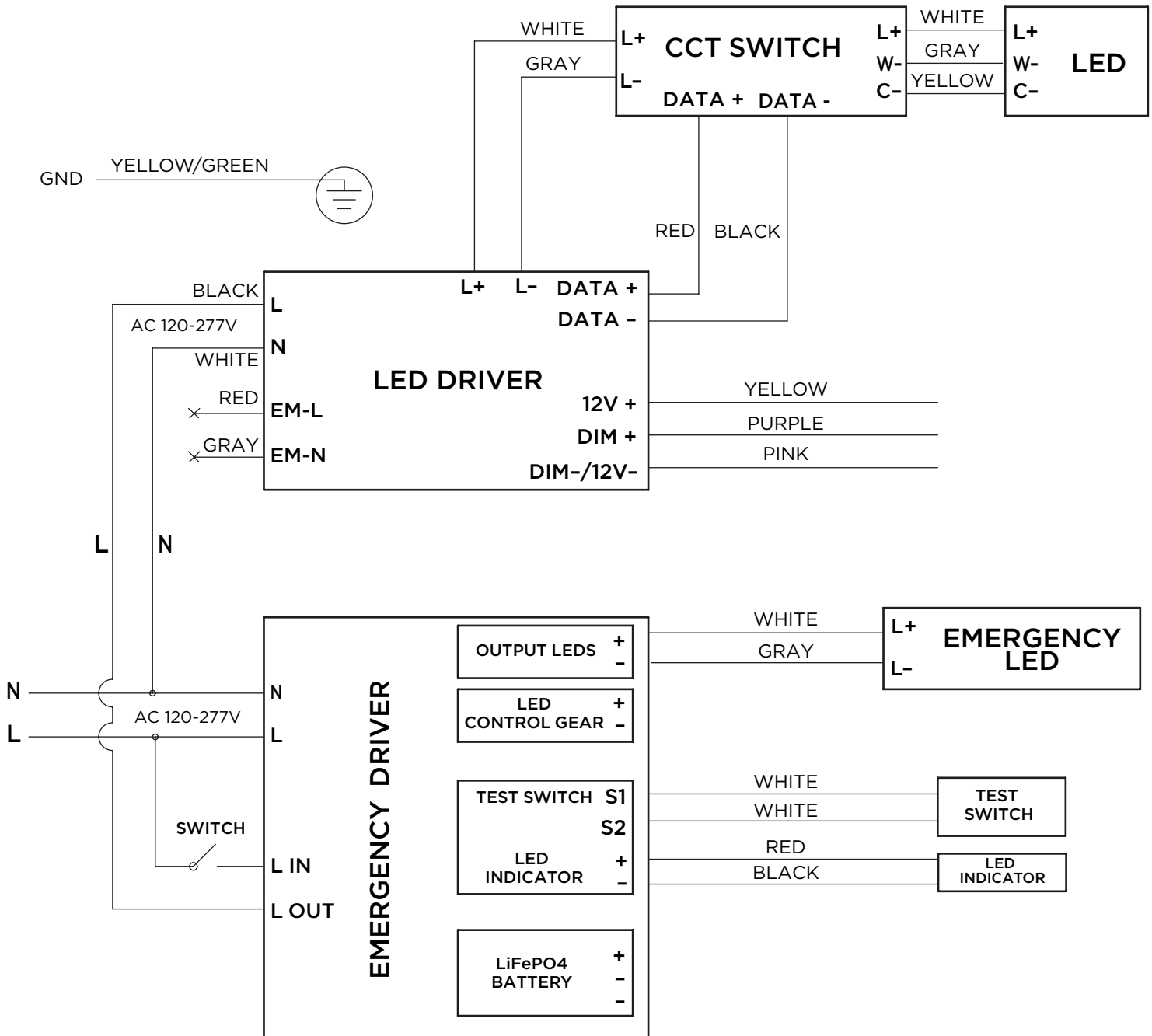




MaxLite® FMP Series Puff Ceiling Fixture
120-277V w/ Motion Sensor and/or Emergency Battery Back-up

Wiring Diagram

120-277V (0-10V Dimming)





MaxLite® FMP Series Puff Ceiling Fixture

120-277V w/ Motion Sensor and/or Emergency Battery Back-up

Installation Instructions

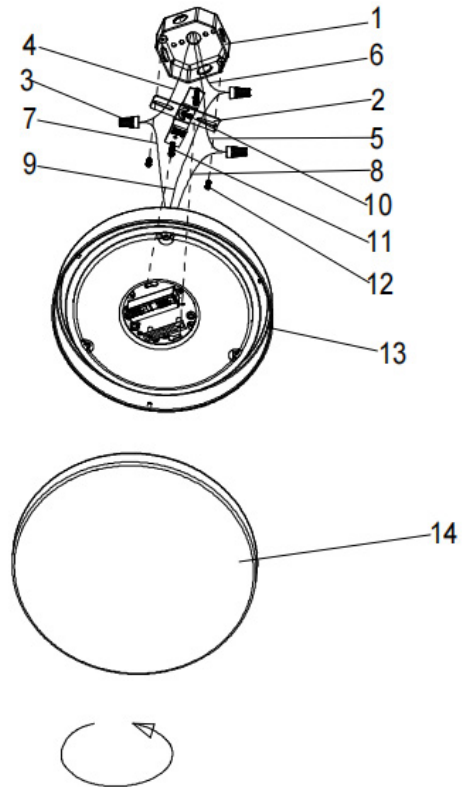
WARNING: THIS PRODUCT MUST BE INSTALLED IN ACCORDANCE WITH THE APPLICABLE INSTALLATION CODE BY A PERSON FAMILIAR WITH THE CONSTRUCTION AND OPERATION OF THE PRODUCT AND THE HAZARDS INVOLVED.

Installation Schematic:

1	Junction Box
2	Mounting Bracket
3	P3 Wire connectors
4	MAIN - WHITE (N) Wire
5	MAIN - BLACK (+) Wire

6	MAIN - GROUND Wire
7	FIXTURE - WHITE (N) Wire
8	FIXTURE - BLACK (+) Wire
9	FIXTURE - GROUND Wire
10	Adjustment Screws – M4*6

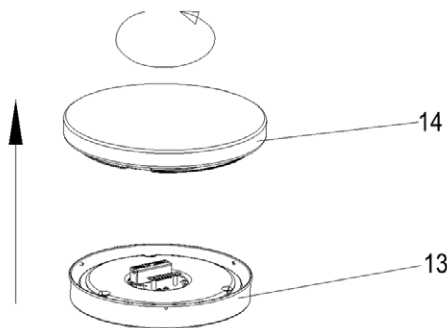
11	Fixture Mounting Screws M4*38
12	Fixture Mounting Screws #8-32*15
13	Base Plate
14	Lens



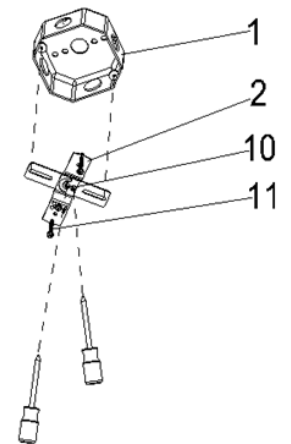
Tools Required: Phillips Screwdriver; Ladder, PPE - Eye Protection

Note: Before beginning installation of the product, make sure all parts are present. If any part is missing or damaged, do not attempt to assembly, install or operate the product. Contact customer service for replacement parts.

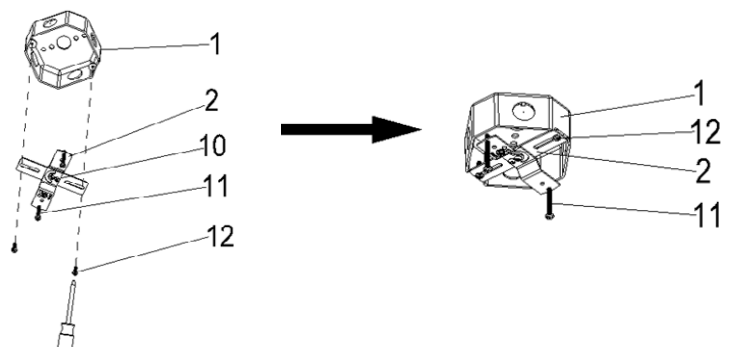
1. Gently hold the **lens (14)** and rotate it counterclockwise to detach it from the **fixture base plate (13)**.



2. Take out the **mounting bracket (2)** from the accessory package, use a screwdriver to loosen the two **adjustment screws (10)** located in the middle of the mounting bracket, allowing to adjust the angle of the mounting bracket. Adjust the angle of the **mounting bracket (2)** until the two slotted holes on the bracket align precisely with the screw holes on the **junction box (1)**, ensure the two **fixture mounting screws M4*38 (11)** on the **mounting bracket (2)** do not interfere with the junction box during alignment. Once alignment is confirmed and no interference exists, using a screwdriver to tighten the two **adjustment screws (10)** to secure the angle.



3. Take out the two **fixture mounting screws (12)** from the accessory package, position the **mounting bracket (2)** against the junction box, insert both **screws (12)** through the elongated slotted holes on the **mounting bracket (2)**, aligning them with the screw holes on the **junction box (1)** as illustrated. Adjust the horizontal position of the **mounting bracket (2)** by sliding the **screws (12)** within the elongated slotted holes. Tighten the **screws (12)** to firmly lock the **mounting bracket (2)** onto the junction box.



The **mounting bracket (2)** is only compatible with junction boxes ≤ 4 inches in size, incompatible with junction boxes exceeding 4 inches in dimension or hole spacing.

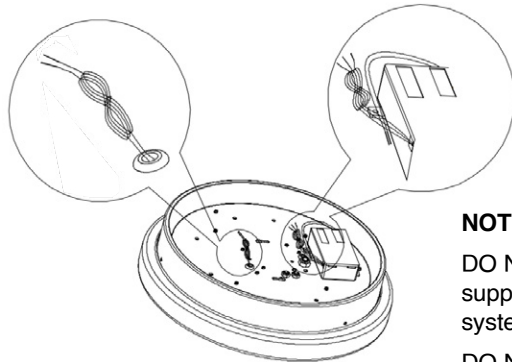
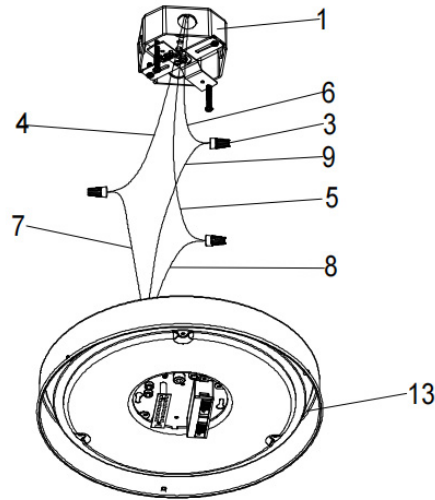


MaxLite® FMP Series Puff Ceiling Fixture

120-277V w/ Motion Sensor and/or Emergency Battery Back-up

Installation Instructions – continued

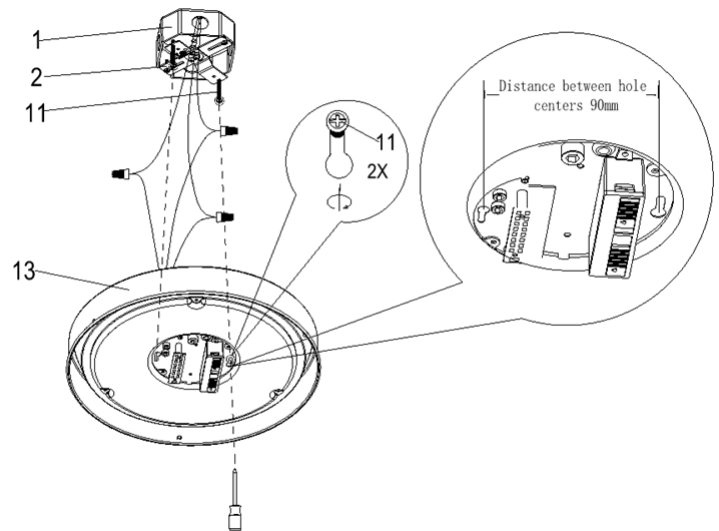
4. Take out the three **wire connectors (3)** from the accessory package, use the wire connectors to connect the MAIN wires, FIXTURE wires and GROUD wires as follows:
- MAIN WHITE (N) **wire (4)** → Fixture WHITE (N) **wire (7)**
 - MAIN BLACK (+) **wire (5)** → Fixture BLACK (+) **wire (8)**
 - MAIN GROUND **wire (6)** → Fixture YELLOW-GREEN **ground wire (9)**
- After wiring, neatly organize all wires inside the **junction box (1)**



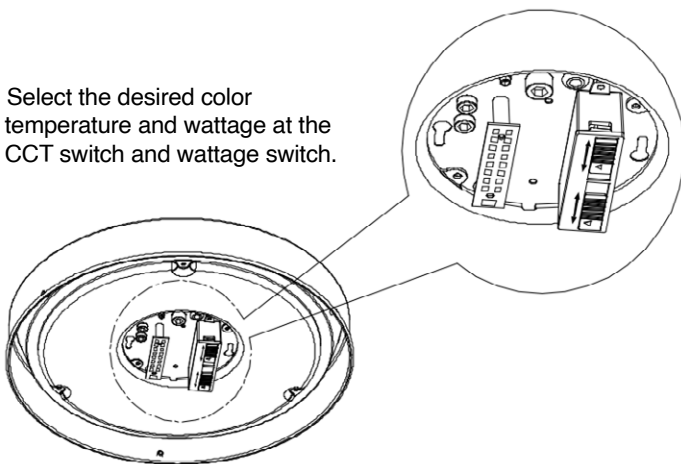
NOTE

DO NOT connect the wires with heat shrink tubing at the end (as illustrated) to the main power supply lines under any circumstances. These wires are reserved exclusively for emergency power systems (e.g., battery backups) or external sensors/control modules (e.g., motion sensors).
DO NOT remove the adhesive label on the back side of the base plate.

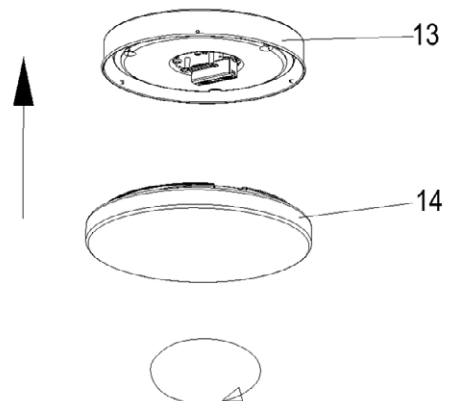
5. Align the fixture **base plate (13)** with the **junction box (1)**, ensuring the backside of the base plate faces the junction box. Position the two arc-shaped keyholes (90mm spacing) on the base plate over the fixture **mounting screws (11)** on the **mounting bracket (2)**. Push the base plate upward to slide the screw heads through the wider openings of the keyholes. Rotate the base plate slightly to lock the screw heads into the narrower sections of the keyholes. Tighten both screws with a screwdriver until the base plate is securely flush against the ceiling and no longer wobbles.
This base plate can only be installed on screw positions with a hole spacing of 90mm.



6. Select the desired color temperature and wattage at the CCT switch and wattage switch.



7. Vertically align the open end of the **lens (14)** with the fixture **base plate (13)**. Insert the lampshade by matching its three slots to the three mounting posts on the base plate. Rotate the lampshade clockwise until it locks securely into place.





MaxLite® FMP Series Puff Ceiling Fixture 120-277V w/ Motion Sensor and/or Emergency Battery Back-up



The Nodes below are only compatible with 120-277V, 0-10V models.

CN-MGMST (Control Node - Rectangular Microwave Motion Sensor)

NNK-RTMSW (Network Microwave Sensor and Bluetooth)



To view CN-MGMST (Control Node - Rectangular Microwave Motion Sensor) data sheet, scan QR code:



To view NNK-RTMSW (Microwave Sensor and Bluetooth): data sheet, scan QR code:

NN-MGT (Network Node Magnet)



To view NN-MGT (Network Node Magnet) data sheet, scan QR code:

Warranty Information

Maxlite Inc. warrants its products for a minimum period of **FIVE (5)** years from the earlier of the actual installation date or 90 days after the original date of purchase from a Maxlite authorized distributor/dealer (the “Warranty Period”), as follows: If a Product fails to operate during the Warranty Period as a result of defects in materials or workmanship, Maxlite will, at its option, repair it, replace it with the same or like Product.

Please refer to Maxlite’s website (at <http://maxlite.com/resources/warranties>) for the complete coverage details as well as the terms and conditions of our warranty. Please note that it is NOT a requirement to register your warranty in order to initiate a warranty claim unless a Ten Year warranty has been purchased separately, or when applicable and/or purchased separately, your warranty contains a replacement labor allowance.

Limitation of Liability

THIS WARRANTY IS EXCLUSIVE, AND IS THE SOLE REMEDY FOR ANY AND ALL CLAIMS, WHETHER IN CONTRACT, IN TORT OR OTHERWISE ARISING FROM THE FAILURE OF PRODUCT AND IS IN LIEU OF ALL OTHER WARRANTIES, EXPRESS OR IMPLIED, INCLUDING ALL WARRANTIES OF MERCHANTABILITY OR FITNESS FOR A PARTICULAR PURPOSE, WHICH WARRANTIES ARE HEREBY EXPRESSLY DISCLAIMED TO THE EXTENT PERMITTED BY LAW AND, IN ANY EVENT, SHALL BE LIMITED TO THE WARRANTY PERIOD SPECIFIED ABOVE. THE LIABILITY OF MAXLITE SHALL BE LIMITED TO THE TERMS OF THE EXPRESS WARRANTY SET FORTH HEREIN. IN NO EVENT WILL MAXLITE BE LIABLE FOR ANY SPECIAL, INCIDENTAL OR CONSEQUENTIAL DAMAGES INCLUDING, WITHOUT LIMITATION, DAMAGES RESULTING FROM LOSS OF USE, PROFITS, BUSINESS OR GOODWILL, LABOR COSTS, REMOVAL OR INSTALLATION COSTS, WHETHER OR NOT MAXLITE HAS BEEN ADVISED OF THE POSSIBILITY THEREOF. UNDER NO CIRCUMSTANCES SHALL MAXLITE’S ENTIRE LIABILITY FOR A DEFECTIVE PRODUCT EXCEED THE PURCHASE PRICE OF THAT PRODUCT (EXCLUDING LABOR WARRANTY COVERAGE WHERE SPECIFICALLY OFFERED BY MAXLITE). WARRANTY SERVICES PROVIDED UNDER THESE TERMS AND CONDITIONS DONOT ENSURE THE UNINTERRUPTED OPERATION OF PRODUCTS; MAXLITE SHALL NOT BE LIABLE FOR DAMAGES CAUSED BY ANY DELAYS INVOLVING WARRANTY SERVICE.

This Warranty gives you specific legal rights and you may also have other rights that may vary from state to state. Because some states or jurisdictions do not allow the exclusion or limitation of liability for consequential or incidental damages, such limitation may not apply to you.