



GAST MANUFACTURING, INC.
 A Unit of IDEX Corporation
 Post Office Box 97
 Benton Harbor, Michigan
 Ph: 269/926-6171
 Fax: 269/925-8288

PART NUMBER:

LTD139A

REV.

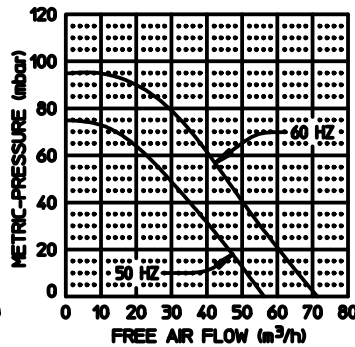
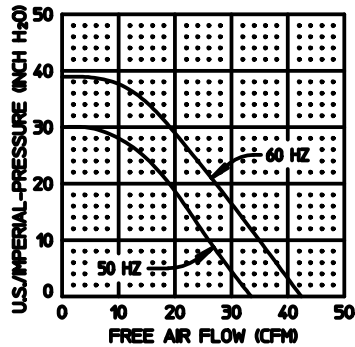
B

MODEL NUMBER	MOTOR SPECIFICATIONS	RPM	MAX VAC "H ₂ O mbar		MAX PRESS "H ₂ O mbar		HP	kW	NET W.T. lbs. kg
R2103NX	110/220 - 240 50-1	2850	25	62	30	75	1/5	0.15	23.5 8.77
	115/208 - 230 60-1	3450	35	87	39	97	1/3	0.25	

SOUND LEVEL 63/59 dB(A) MAX. @ 60/50 Hz
 NORMAL AMBIENT -29°C TO 40°C
 RELATIVE HUMIDITY 0% - 100% NON CONDENSING
 ENVIRONMENT CLEAN DUST FREE

NOTES:
 1. TECHNICAL DATA SUBJECT TO CHANGE WITHOUT NOTICE.

Product Performance (Metric U.S. Imperial)

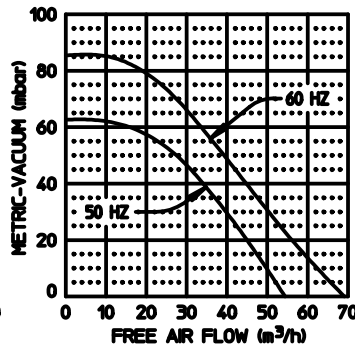
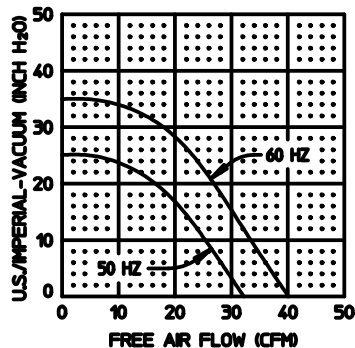


PERFORMANCE DATA
 THE PERFORMANCE DATA SHOWN WAS DETERMINED
 UNDER THE FOLLOWING CONDITIONS:

LINE VOLTAGE @ 60 Hz. 230V OR 460V FOR 3 PHASE
 UNITS. 115V OR 230V FOR 1 PHASE UNITS.

LINE VOLTAGE @ 50 Hz. 220V FOR 3 PHASE OR 1
 PHASE UNITS.

UNITS IN A TEMPERATURE STABLE CONDITION.



DELIVERY MEASUREMENTS MADE WITH OUTPUT PORT
 THROTTLED.

SUCTION MEASUREMENTS MADE WITH INPUT PORT
 THROTTLED.

TEST CONDITIONS: INLET AIR DENSITY @ 0.075 lbs. per
 cu. ft. [20°C (68°F), 29.92" Hg (14.7 PSIA)].

NORMAL PERFORMANCE VARIATIONS ON THE RESISTANCE
 CURVE WITHIN 0%10% OF SUPPLIED DATA CAN BE EXPECTED.

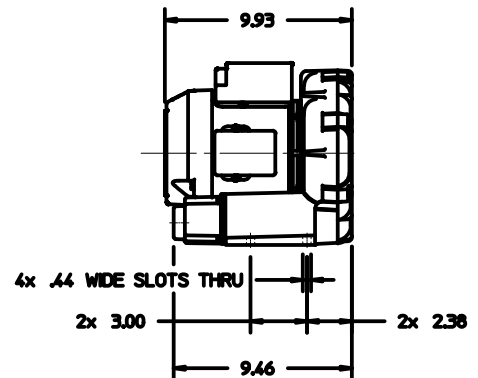
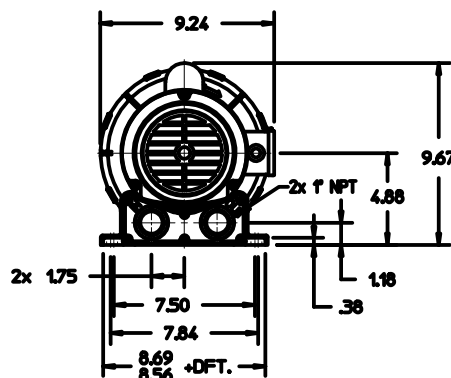
Low Voltage, Single Phase

- Blue P1 Line
- Brown P2
- Black 5 ——— Tie Together
- Orange 3 ——— Insulate
- White 2 ——— Tie Together
- Yellow 4 ——— Line

High Voltage, Single Phase

- Blue P1 Line
- Brown P2 Insulate
- Black 5 ——— Tie Together
- Orange 3 ——— Insulate
- White 2 ———
- Yellow 4 Line

Product Dimensions U.S. Imperial (inches)



Wiring Diagram