



WORLDWIDE ELECTRIC MOTOR DATA SHEET

PEWWE2-12-184T



HORSEPOWER	2		
RPM / POLES	1200 / 6		
VOLTAGE / PHASE	230 / 460 V / 3		
FRAME	184T		
ENCLOSURE / DEGREE OF PROTECTION	TEFC / IP55		
FREQUENCY	60 HZ Suitable For 50 HZ Operation With 1.0 SF		
FULL LOAD SPEED	1180 RPM		
SERVICE FACTOR	1.25		
INSULATION CLASS	F		
FULL LOAD AMPS; 230 / 460	5.96 / 2.98 A (Usable On 208V At 6.59 A)		
LOCKED ROTOR AMPS (STARTING); 230 / 460	50 / 25 A		
NO LOAD CURRENT	3.7 / 1.85 A		
NEMA CODE LETTER	L		
EFFICIENCY / POWER FACTOR	<u>LOAD</u>	<u>EFF.</u>	<u>P.F.</u>
	100 %	88.5%	0.71
	75 %	88.3%	0.62
	50 %	86.7%	0.50
DUTY CYCLE	S1 / Continuous		
TORQUE	<u>FULL LOAD</u>	<u>LRT</u>	<u>BDT</u>
	8.9 lb.ft.	230%	330%
SLIP	1.67 %		
NEMA DESIGN	B		
MOMENT OF INERTIA	0.462 lb.ft. ²		
MAX. TIME LOCKED ROTOR (Hot)	8 Seconds		
SOUND PRESSURE LEVEL	62 dB (A)		
MAX. AMBIENT TEMPERATURE	40° C		
MAX. ELEVATION	3300 Ft.		
TEMPERATURE RISE (At Full Load)	80° C		
DE BEARING	6206ZZ C3		
ODE BEARING	6206ZZ C3		
REGREASING INT. - DE BEARING	---		
REGREASING INT. - ODE BEARING	---		
GREASE TYPE	SKF LGHP 2		
MOUNTING	F1 (F2 Suitable)		
ROTATION	Bi-Directional		
SHAFT MATERIAL	1045 Carbon Steel		
INVERTER RATING	10:1 CT / 20:1 VT PWM Type		
CONNECTION DIAGRAM	230 / 460 V - 9 Lead Y		
AREA CLASSIFICATION	Class I, Division 2, Groups A, B, C, D		
APPROXIMATE WEIGHT	100 lbs.		



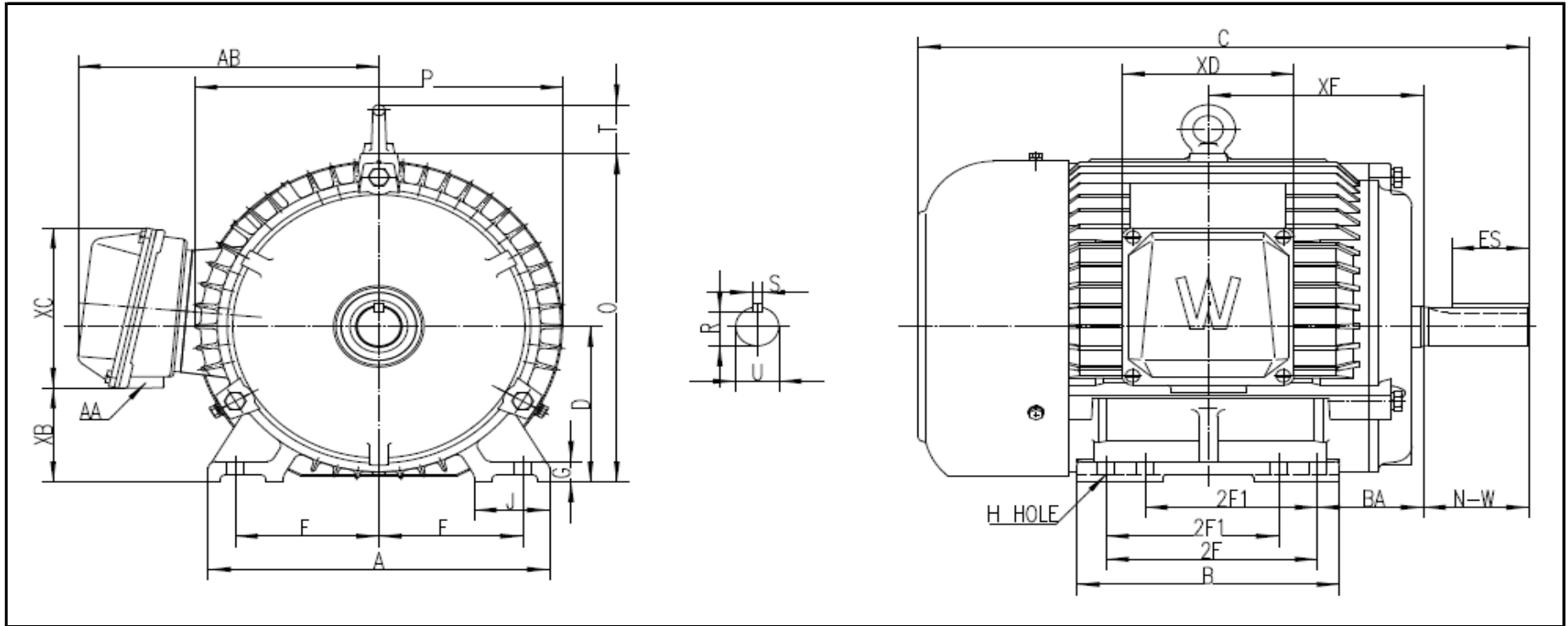
CC006A





WORLDWIDE ELECTRIC MOTOR DRAWING

PEWWE-184T



DIMENSIONS - INCHES

MOUNTING					A	B	C	D	G	J	P	O	T	AB
E	2F1	2F2	H	BA										
3.75	4.5	5.5	0.41	2.75	9	7	16	4.5	0.6	2	9.7	9.5	1.42	8

KEY		KEYSET	SHAFT		TERMINAL BOX				
S	ES	R	N-W	U	AA	XB	XC	XD	XE
0.25	1.78	0.986	2.75	1.125	1	2.2	5.1	4.6	5.5

REVISED - 03/29/18