

KT-DDHBLDT8-4-4L

4' LAMP LED HIGHBAY

DESCRIPTION

4' LED Tube Ready Highbay Fixture, 4 Lamp. (Lamps Sold Separately)



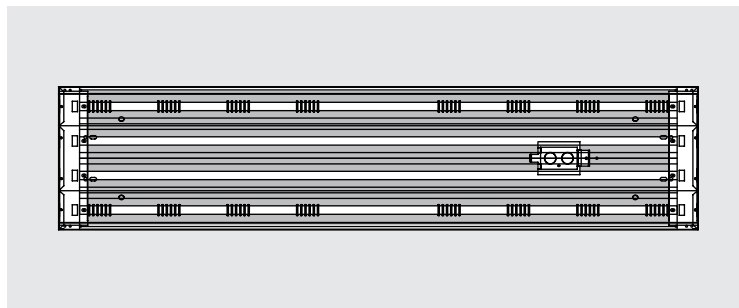
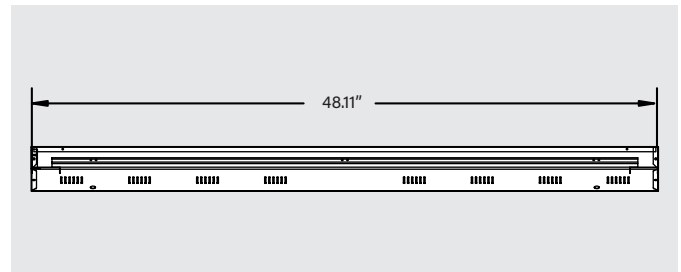
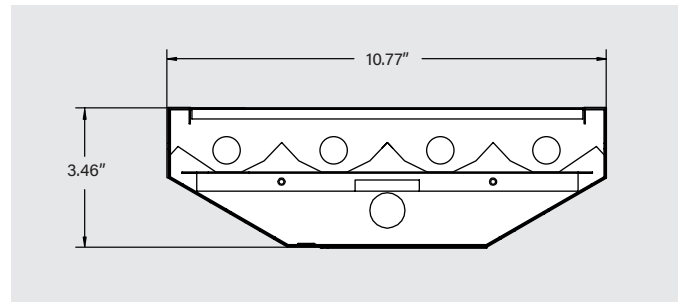
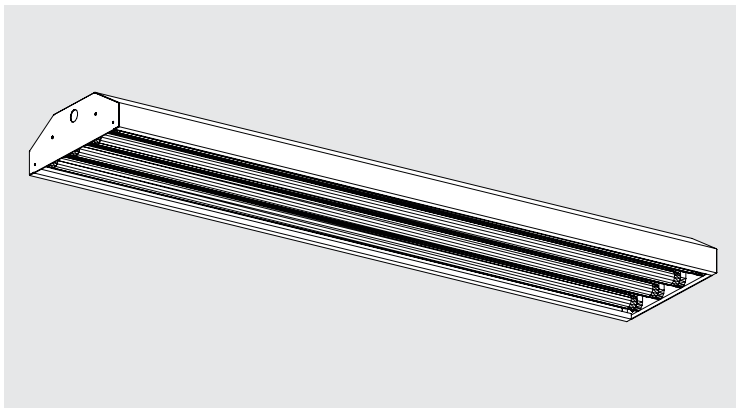
APPLICATION

Used for indoor highbay, lowbay, warehouse and general lighting applications.

PRODUCT FEATURES

- Designed for use with Single Ended Wiring (Type B) LED T8 tubes
- Post painted white steel body with mirror reflector
- Rated for Dry & Damp locations
- For use with Keystone Single Ended Wiring Direct Drive LED lamps: 25W Max per lamp

PHYSICAL SPECIFICATIONS



Note: In order for UL safety certification to be valid, only Keystone lamps may be installed in the fixture as per product label.



KT-DDHBLEDT8-4-4L

4' LAMP LED HIGHBAY

ORDERING INFORMATION

CATALOG NUMBER	CARTON QTY.	EASY CODE	UPC
KT-DDHBLEDT8-4-4L	1	DPA-62	843654121109

CATALOG NUMBER BREAKDOWN

KT-DDHBLEDT8-4-4L

1	2	3	4	5	6
---	---	---	---	---	---

- 1 Keystone Technologies
- 2 Direct Drive High Bay LED
- 3 High Bay LED
- 4 T8 Tubes
- 5 4' Nominal Length
- 6 4 Lamps